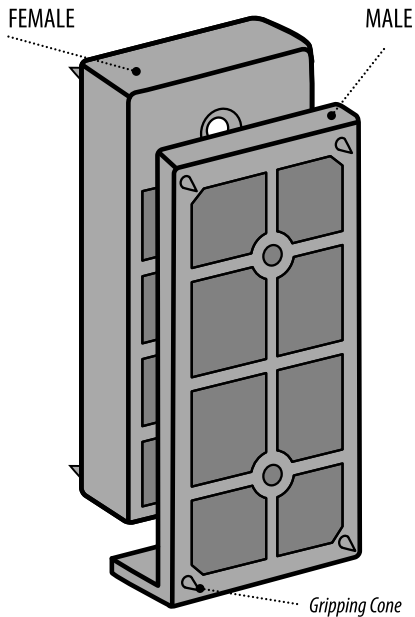
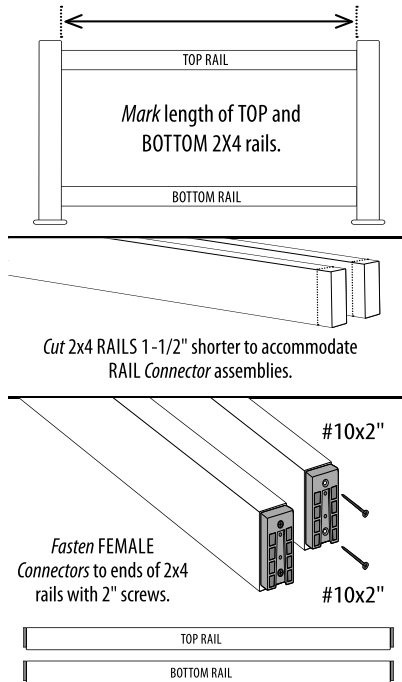


INSTALLATION | SHADOW RAIL CONNECTOR™ Level



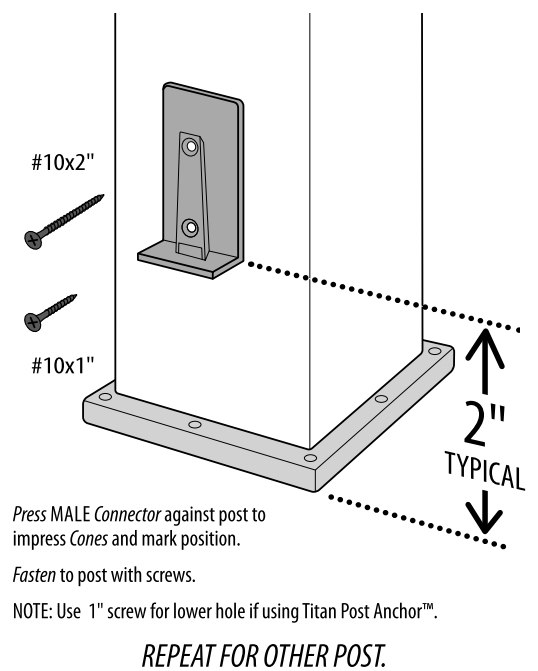
SHADOW RAIL CONNECTOR™
LEVEL ASSEMBLY

1 START

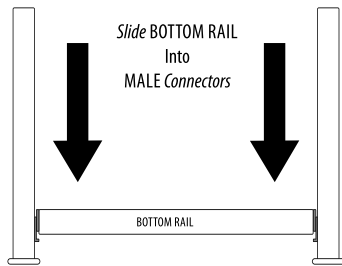


2

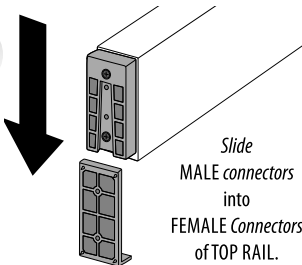
BOTTOM RAIL INSTALLATION



3



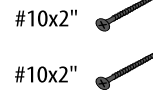
4



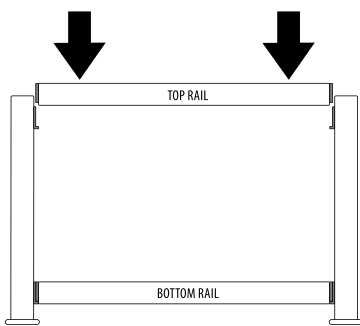
5

Fasten MALE Connector to post using 2" screws

REPEAT FOR OTHER POST.

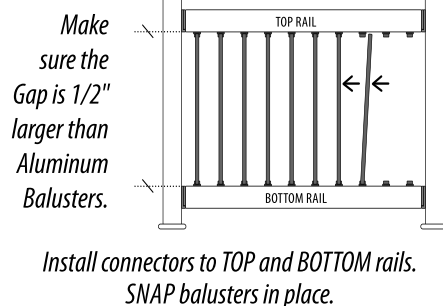


6



7

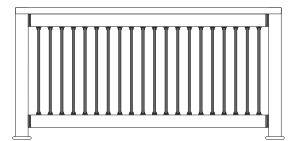
USING SNAP'N LOCK® BALUSTERS



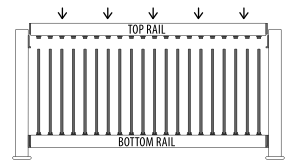
8

FINISHED

Optional 2x4 Cap Rail



USING OTHER BRANDS OF BALUSTER CONNECTORS
Install Balusters to BOTTOM Rail. Lower TOP Rail to align with HOLES or CONNECTORS with Each Baluster.



QUESTIONS? CONTACT US AT 1-866-577-8868 IN NO EVENT SHALL TITAN BUILDING PRODUCTS BE LIABLE FOR ANY LOSS OR DAMAGE, DIRECT OR OTHERWISE, WHICH RESULTS FROM THE IMPROPER INSTALLATION OR USE OF THIS PRODUCT. IF FOR ANY REASON TITAN BUILDING PRODUCTS BECOMES LIABLE FOR LOSS OR DAMAGE, DIRECT OR OTHERWISE, THE AGGREGATE LIABILITY OF TITAN BUILDING PRODUCTS SHALL BE LIMITED TO THE RETAIL PURCHASE PRICE OF THE PRODUCTS.

T 1-866-577-8868

TITAN BUILDING PRODUCTS
THE ART OF BUILDING
More Outdoor Beauty... Real easy.



www.titanbp.com