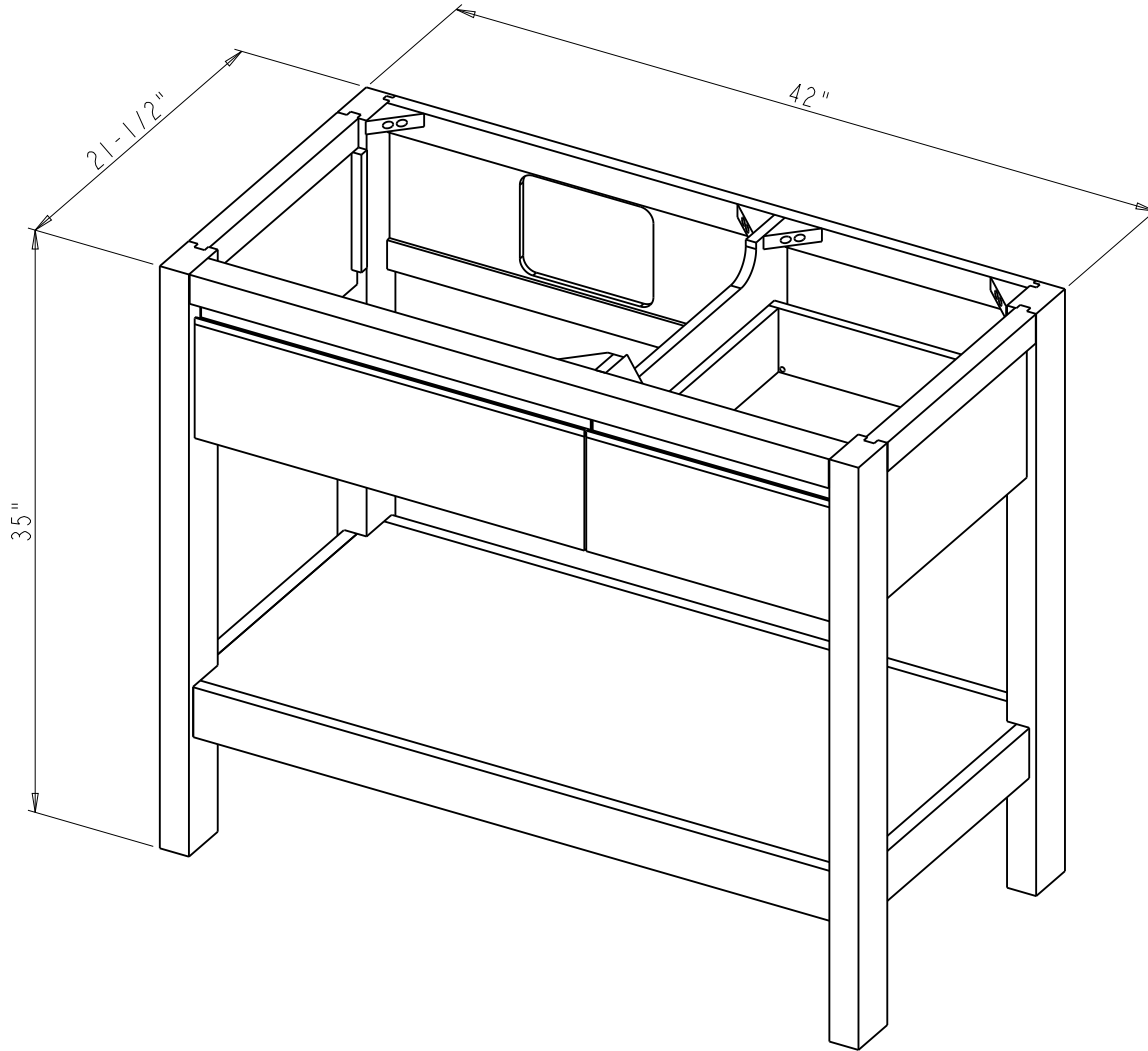



Specification:

1. Finish: See Table
2. Hardware: See Table
3. Hinge: 700.0535.25 + 600.1234.05 ( 2 set )
4. Slide: USE58-300-18 + USCLIP2ND-4W ( 1 set )
5. Lid Stay ( 1 pcs )
6. The tolerance is +/- 1/8"

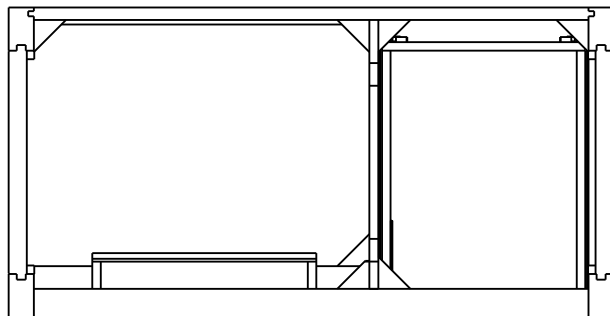
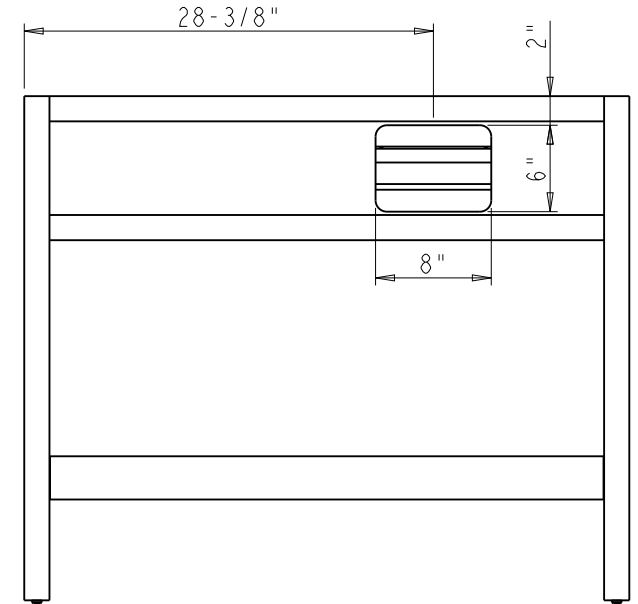
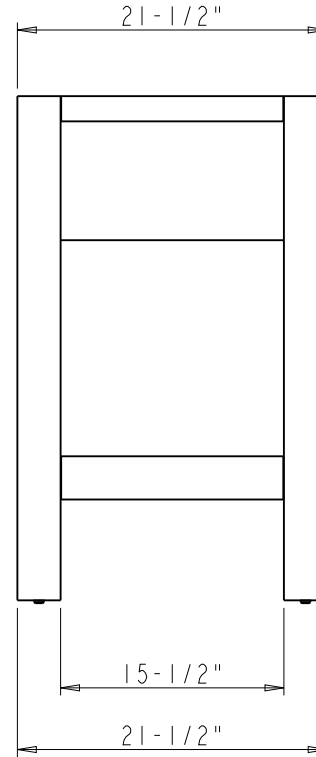
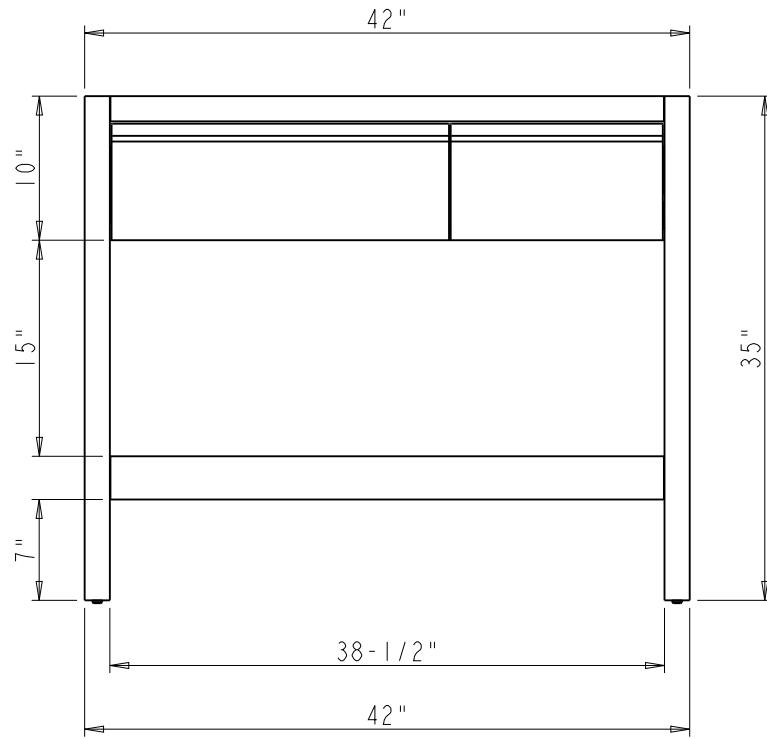
Item number	Finish	Deco Hardware	
		Item number	Qty
VN2JUB-42-DW-NT	Dark Walnut	Gola-style hardware-SBZ	2
VN2JUB-42-GR-NT	Grey	Gola-style hardware-MB	2
VN2JUB-42-NO-NT	Natural Oak	Gola-style hardware-MB	2
VN2JUB-42-WG-NT	Weathered Grey	Gola-style hardware-MB	2
VN2JUB-42-WH-NT	White	Gola-style hardware-MB	2


<p><b>hardware resources</b></p> <p><small>PROPRIETARY AND CONFIDENTIAL</small></p> <p><small>THE INFORMATION CONTAINED IN THIS DRAWING IS THE SOLE PROPERTY OF HARDWARE RESOURCES INC. ANY REPRODUCTION IN PART OR AS A WHOLE WITHOUT THE WRITTEN PERMISSION OF HARDWARE RESOURCES INC. IS PROHIBITED.</small></p> <p><small>DO NOT SCALE DRAWING</small></p>	ITEM#: VN2JUB-42	MATERIAL:	
	FINISH:	WEIGHT: 9	
	TOLERANCE UNLESS OTHERWISE SPECIFIED: X ±0.20 X.X ±0.10 X.XX ±0.05 ANGULAR: ±0.5°	UNITS: DRAWN BY: <b>Hugo.cai</b> APPROVED BY:	DATE: Jan-15-23
	SHEET:	RELEASE LEVEL:	REVISION:



 <b>PROPRIETARY AND CONFIDENTIAL</b> THE INFORMATION CONTAINED IN THIS DRAWING IS THE SOLE PROPERTY OF HARDWARE RESOURCES INC. ANY REPRODUCTION IN PART OR AS A WHOLE WITHOUT THE WRITTEN PERMISSION OF HARDWARE RESOURCES INC. IS PROHIBITED.	ITEM#: VN2 JUB - 42		MATERIAL:		
	FINISH:		WEIGHT: 9		
	TOLERANCE UNLESS OTHERWISE SPECIFIED: X ±0.20 X.X ±0.10 X.XX ±0.05 ANGULAR: ±0.5°		UNITS:	DRAWN BY: <i>Hugo.cai</i>	DATE: Jan-15-23
	DO NOT SCALE DRAWING		SIZE:	APPROVED BY:	DATE:
		SHEET:	RELEASE LEVEL:	REVISION:	





	ITEM#: VN2JUB-42		MATERIAL:	
	FINISH:		WEIGHT: 9	
<b>PROPRIETARY AND CONFIDENTIAL</b> THE INFORMATION CONTAINED IN THIS DRAWING IS THE SOLE PROPERTY OF HARDWARE RESOURCES INC. ANY REPRODUCTION IN PART OR AS A WHOLE WITHOUT THE WRITTEN PERMISSION OF HARDWARE RESOURCES INC. IS PROHIBITED.	TOLERANCE UNLESS OTHERWISE SPECIFIED: X ±0.20 X.X ±0.10 X.XX ±0.05 ANGULAR: ±0.5°		UNITS: DRAWN BY: APPROVED BY: SHEET:	DATE: Jan-15-23 DATE: REVISION:
	DO NOT SCALE DRAWING		RELEASE LEVEL:	

