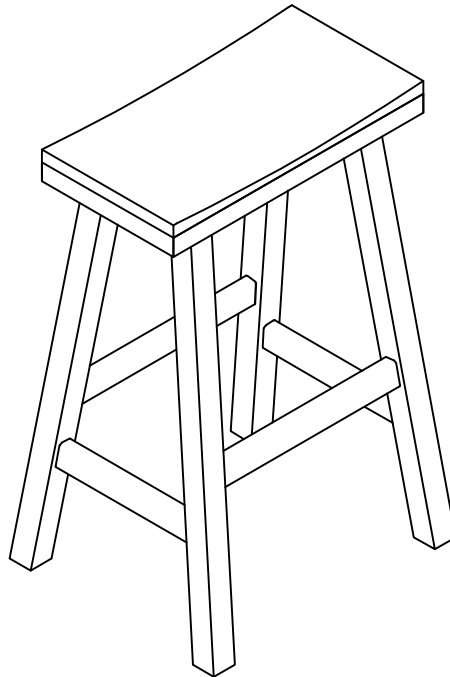


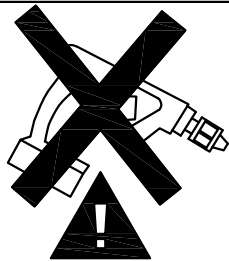
## ASSEMBLY INSTRUCTION

### Bar Stool / Counter Stool

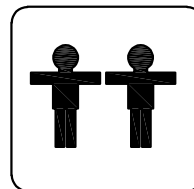


#### REPLACEMENT PARTS

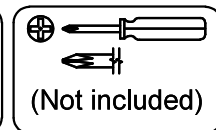
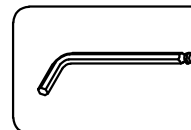
*Please do not contact the company purchased from as we can help you faster.  
Order replacement parts and hardware at "[www.TeamCustomerService.com](http://www.TeamCustomerService.com)"*



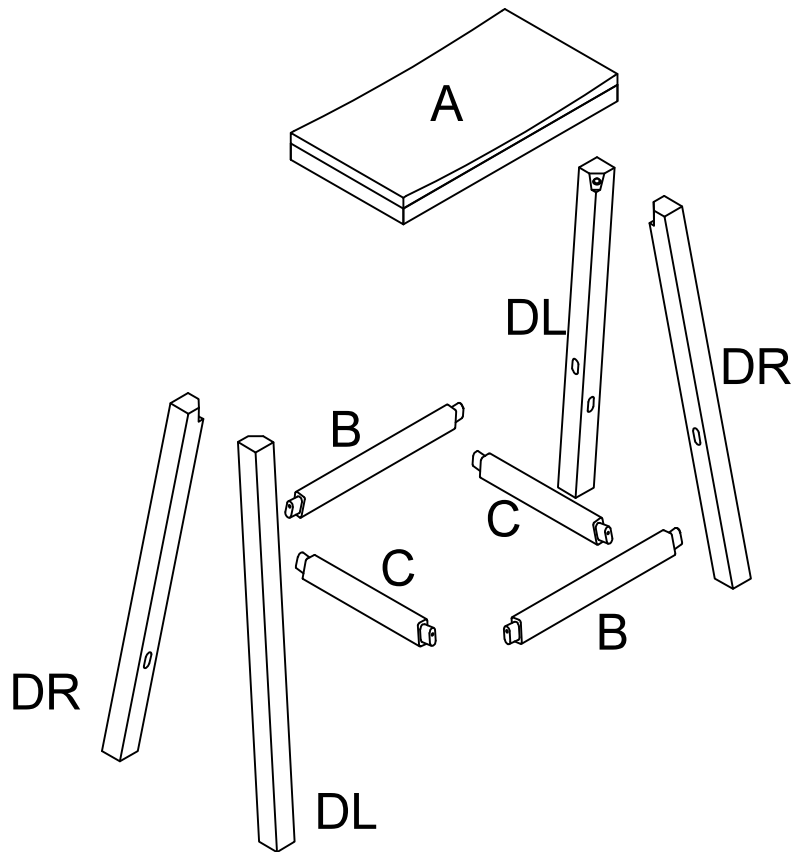
**. Use of power tool to assemble this product will invalidate any claim and damage this product making it unsafe !!!**  
**. Please assemble on a clean soft surface to avoid damage.**



#### Tools Required



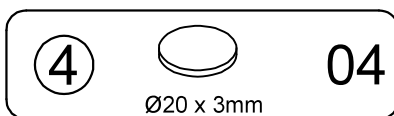
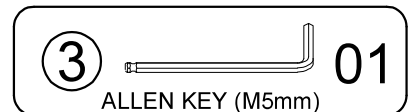
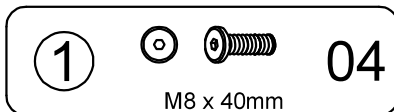
## Part list - Bar Stool / Counter Stool



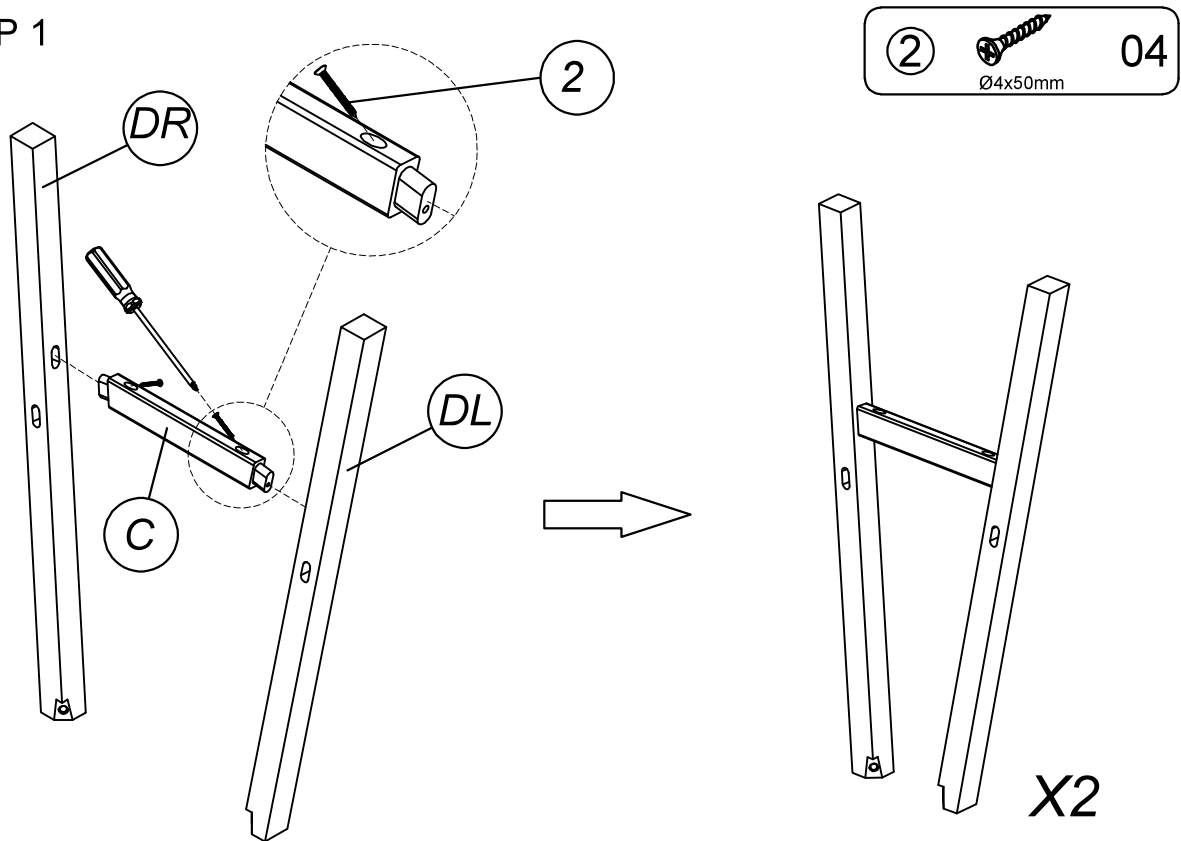
### Assembly Tips:

- \* Do not tighten screws and bolts until final steps of the assembly
- \* This assembly may require additional help (2 person set up)

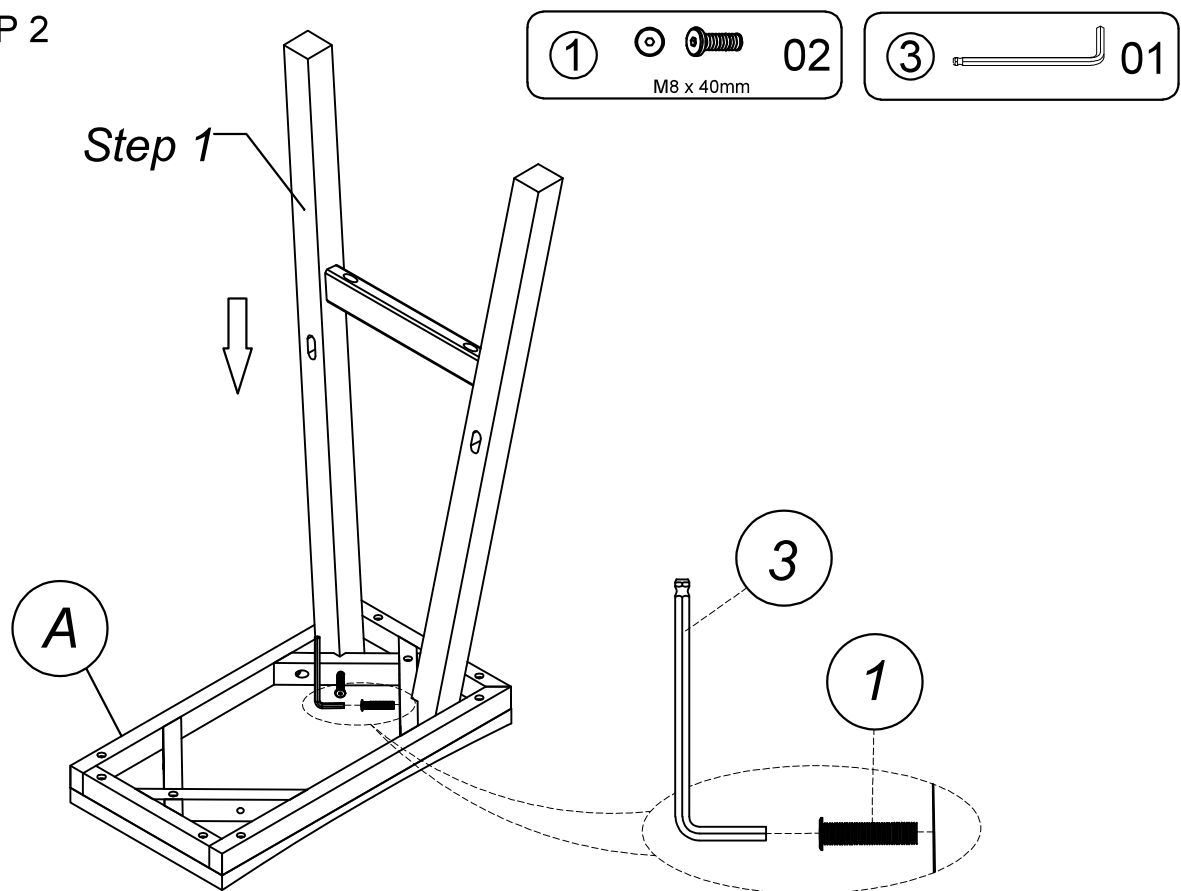
**Identifying the hardware**-Identify the hardware using the illustrations below



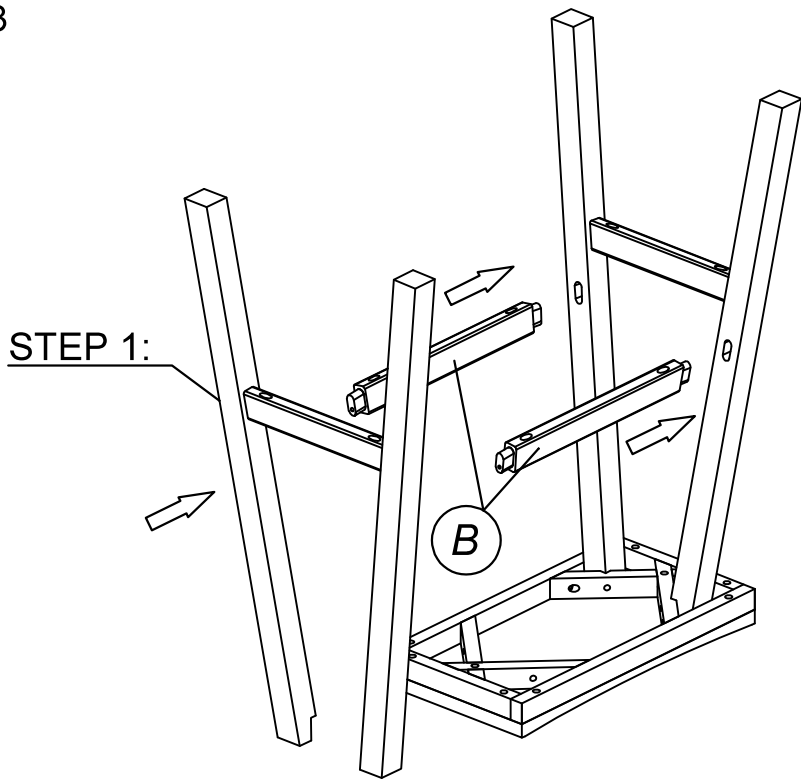
STEP 1



STEP 2




STEP 3



STEP 4

①		02	②		04	③		01
	M8 x 40mm			Ø4x50mm				

④		04
---	---	----

