

HEKMAN®

A HOWARD MILLER COMPANY
Grand Rapids, Michigan

INSTALLATION INSTRUCTIONS

Pattern Description 24922 armchair









DO NOT SCALE SKETCHES
COPYRIGHT 1997 HEKMAN FURNITURE COMPANY

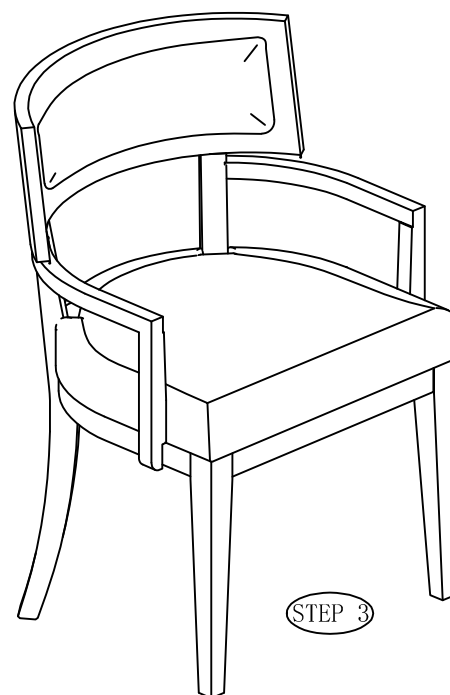
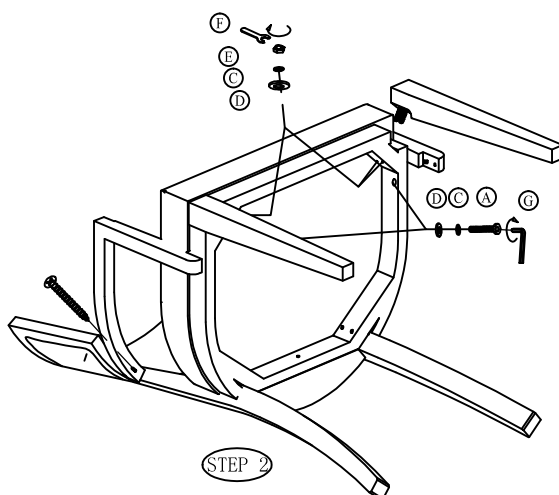
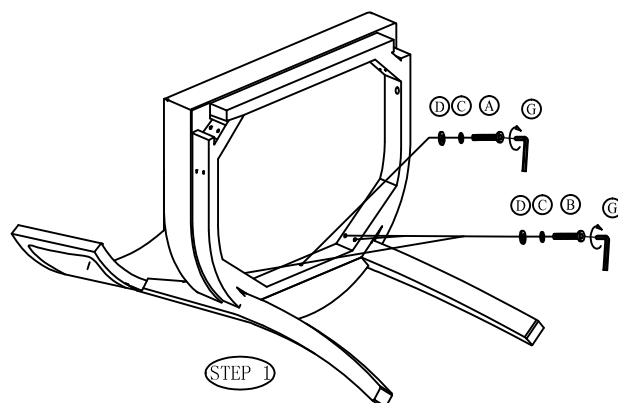
Pattern Number(s)

24922

Drawn By INY

Date 8/1/17

| PARTS | | | Q' TY |
|-------|---|-------------|-------|
| A |  | 5/16*1-3/4" | 3 |
| B |  | 5/16*3" | 4 |
| C |  | 5/16 " | 11 |
| D |  | 5/16 " | 11 |
| E |  | 5/16 " | 4 |
| F |  | 13MM | 1 |
| G |  | 5MM | 1 |
| H |  | 8*1-1/2" | 2 |



TO ASSEMBLE: (Two people required)

Step 1: Place the Chair Back on a padded surface, and assemble the Chair Seat to the Chair Back (as shown in Step 1), using one short bolts (A) and four long bolts (B) with five lock washers (C) and five flat washers (D) tighten with the wrench (G). Do not fully tighten any bolts until after chair has been completely assembled.

Step 2: Attach both front legs to the seat frame using four nuts (E), and four lock washers (C) and four flat washer (D) Tighten with the wrench (F).

Attach both the front of the arm to the seat frame through the threaded hole on its bottom using two short bolt (A) with two lock washer (C) and flat washer (D) with the wrench (G).

Attach both the top of the arm to the back of the chair using two wood screw (H) from the inside.