

INTEGRITY TESTING LABORATORIES

A Division of Ergo Labs, Inc.

CLIENT:

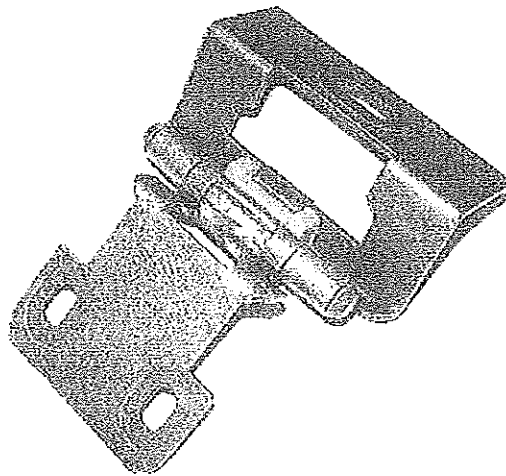
Hardware Resources
4319 Marlena Street
Bossier City, LA 71111
Attention: Grant Knuckolls

LABORATORY NO: F1006181-1
DATE: July 6, 2010
CLIENT P.O. NO.: letter, G. Knuckolls
STANDARD: ANSI/KCMA A161.1-01

SAMPLE: SELF CLOSING HINGE, P/N H6441

ABSTRACT

This report serves to document the testing of the above sample to all applicable hinge test paragraphs of ANSI/KCMA A161-01, American national standards for kitchen and vanity cabinets. Test procedures include a hinge permanent set test, hinge operating life test, and a self-closing test. The remainder of this report will show how the hinge samples submitted for testing exceeded all of the requirements needed for conformance to this standard.



Self-Closing Hinge, P/N H6441

3911 E. LaPalma, Suite E, Anaheim Hills, CA 92807 Phone: (714) 630-2363 Fax: (714) 630-2256

This report applies only to the sample or samples submitted for testing and is not necessarily indicative of the quality or condition of apparently identical or similar products. As a mutual protection to clients, the public, or these laboratories, this report is submitted and accepted for the exclusive use of the client to whom it is addressed, and upon that condition that it not be used, in whole or in part, in any advertising or publicity matter without prior written authorization from these laboratories.

C:\My Documents\FURNITURE REPORTS\Hardware resources\F1006181-1 Hinge-H6641 KCMA.doc

INTEGRITY TESTING LABORATORIES,

A division of ErgoLabs, Inc.

Hardware Resources
Laboratory No. F1006181-1
July 6, 2010
Page 2 of 2

OBSERVATIONS AND RESULTS

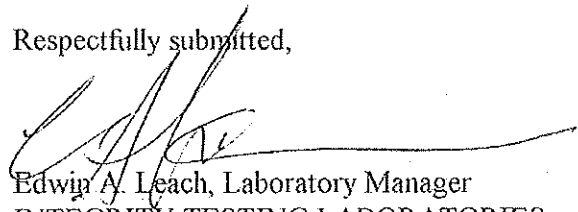
ANSI/KCMA A161.1-01

LABORATORY DETERMINATION	LABORATORY OBSERVATION	ANSI/KCMA A161.1-01 REQUIREMENT	TEST RESULT
Door Racking and Hinge Permanent Set Test Section 6.1	Vertical Deflection = 0.024"	0.065" maximum vertical deflection after 65 lb. test load.	PASS
Hinge Operating Life Cycle Test Section 6.2	Vertical Deflection = 0.005"	0.065" maximum vertical deflection after 25,000 cycles.	PASS

CONCLUSION

During the execution of the testing program, the model H6441 hinge performed well with no structural breakage or failure. This sample submitted for testing exceeded all of the hinge test requirements and **conforms** to ANSI/KCMA A161.1-01.

Respectfully submitted,



Edwin A. Leach, Laboratory Manager

INTEGRITY TESTING LABORATORIES, a division of ErgoLabs, Inc.

