

WARNING!



Be sure electrical power is OFF before and during installation or maintenance.
The luminaire must be installed by a qualified electrician, in accordance with all applicable local codes.

Ensure that the rated luminaire voltage requirements are compatible with the available mains supply in which it will be installed.
All LEDs are included in your lamp. Never touch the LED surface with your bare hands as this may reduce the life of your LED.
Do not alter, relocate or remove any electrical component.

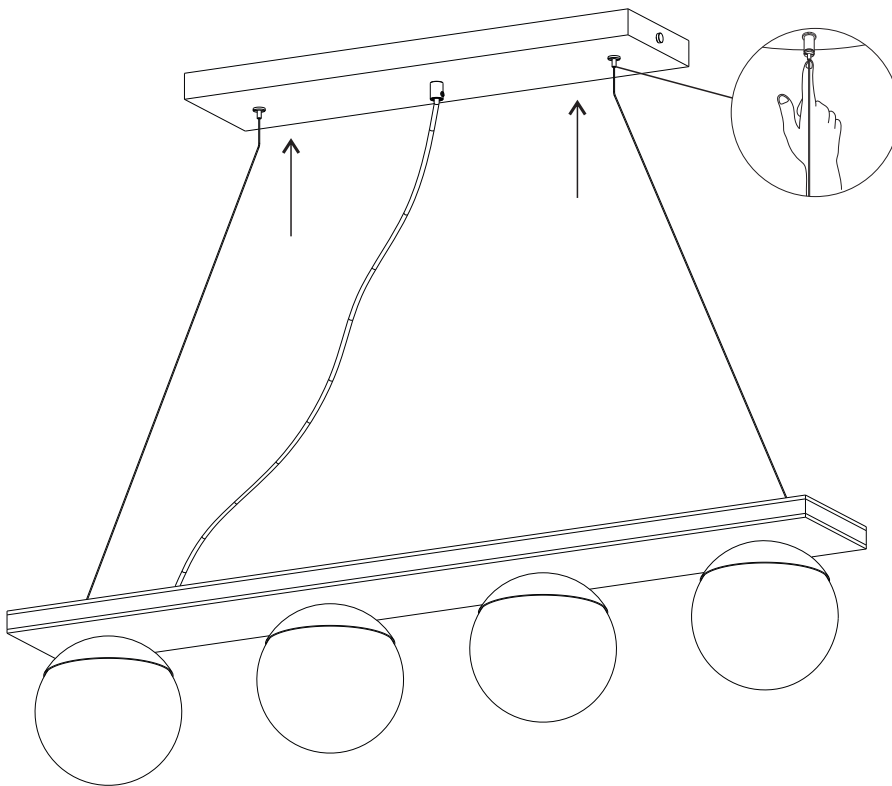
REF. / Light bulb
623 / 4x E-26

Material: Natural Wood Vener, MDF and Frosted Glass Globe

ASSEMBLING THE FIXTURE

Turn off the electrical power before starting the installation, and keep it turned off until the installation is completed.

This assembly may require the work of two people so it can be secure and well executed.

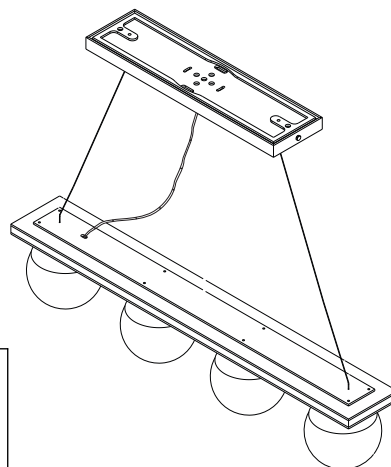


- ① Align and mark on the ceiling the position where the bushings shall be installed. Using an 8mm drill, make the holes on the ceiling and insert the plastic bushings on them.
- ② Insert the suspension cables on the cable grippers at the canopy.
- ③ To insert the cable and adjust the height, press the tip of the gripper while simultaneously sliding the cable in. When you release it, the gripper will lock the cable and anchor the fixture. Repeat this process with all the grippers, adjusting the height and leveling the fixture. Reserve the extra cables by wrapping it, or cut the excess. Keep in mind that if you cut it, it will limit the height adjustments in the future.

ADJUSTING THE FIXTURE HEIGHT

Choose the height (H) you want the luminaire to hang below the ceiling by pushing on the anchor to release tension. While pressing the tip, move the cable until it reaches the desired length. Release the tip and the cable will be locked again. Final adjustments can be made after the fixture is mounted.

Now you are ready to make the electrical connection.



ATTENTION!



FAILURE TO COMPLY WITH THESE INSTRUCTIONS MAY CAUSE ACCIDENTS AND LOSS OF PRODUCT WARRANTY.
It's recommended to read these instructions completely and carefully before proceeding.

SAVE THESE INSTRUCTIONS FOR FUTURE REFERENCE.

ACCORD Lighting guarantees coverage against manufacturing defects including electrical components and finishes, for a period of three years, under normal use, from the date of purchase. For warranty service, please contact your local dealer for further instructions. Proof of date of purchase will be required for validation of warranty service.

The responsibility of the manufacturer regarding the product warranty is related to the correct observation of the instructions contained in this manual. The manufacturer is not responsible for any damage to the product caused by accidents, alterations of any kind, improper usage or improper installation. See the website for additional warranty details.

ACCORD Lighting reserves the right to change the dimensions and specifications contained in this manual without prior notice, in accordance with its policy of continuous product improvement. Please, contact the manufacturer if additional information is necessary. The illustrations in this manual are for guidance only and may vary in scale, dimensions and model details.

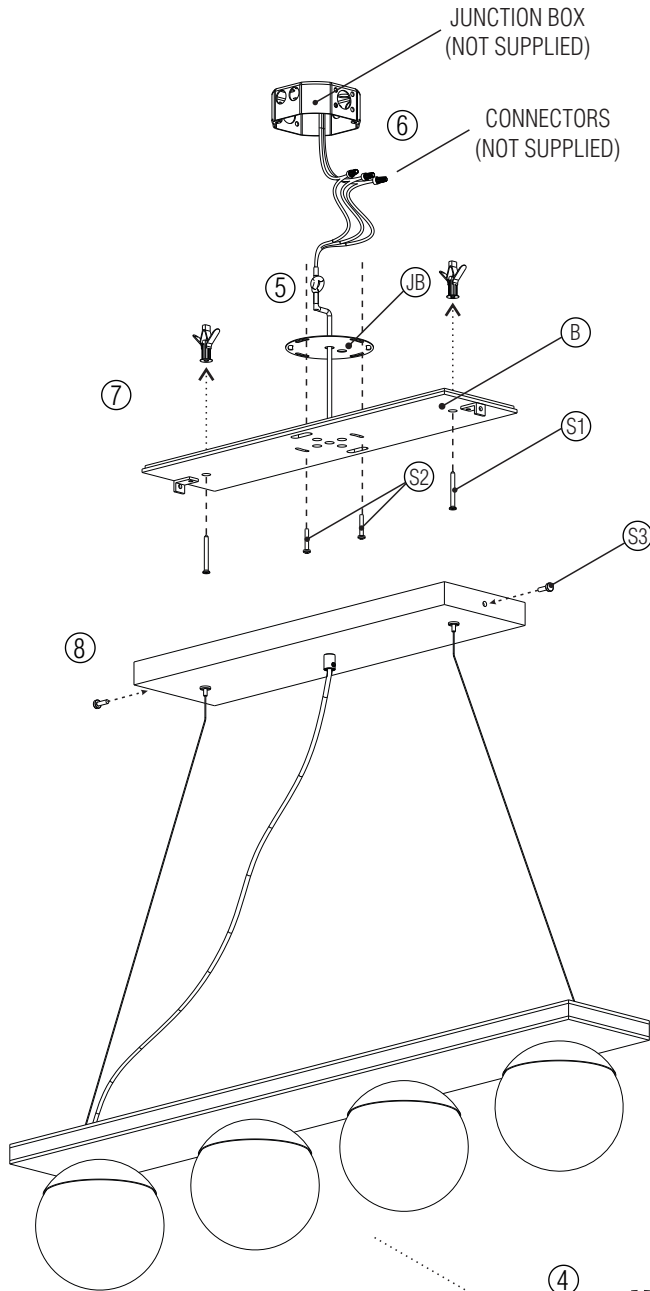
WARNING!



Be sure electrical power is OFF before and during installation or maintenance. The luminaire must be installed by a qualified electrician, in accordance with all applicable local codes.

Ensure that the rated luminaire voltage requirements are compatible with the available mains supply in which it will be installed. All LEDs are included in your lamp. Never touch the LED surface with your bare hands as this may reduce the life of your LED. Do not alter, relocate or remove any electrical component.

REF. / Light bulb
623 / 4x E-26



Color Temperature: Lamp dependent
CRI: Lamp dependent
Luminous Flux: Lamp dependent
Total Power: Lamp dependent

Input Voltage: 120V - 240V
Input Frequency: 60 Hz

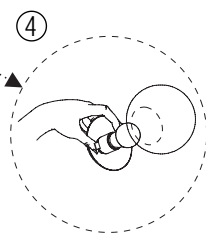
Material: Natural Wood Vener, MDF and Frosted Glass Globe

ASSEMBLING THE FIXTURE

- ④ Install an A15 E26 light bulb, with a maximum wattage rating of 25W. While holding the metal brackets up, insert the glass globe on one of its ends, carefully sliding it in and releasing tension, taking care to not damage the globe. Repeat this process with the other side. Releasing the bracket, the globe will be attached to the holder.
- ⑤ Pass the power cables through the junction box cover (JB) and support base (B).
- ⑥ Make the electrical connections in compliance with all the safety standards and local electrical codes. This product must be installed in accordance with the applicable installation code by a person familiar with the construction and operation of the product, and the hazards involved.
- ⑦ Using the (S2) screws, fixate the junction box cover (JB) into the junction box, and with the (S1) screws, fixate the support base into the bushings previously installed in the ceiling. Make sure they are tight and secured.
- ⑧ Bring the canopy close to the support base (B), fit them together, and using the (S3) finishing screws, fixate the canopy in the support base. Be sure everything is well secured.

Turn on the electrical power.

The luminaire is ready for use.



ATTENTION!

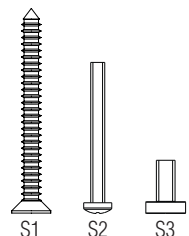
FAILURE TO COMPLY WITH THESE INSTRUCTIONS MAY CAUSE ACCIDENTS AND LOSS OF PRODUCT WARRANTY. Its recommended to read these instructions completely and carefully before proceeding.

SAVE THESE INSTRUCTIONS FOR FUTURE REFERENCE.

ACCORD Lighting guarantees coverage against manufacturing defects including electrical components and finishes, for a period of three years, under normal use, from the date of purchase. For warranty service, please contact your local dealer for further instructions. Proof of date of purchase will be required for validation of warranty service.

The responsibility of the manufacturer regarding the product warranty is related to the correct observation of the instructions contained in this manual. The manufacturer is not responsible for any damage to the product caused by accidents, alterations of any kind, improper usage or improper installation. See the website for additional warranty details.

PROVIDED SCREWS



ACCORD Lighting reserves the right to change the dimensions and specifications contained in this manual without prior notice, in accordance with its policy of continuous product improvement. Please, contact the manufacturer if additional information is necessary. The illustrations in this manual are for guidance only and may vary in scale, dimensions and model details.