

Installation Instructions

Medicine Cabinet

Record your model number:

Noter le numéro de modèle:

Anote su número de modelo: _____

Français, page 17

Español, página 32

KOHLER®

Warranty

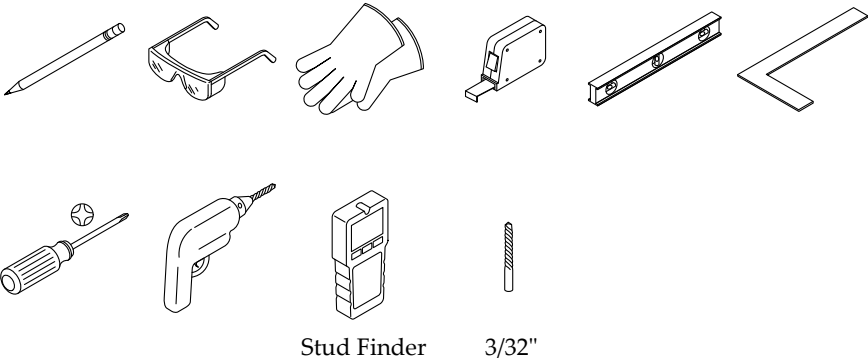
This product is covered under the **KOHLER® One-Year Limited Warranty**, found at [kohler.com/warranty](https://www.kohler.com/warranty). For a hardcopy of warranty terms, contact the Customer Care Center.

Thank You for Choosing KOHLER

Need help? Contact our Customer Care Center.

- USA/Canada: 1-800-4KOHLER (1-800-456-4537) Mexico: 001-800-456-4537
- **Service parts:** [kohler.com/serviceparts](https://www.kohler.com/serviceparts)
- **Care and cleaning:** [kohler.com/clean](https://www.kohler.com/clean)
- **Patents:** [kohlercompany.com/patents](https://www.kohlercompany.com/patents)

Tools and Materials



Plus:

- Framing and Drywall Tools
- 2x4s for Framing
- Drywall and Framing Fasteners
- Jigsaw or Keyhole Saw
- Anchors (as needed)

Before You Begin

ATTENTION: If you are missing parts, **DO NOT RETURN** this product to the store. Service parts can be ordered by calling 1-800-4KOHLER (456-4537) or online at kohler.com/serviceparts.



CAUTION: Risk of electric shock. Electrical wiring may need to be relocated.



CAUTION: Risk of property damage. Use anchors (not provided) rated for the load weight of this product. Refer to the anchor manufacturer's instructions.



CAUTION: Risk of product damage. Do not leave the door supported with only one hinge during removal or reinstallation. Disengage the bottom hinge first during removal, and reattach the top hinge first during installation.

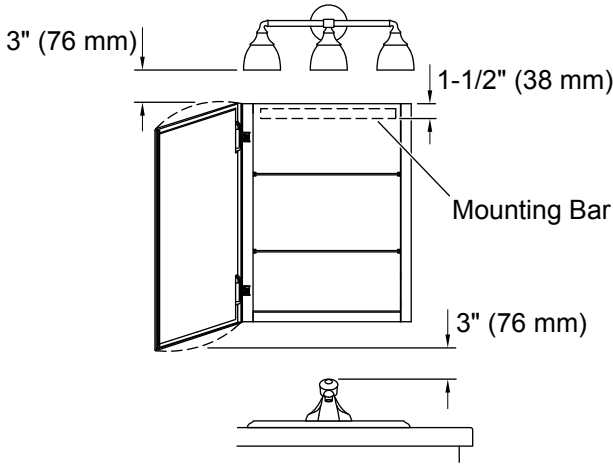
IMPORTANT! Reroute any electrical wires or water supply piping from the wall cavity. If you encounter drain or vent piping or if your wall is load-bearing, consult a professional before proceeding.

NOTICE: The wall cavity must be framed. The cabinet must be secured to framing studs.

NOTE: The cabinet can be rotated during installation for left or right door swing (not applicable for K-R33291 and K-56151).

Follow all local plumbing, building, and electrical codes.

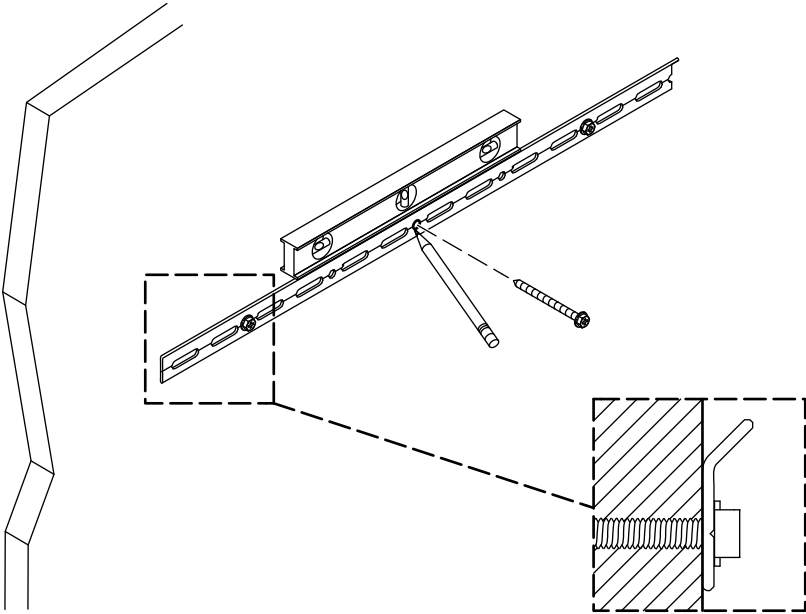
1. Verify Minimum Clearances



NOTE: The top of the cabinet to the bottom edge of the mounting bar is 1-1/2" (38 mm).

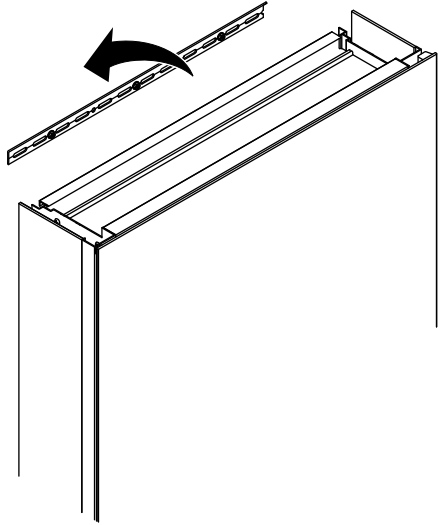
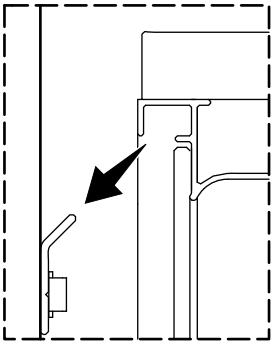
- Verify that the door will clear all obstacles, such as a faucet or light fixture.
- Provide a minimum distance of 3" (76 mm) between the door and other objects.
- Surface-Mount:** Proceed with the "Surface-Mount - Install the Mounting Bar" section.
- Recess-Mount:** Proceed with the "Recess-Mount - Prepare the Site" section.

2. Surface-Mount - Install the Mounting Bar



- Mark the stud locations at the desired mounting location.
- Position the mounting bar on the wall and mark the hole locations. One of the holes must align with a stud.
- Drill holes at the marked locations.
- Insert anchors (not provided) where needed.
- Secure the mounting bar with three 2" hex head screws (provided) or screws provided with the anchors.

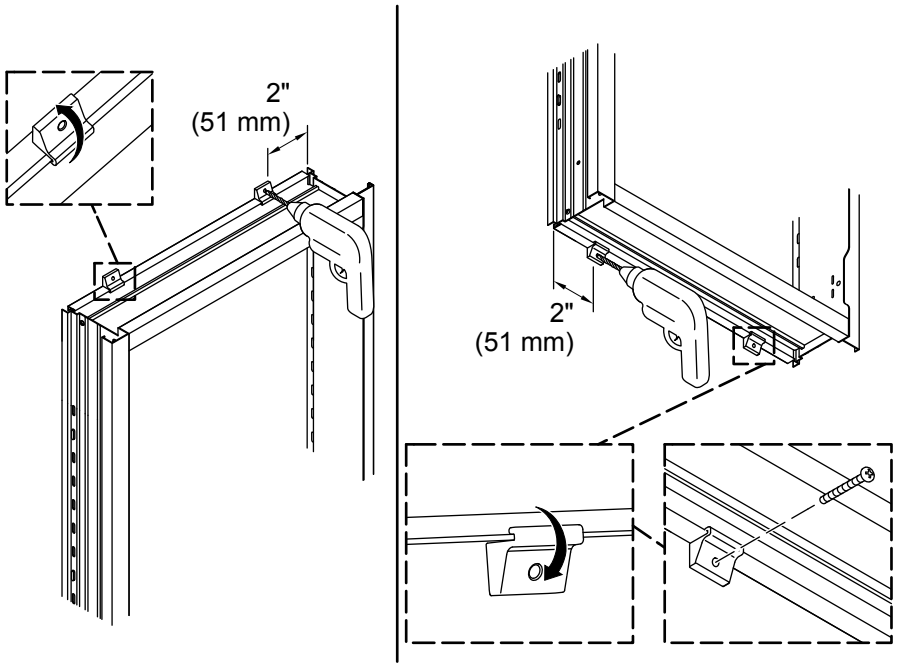
3. Surface-Mount - Hang the Cabinet



NOTE: Rotate the cabinet for right or left door swing. K-R33291 and K-56151 can only be installed with a left door swing.

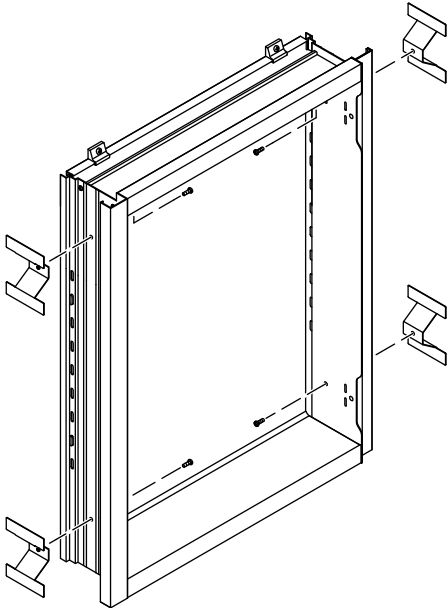
- Lift the cabinet onto the mounting bar.
- Verify that the back of the cabinet engages the mounting bar.

4. Surface-Mount - Secure the Cabinet



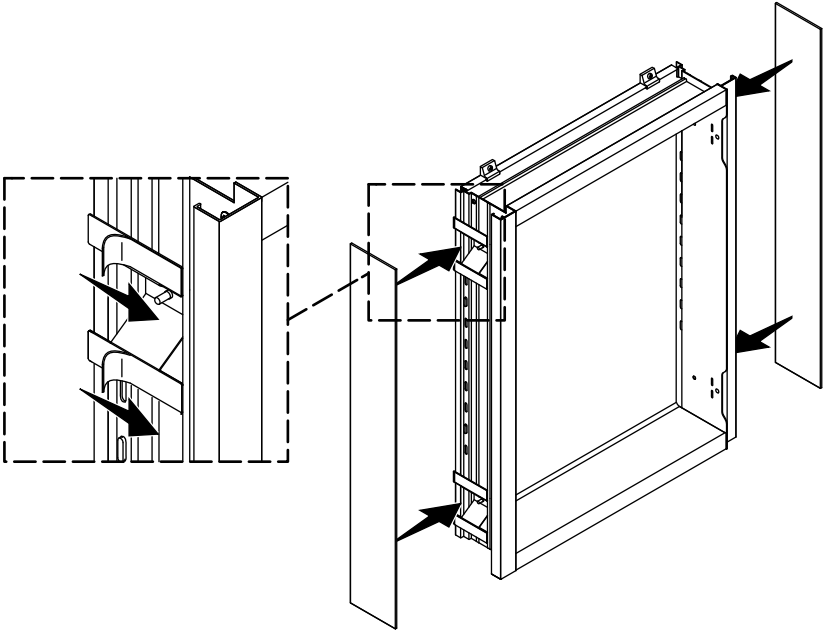
- Mount a clip onto each end of the top T-slot.
- Position each clip 2" (51 mm) from the ends of the cabinet.
- Verify that the cabinet is centered as desired.
- Drill pilot holes into the wall.
- If needed, insert anchors into the wall.
- Secure the clips with #8-15 X 1.5" panhead screws (provided).
- Mount a clip onto each end of the bottom T-slot.
- Position each clip 2" (51 mm) from the ends of the cabinet.
- Drill pilot holes and secure with #8-15 X 1.5" panhead screws (provided).

5. Surface-Mount - Install the Side Panel Brackets



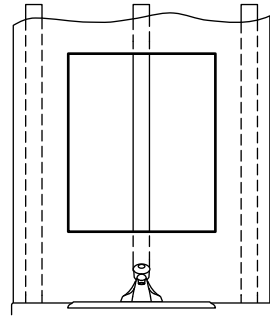
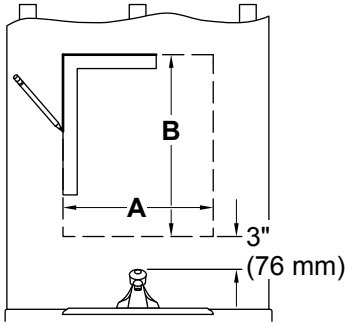
- Align the side panel brackets with the mounting holes.
- Secure each side panel bracket with a M4 x 12 screw (provided).

6. Surface-Mount - Install the Side Panels



- Remove the backing from the adhesive strips on the side panel brackets.
- Press the side panels onto the adhesive strips and apply pressure for 20 seconds.
- To install the shelves, see the "Install the Shelves" section.

7. Recess-Mount - Prepare the Site

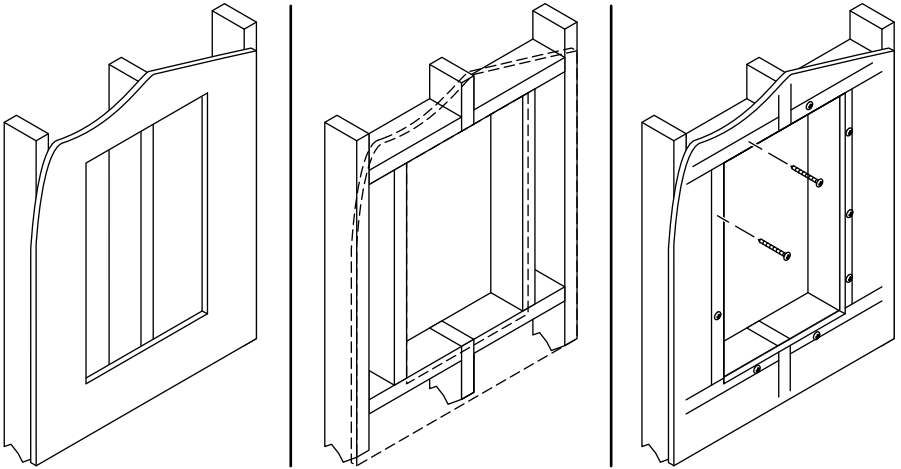


Model	A = Width	B = Height
K-55060 K-56000 K-56152	14-5/16" (364 mm)	18-3/4" (476 mm)
K-55061 K-56001	13-3/8" (340 mm)	24-3/4" (629 mm)
K-R33291	18-3/8" (467 mm)	20-3/4" (527 mm)
K-R33287 K-R33288 K-R33290 K-R33292 K-55062 K-56002 K-56150 K-56151	18-3/8" (467 mm)	24-3/4" (629 mm)
K-55063 K-56003	23-11/16" (602 mm)	24-3/4" (629 mm)

Model	A = Width	B = Height
K-R33289 K-55064 K-56004	28-11/16" (729 mm)	24-3/4" (629 mm)
K-55065 K-56005	33-11/16" (856 mm)	24-3/4" (629 mm)
K-56550	13-3/8" (340 mm)	34-3/4" (883 mm)
K-56551	18-3/8" (467 mm)	34-3/4" (883 mm)
K-56552	23-11/16" (602 mm)	34-3/4" (883 mm)
K-56553	28-11/16" (729 mm)	34-3/4" (883 mm)

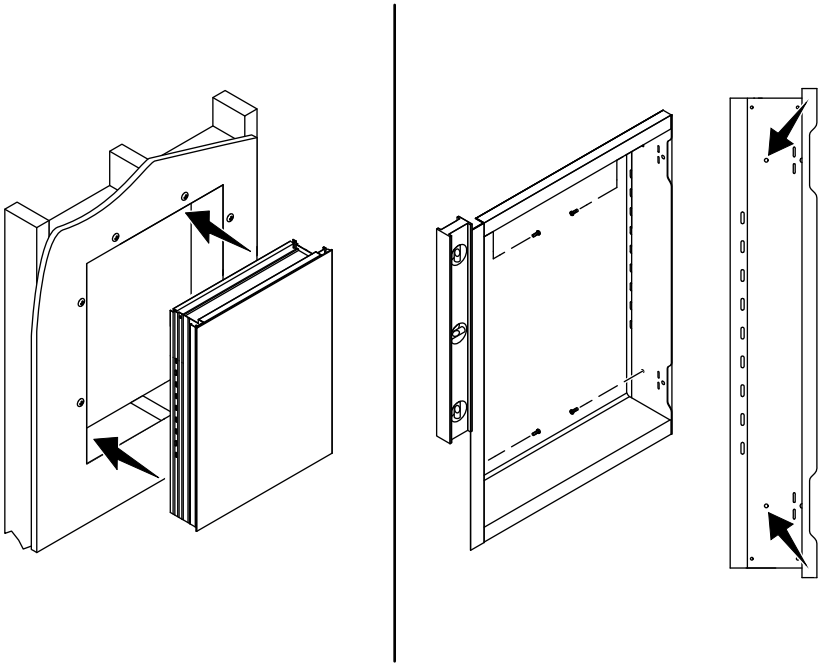
Measure and mark the cutout for your model.

8. Recess-Mount - Construct the Framing



- Use a jigsaw or keyhole saw to carefully remove the finished wall material from the marked cutout location.
- Frame out the wall cavity. If needed, install a header.
- Secure the drywall to the framing.

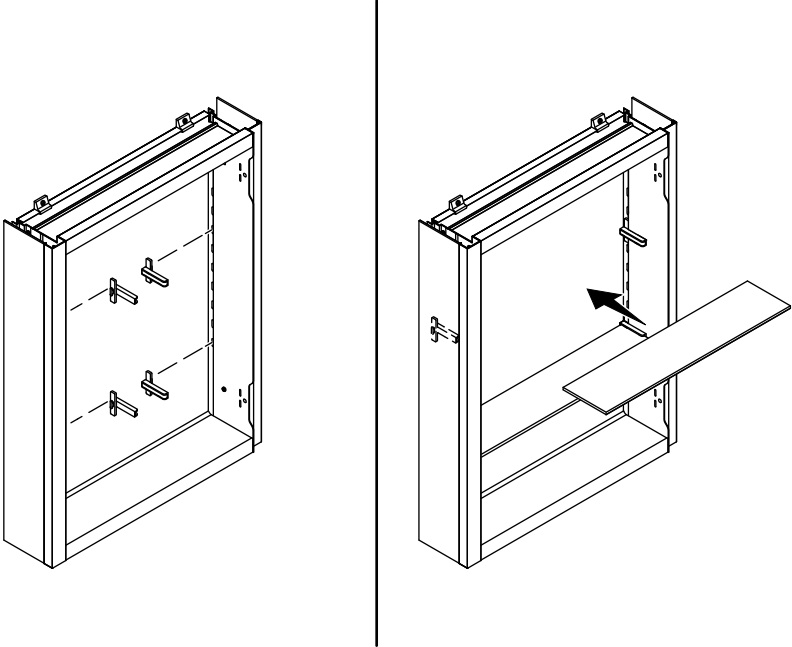
9. Recess-Mount - Install the Cabinet



NOTE: Rotate the cabinet for right or left door swing. K-R33291 and K-56151 can only be installed with a left door swing.

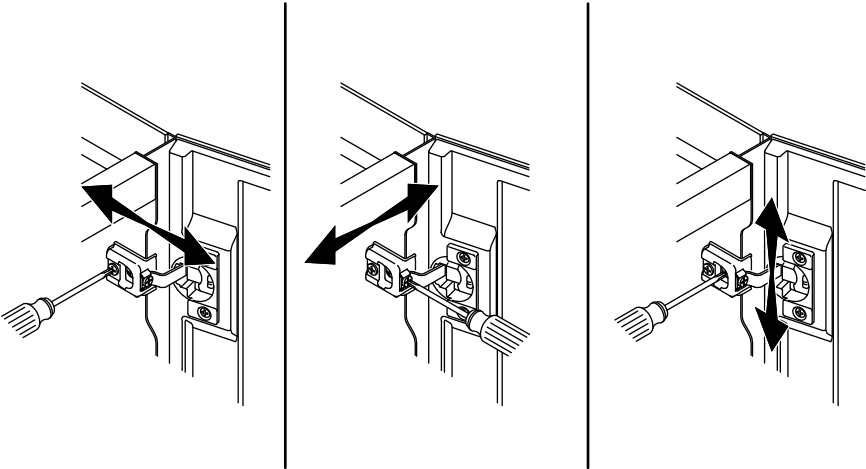
- With help, lift and hold the cabinet in the cutout.
- Verify that the cabinet is level.
- Identify the two mounting holes on each side of the cabinet.
- Secure the cabinet to the framing using the four provided #8-15 x 1.5" panhead screws.

10. Install the Shelves



- Determine the shelf locations and insert the shelf holders into the slotted holes in the sides of the cabinet.
- Install the shelves between the slots of the shelf holders.

11. Adjust the Door



□ If needed, turn the adjustment screws to align the door.