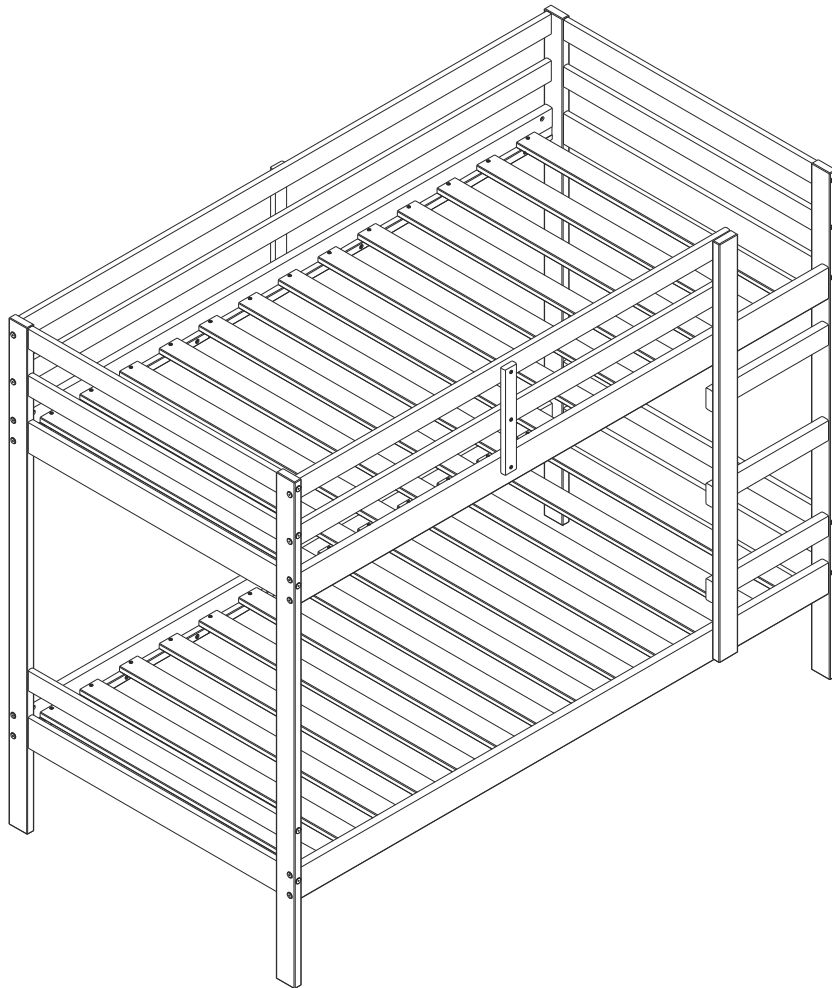


Item: SOPB3H

Assembly Instructions

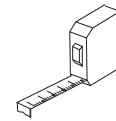
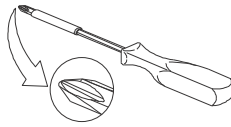
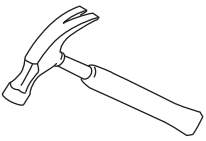


Please visit our website for the most current instructions, assembly tips, to report damage or request parts. www.walkerredison.com

Revised 08/2023-V1

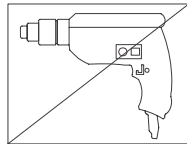
General assembly guidelines

- I. Ensure that all parts and hardware are available before beginning assembly.
- II. Follow each step carefully to ensure the proper assembly of this product.
- III. Two people are recommended for ease in the assembly of this product.
- IV. The three main types of hardware used to assemble this product are wood dowels, screws and bolts.
- V. A Phillips head screwdriver, a hammer and a tape measure are required for assembly this product.



Tape measure

- VI. Power tools should not be used to assemble this product..



WALKER EDISON

Instruction Manual

IMPORTANT INFORMATION READ BEFORE ASSEMBLING THIS PRODUCT

Follow the information on the warning labels found on the bunk bed and on the packaging. Do not remove the warning label from the bed.

Use only a mattress with the dimensions 74 - 75 in. L x 37 ½ - 38 ½ in W x 8 in. H on the upper bunk. A mattress with the same dimensions is also recommended for the lower bunk.

The surface of the mattress must be at least 5 in. (127mm) below the upper edge of the guardrails. Mattress must not exceed the maximum thickness of 8 in.

Always use the recommended size of mattress or mattress support, or both, to help prevent the likelihood of entrapment or falls.

The use of a water or sleep flotation mattress is prohibited.

Replacement parts, including additional guardrails, may be obtained from any of Walker Edison Furniture Company's dealers or by contacting us online at www.walker-edison.com.

DO NOT use substitute parts. Contact the manufacturer or dealer for replacement parts.

Always use guardrails on the upper bunk. If the bunk bed will be placed next to a wall, the guardrail running the full length of the bed should be placed against the wall to prevent entrapment between the bed and the wall.

Periodically check that the guardrails, ladders and other components of the bed are in their proper position, free from damage, and that all connectors are tight.

Always use the ladder to access the upper bunk.

DO NOT allow children under 6 years of age to use the upper bunk.

DO NOT allow horseplay on or under the bed. Prohibit jumping on the bed.

Prohibit more than one person on the upper bunk.

The use of a night light may provide an added safety precaution for a child using the upper bunk.

STRANGULATION HAZARD – Never attach or hang items to any part of the bunk bed that are not designed for use with the bed; including but not limited to hooks, belts and jump ropes.

DANGER D'ÉTRANGLEMENT- Ne jamais attacher ni suspendre quelque chose au lit, qui ne fait pas partie du lit superposé. Ceci inclut, sans s'y limiter : crochets, ceintures ou cordes à sauter.

Keep these instructions for future reference.

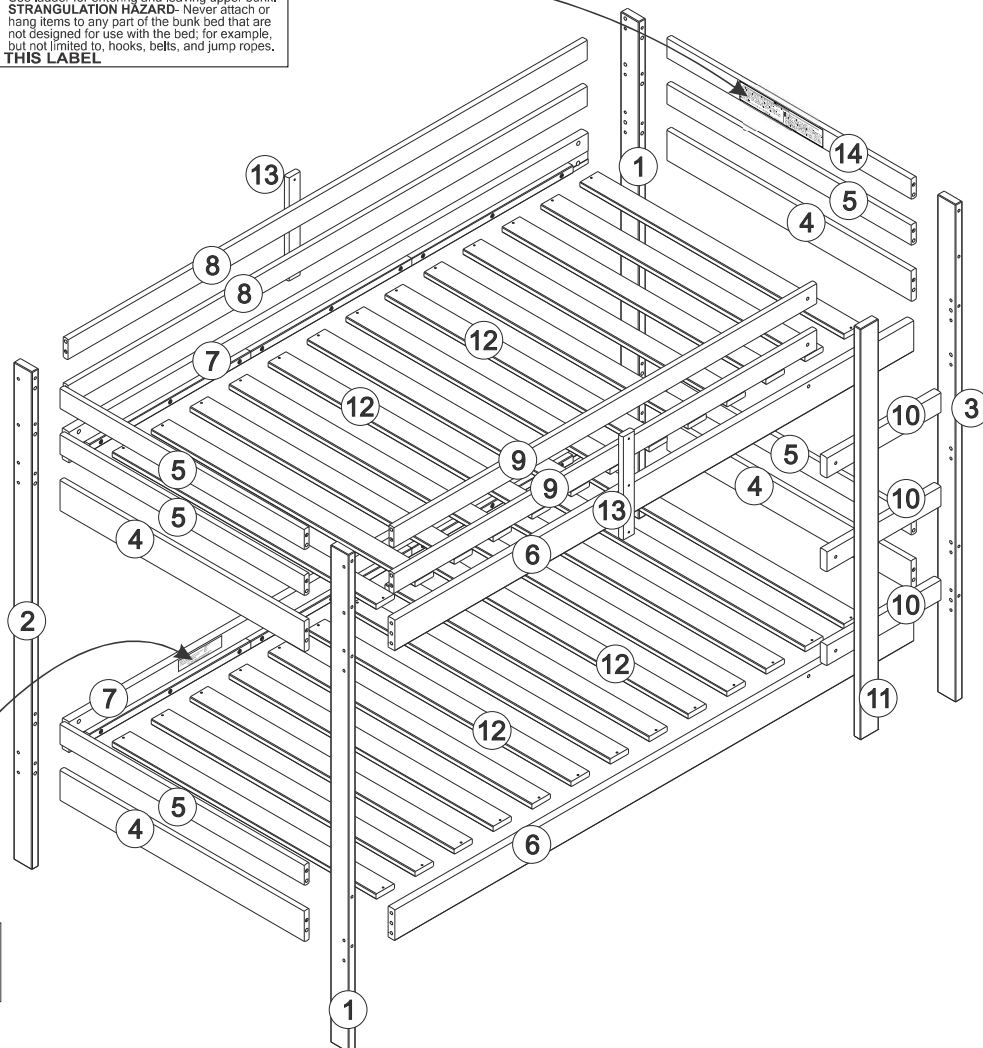
Parts List

⚠ WARNING

To help prevent serious or fatal injuries from entrapment or falls:

- Never allow a child under 6 years on upper bunk.
- Only use mattress which is 74"-75" long and 37 1/2" - 38 1/2" wide and maximum 8" high on upper and lower bunk.
- Ensure thickness of mattress and foundation combined does not exceed 8" and mattress is at least 5" below upper edge of guardrails.
- Use guardrails on both sides of upper bunk.
- Prohibit horseplay on or under bed(s).
- Prohibit more than one person on the upper bunk.
- Use ladder for entering and leaving upper bunk.
- **STRANGULATION HAZARD**- Never attach or hang items to any part of the bunk bed that are not designed for use with the bed; for example, but not limited to, hooks, bells, and jump ropes.

DO NOT REMOVE THIS LABEL



Distributed By: Walker Edison Furniture Company
 1553 W 9000 S, West Jordan, UT 84088 United States

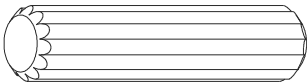
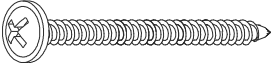
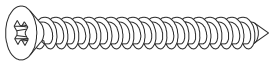
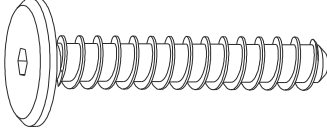
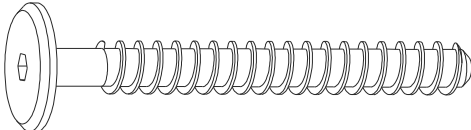
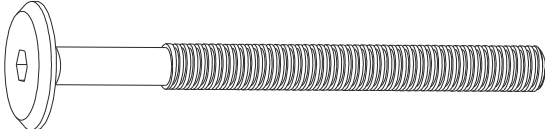
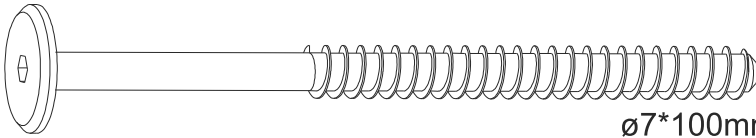



Model: #
 LOT:
 Date:
 Rev.

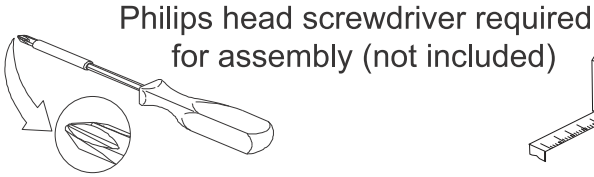
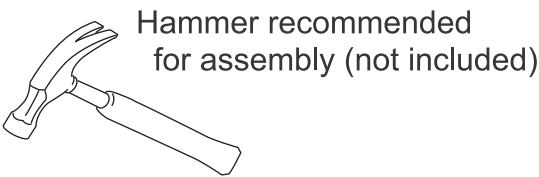
EPA TSCA Title VI and California 93120
 Phase 2 compliant for formaldehyde

Part #	Description	Qty
1	Headboard / Footboard Post	02 pcs
2	Right Footboard Post	01 pc
3	Right Headboard Post	01 pc
4	Lower Rail	04 pcs
5	Upper Rail	05 pcs
6	Front Side Rail	02 pcs
7	Back Side Rail	02 pcs
8	Long Guard Rail	02 pcs
9	Short Guard Rail	02 pcs

Part #	Description	Qty
10	Ladder Step	03 pcs
11	Ladder Rail	01 pc
12	Joint Slat	26 pcs
13	Reinforcement Crossbar	02 pcs
14	Upper Rail with Warning	01 pc

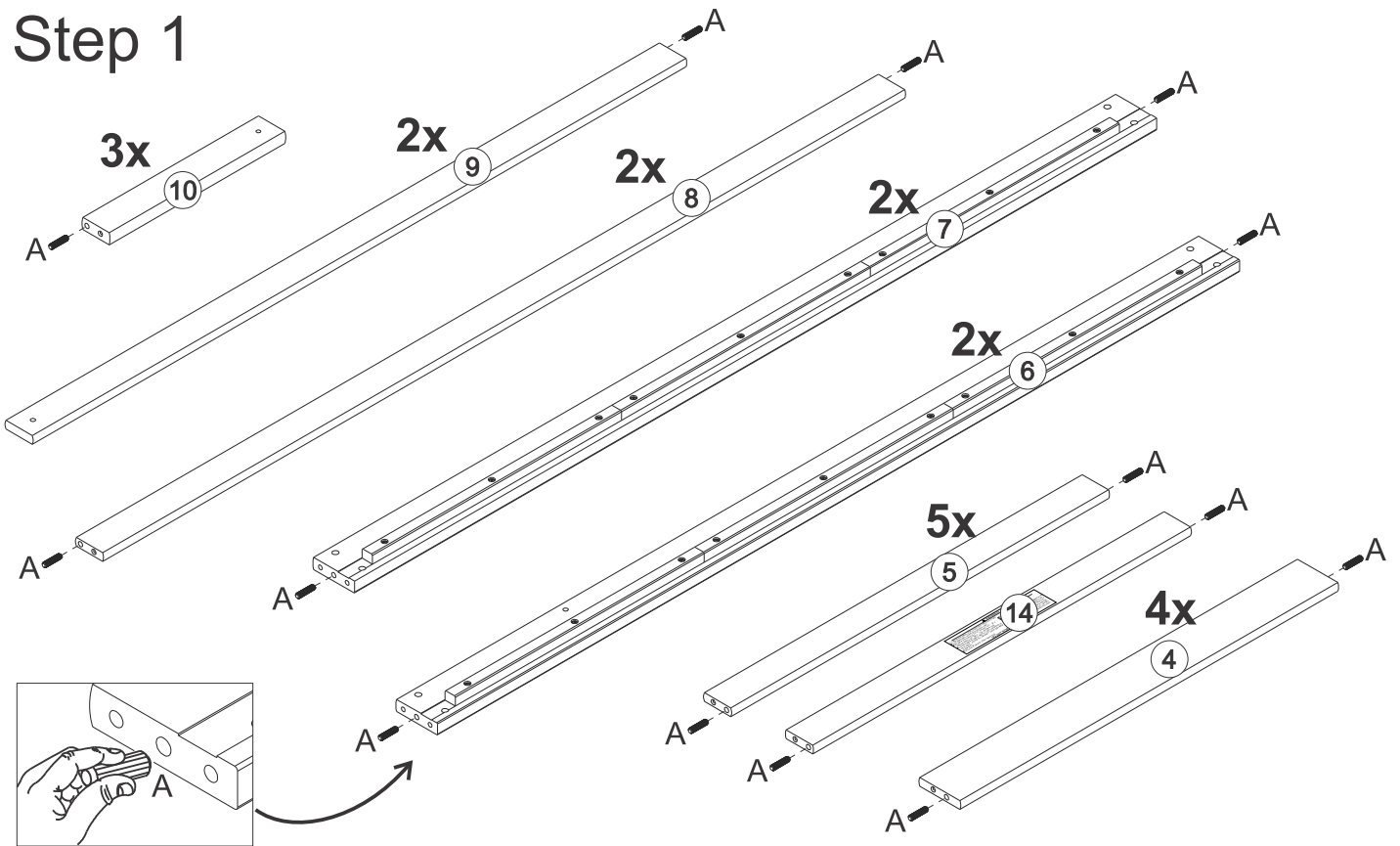
Hardware List

A		$\varnothing 10 \times 40 \text{mm}$	Wooden dowel	37 pcs
B		$\varnothing 4 \times 35 \text{mm}$	Screw	06 pcs
C		$\varnothing 4 \times 35 \text{mm}$	Screw	52 pcs
D		$\varnothing 7 \times 40 \text{mm}$	Bolt	07 pcs
E		$\varnothing 7 \times 60 \text{mm}$	Bolt	09 pcs
F		$\varnothing 1/4 \times 70 \text{mm}$	Bolt	16 pcs
G		$\varnothing 7 \times 100 \text{mm}$	Bolt	20 pcs
H			Barrel Nut	16 pcs
I			Hex key	01 pc
J			Spacer	02 pcs

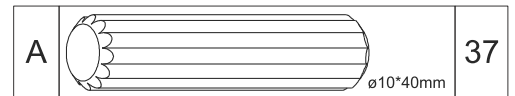


The hardware quantities listed above are required for proper assembly. Some extra hardware may also have been included.

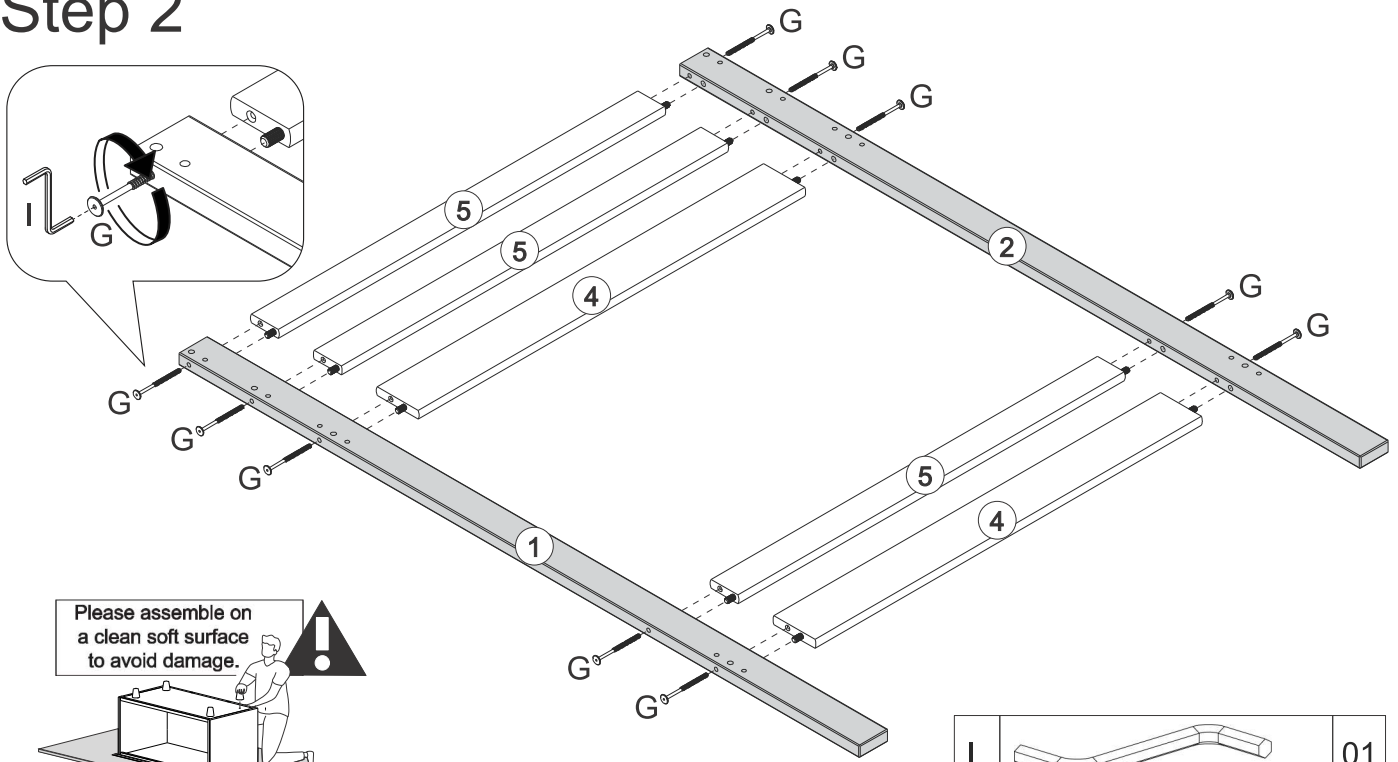
Step 1



Insert wood dowel (A) into parts 4, 5, 6, 7, 8, 9, 10 and 14.



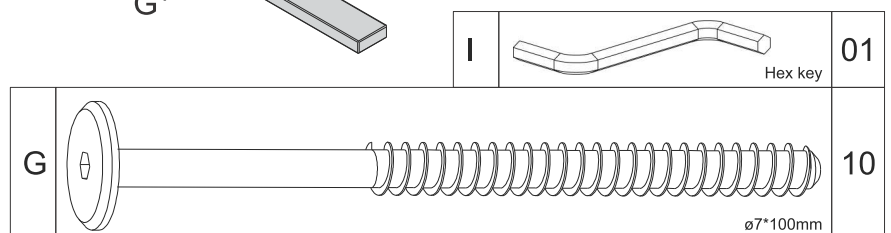
Step 2



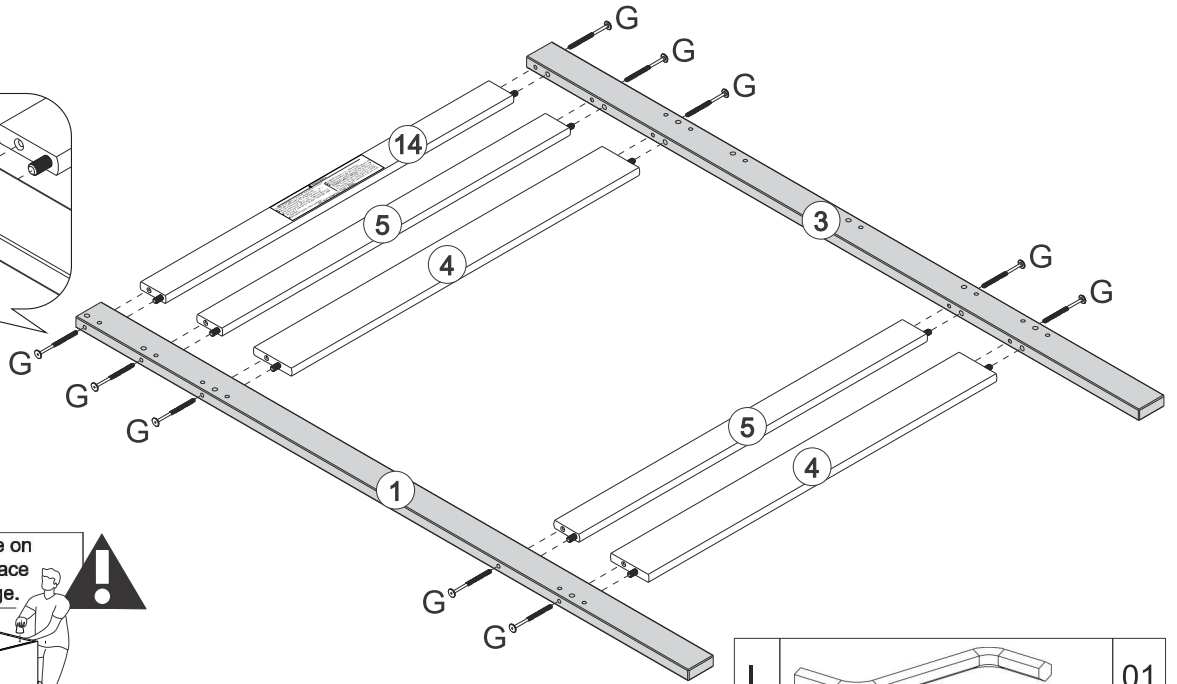
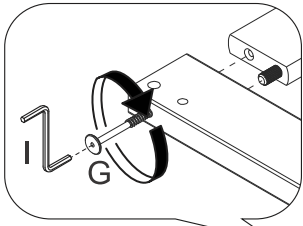
Please assemble on a clean soft surface to avoid damage.



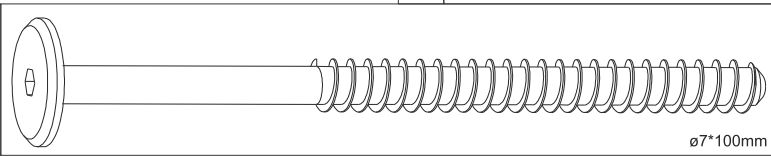
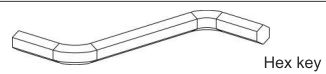
Secure parts 1 and 2 to parts 4 and 5 with bolt (G) using the hex key (I).



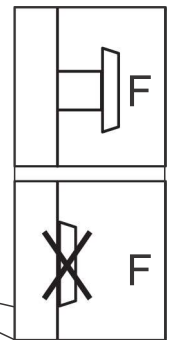
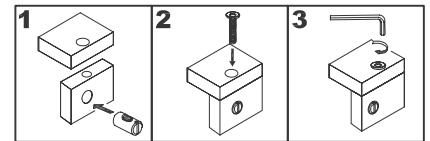
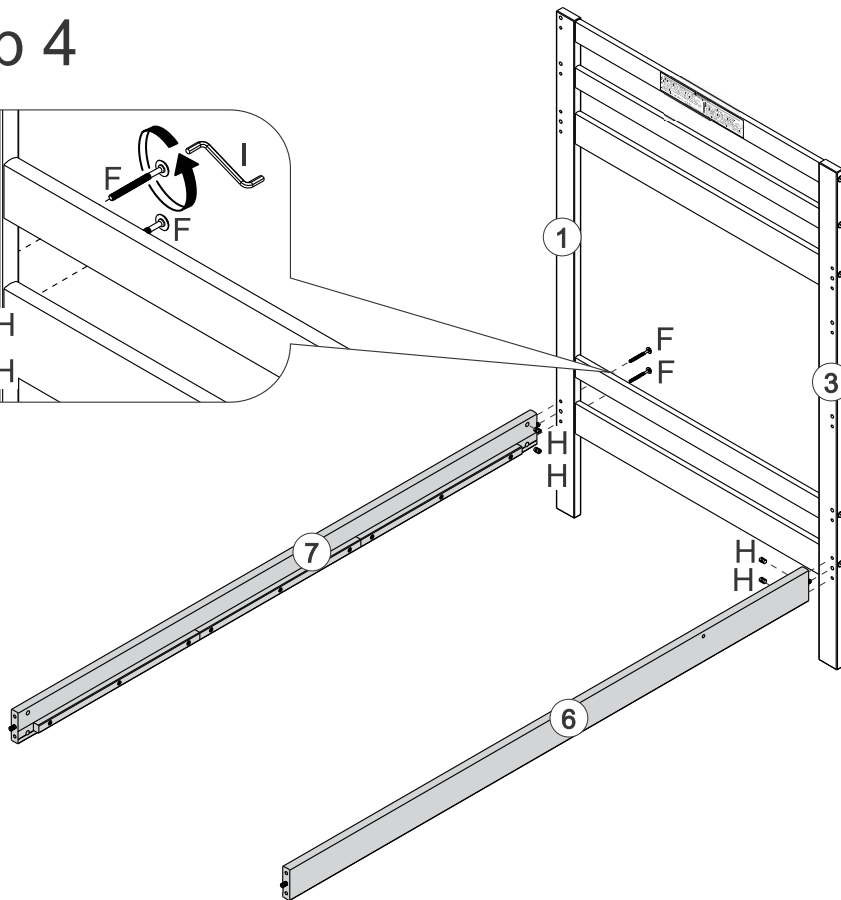
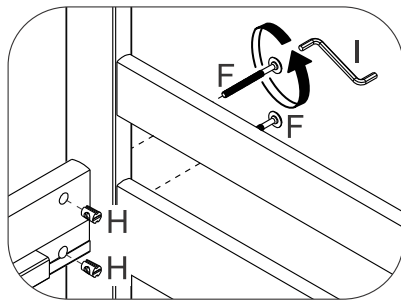
Step 3




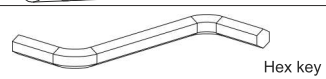
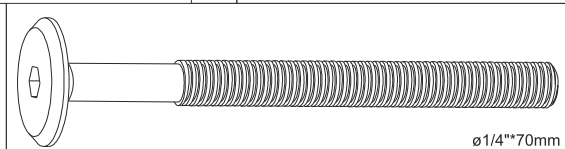
Secure parts 1 and 3 to parts 4 and 5 with bolt (G) using the hex key (I).

G		10 ø7*100mm
I		01 Hex key

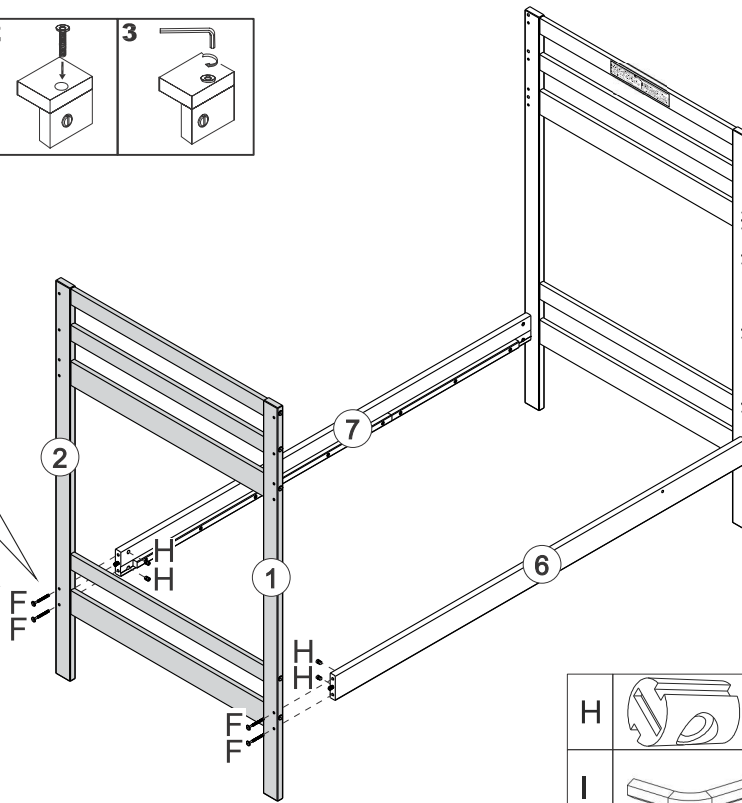
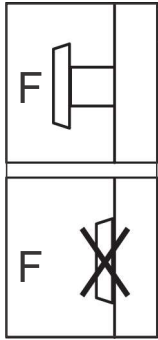
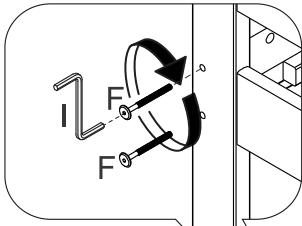
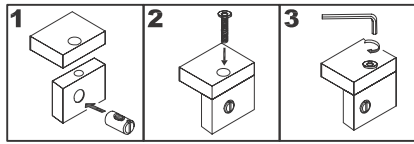
Step 4



Insert Barrel nuts (H) into rails (6 and 7). Attach rails (6 and 7) to first set of posts (1 and 3) with Bolt (F) using the hex key (I). Bolts (F) will screw into barrel nuts (H). Leave the bolts (F) loose for future steps.

H		04 Barrel Nut
I		01 Hex key
F		04 ø1/4**70mm

Step 5

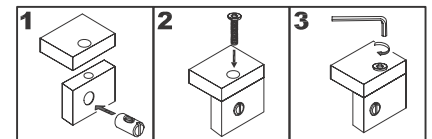
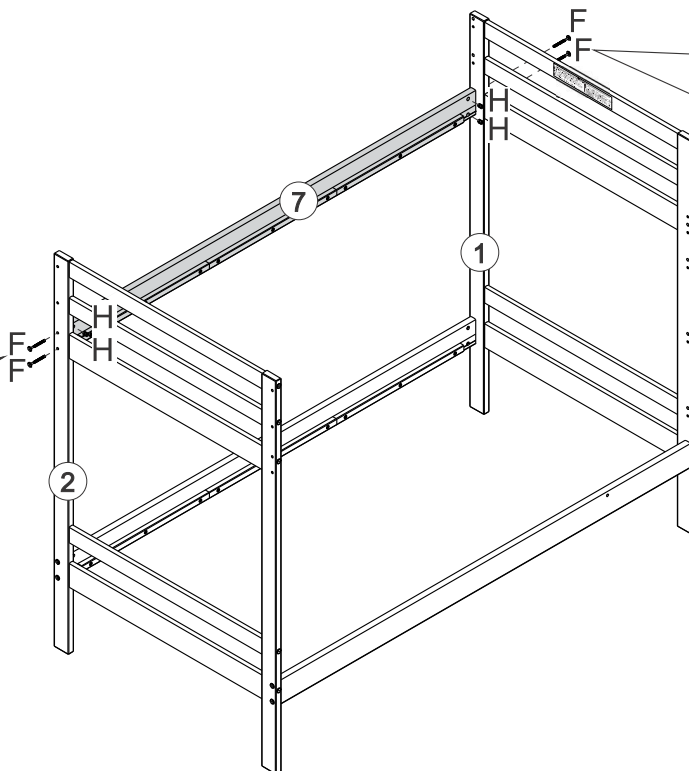
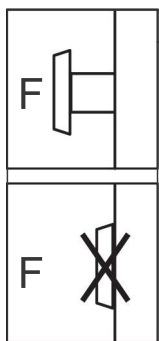
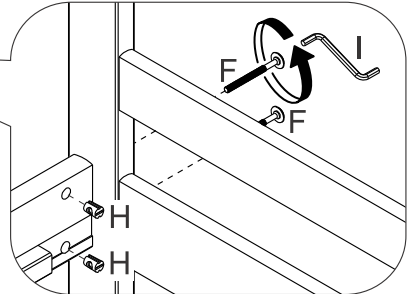


H		Barrel Nut	04
I		Hex key	01

F			04
			ø1/4**70mm

Insert Barrel nuts (H) into rails (6 and 7). Attach rails (6 and 7) to set of posts (1 and 2) with bolt (F) using the hex key (I). Bolts (F) will screw into barrel nuts (H). Leave the bolts (F) loose for future steps.

Step 6

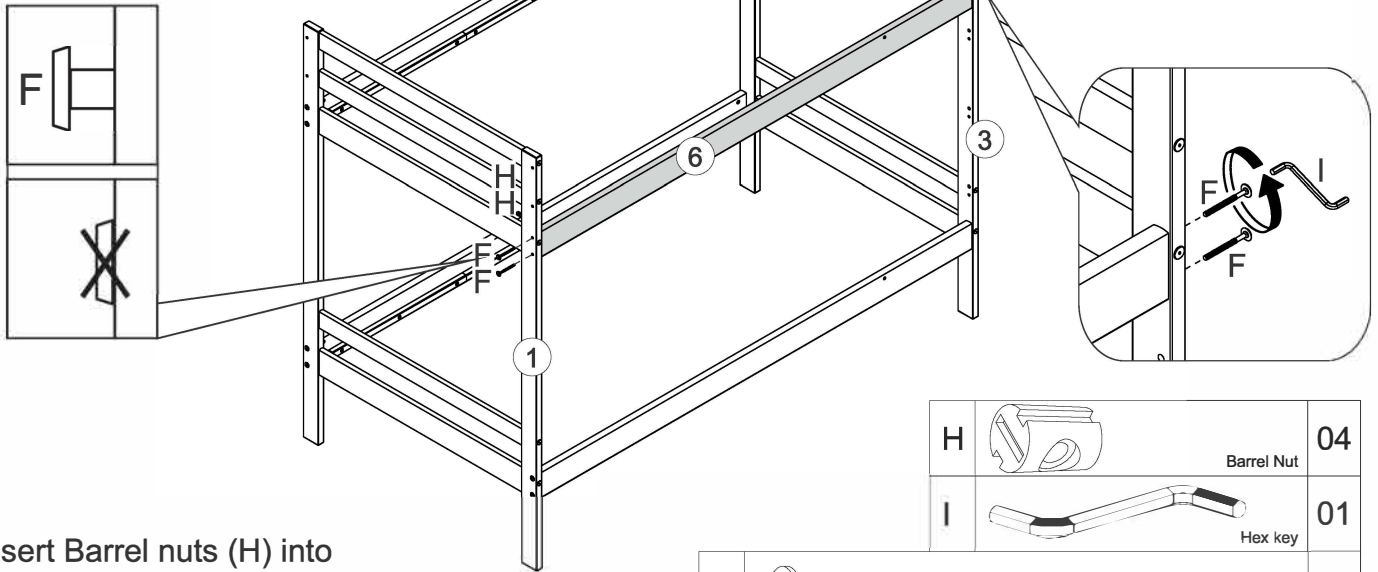
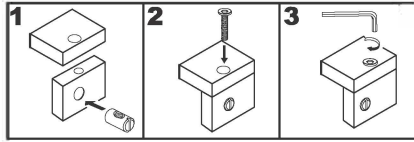


H		Barrel Nut	04
I		Hex key	01

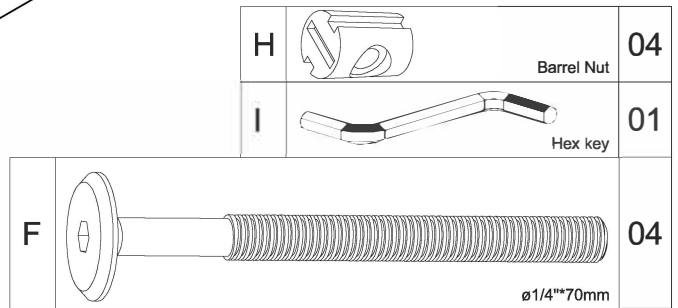
F			04
			ø1/4**70mm

Insert Barrel nuts (H) into Rail (7). Attach rail (7) to set of posts (1 and 2) with bolt (F) using the hex key (I). Bolts (F) will screw into barrel nuts (H). Leave the bolts (F) loose for future steps.

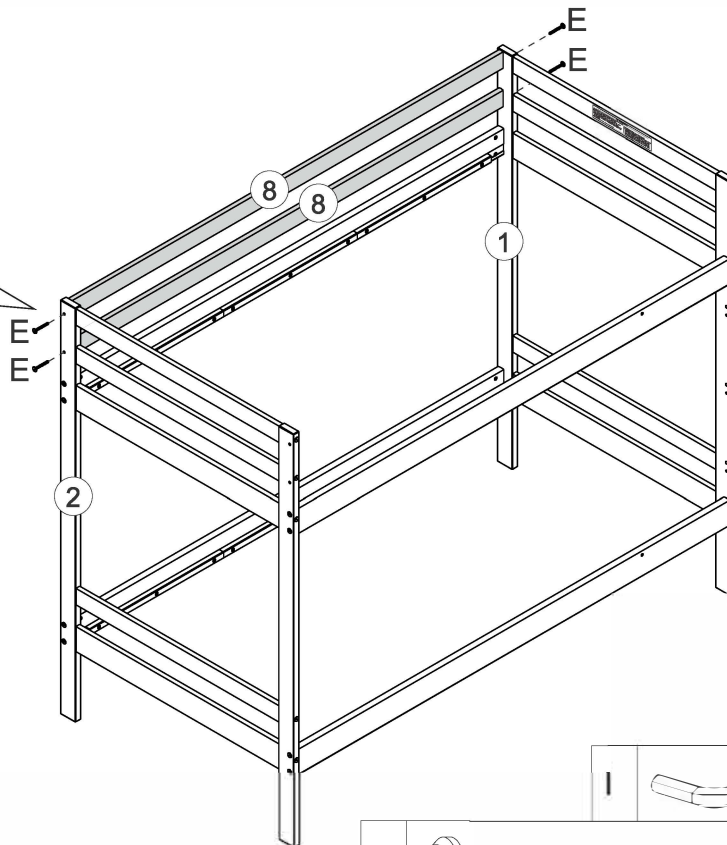
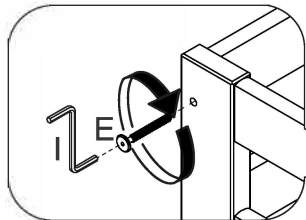
Step 7



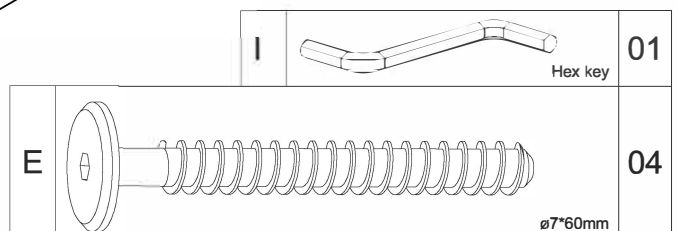
Insert Barrel nuts (H) into rail (6). Attach rail (6) to set of posts (1 and 3) with bolt (F) using the hex key (I). Bolts (F) will screw into barrel nuts (H). Leave the bolts (F) loose for future steps.



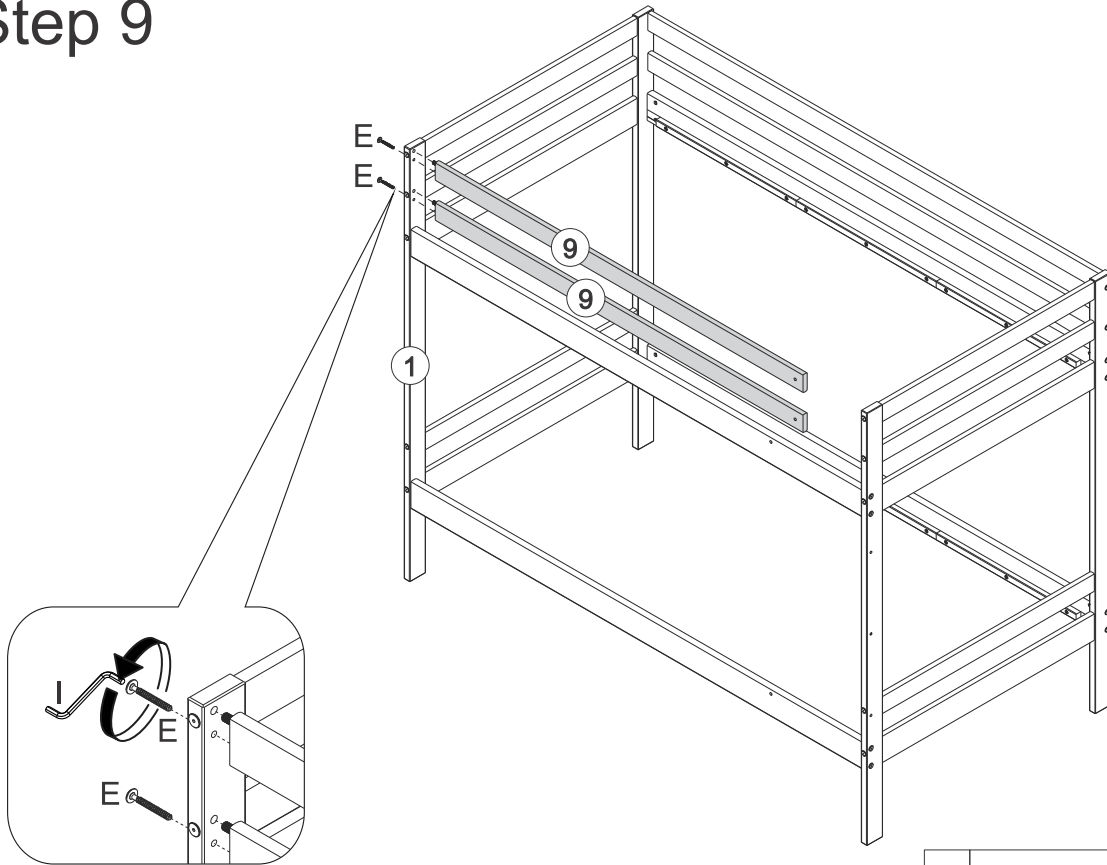
Step 8



Attach guard rails (8) to set of posts (1 and 2) with bolts (E) using the hex key (I). Tighten all bolts (F) to the end on all rails (6 and 7).



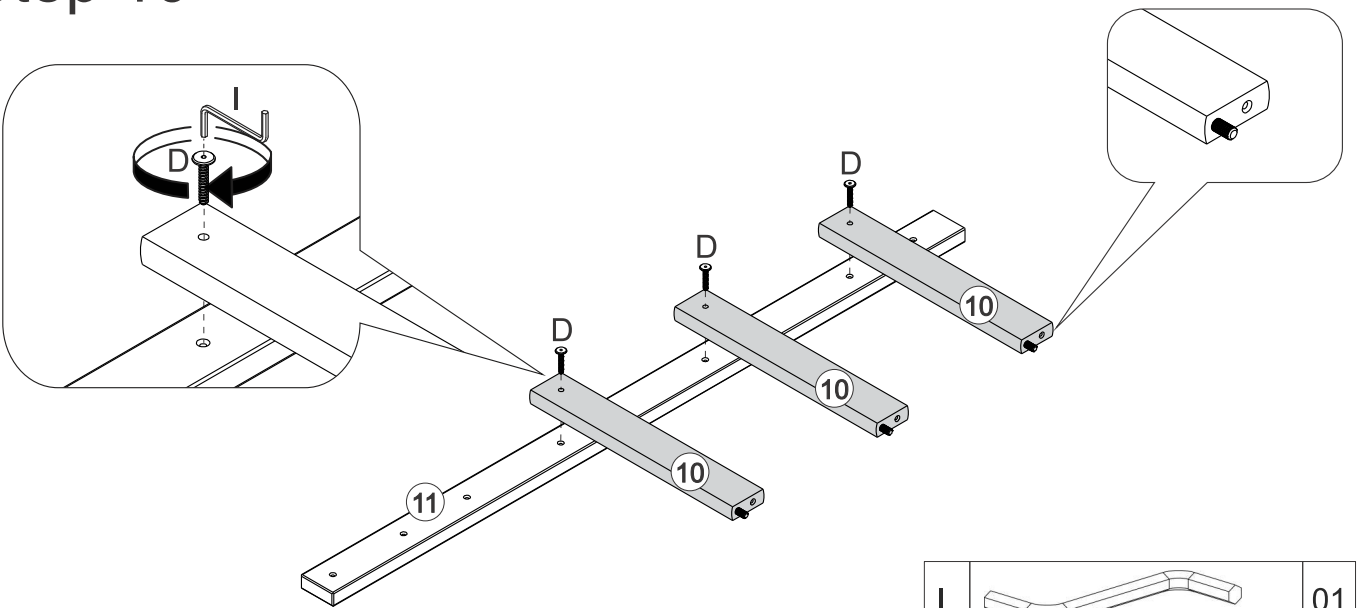
Step 9



Secure parts 9 to part 1 with bolts (E) using the hex key (I).

I		01
E		02
		$\varnothing 7 \times 60 \text{mm}$

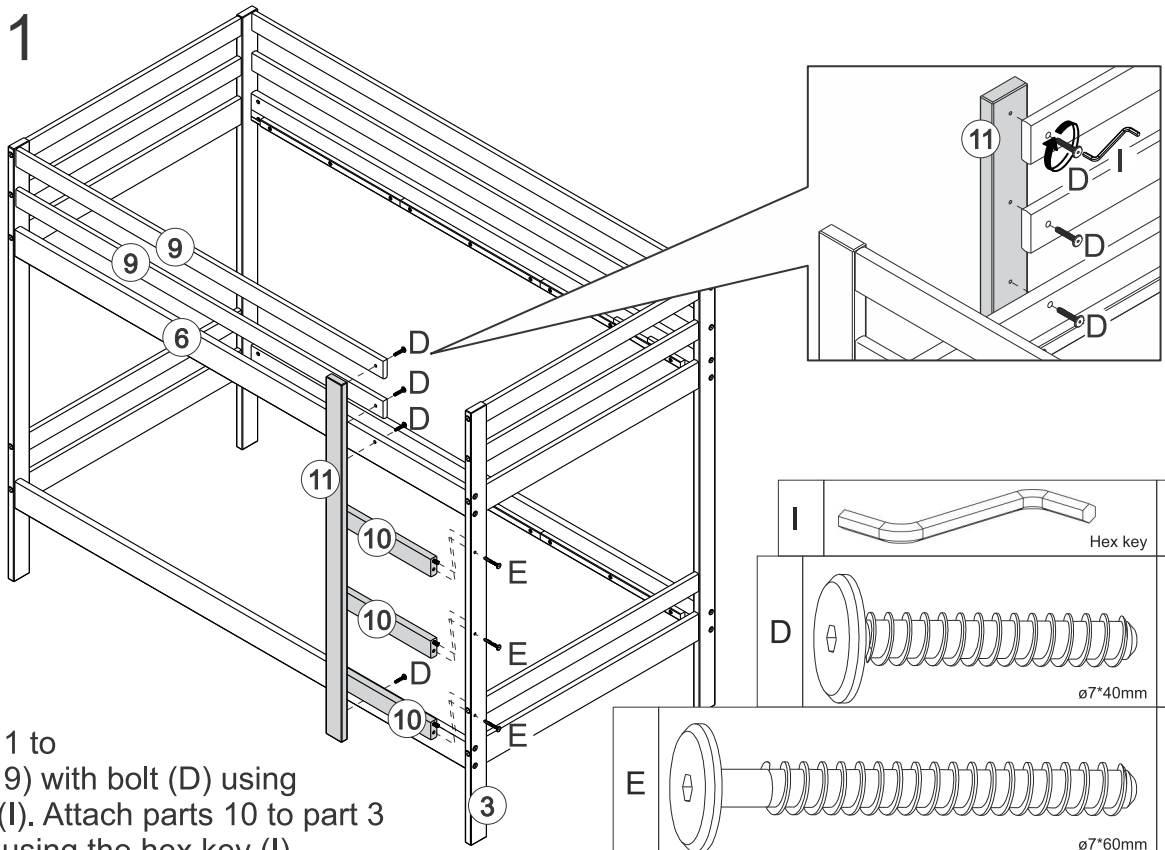
Step 10



Secure parts 10 to part 11 with bolts (D) using the hex key (I).

I		01
D		03
		$\varnothing 7 \times 40 \text{mm}$

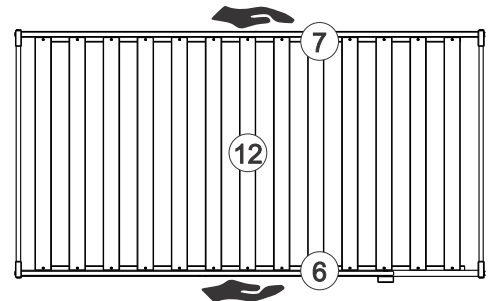
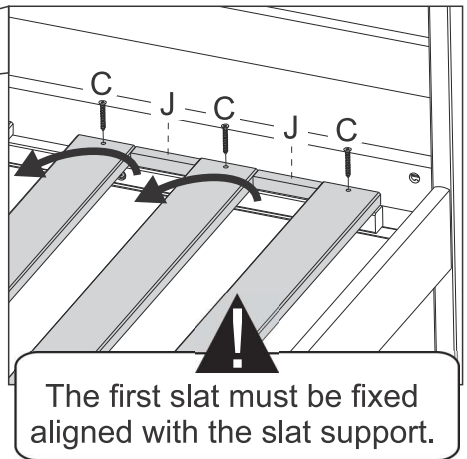
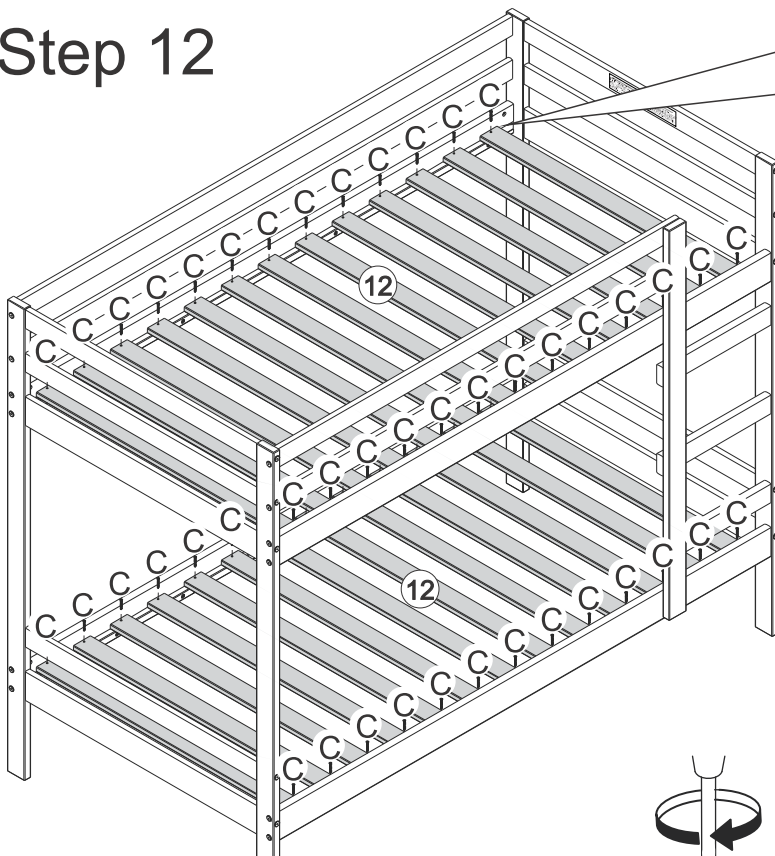
Step 11



Attach part 11 to parts (6 and 9) with bolt (D) using the hex key (I). Attach parts 10 to part 3 with bolt (E) using the hex key (I).

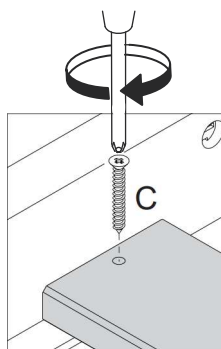
I		01
D		04
E		03

Step 12



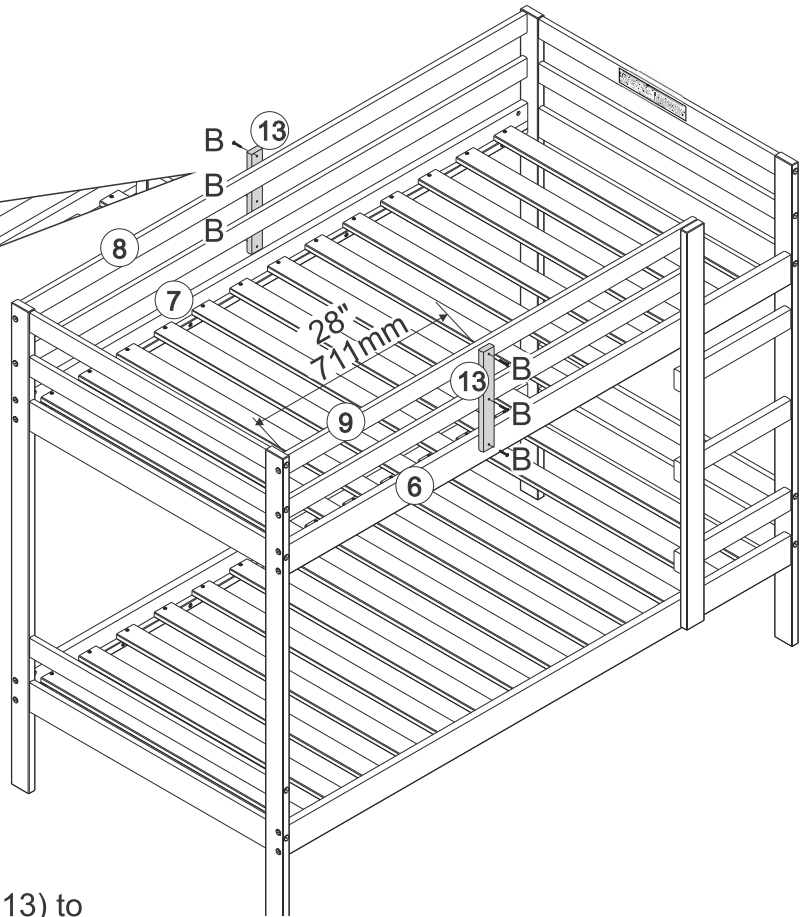
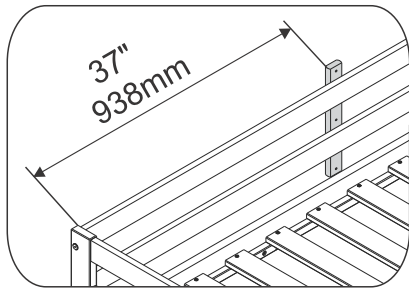
Pressure can be applied to rails (6 and 7) to ensure that mattress supports (12) fit evenly between rails.

Starting at one end, secure the first slat (12) to the bed assembly using flat head wood screws. Use the spacers (J) to position the next slat at the correct location and secure with flat head wood screws (C) using a Phillips screwdriver. Repeat process with remaining slats.

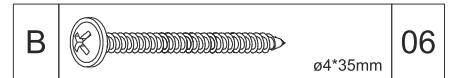


C		52
J		02

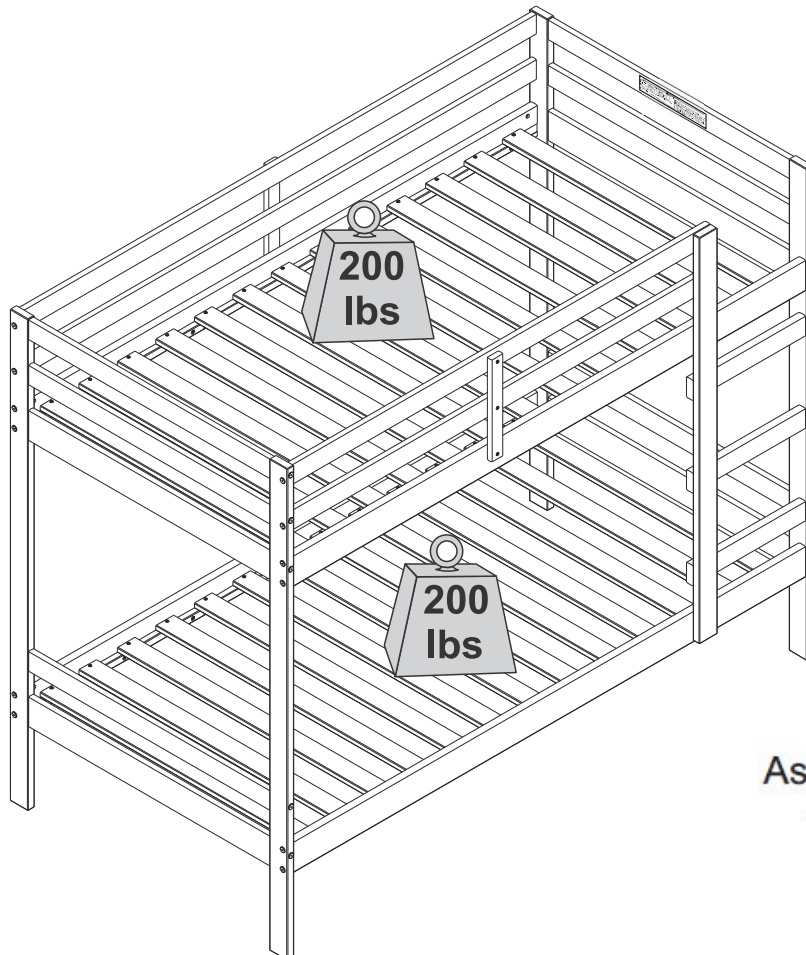
Step 13



Attach first reinforcement crossbar (13) to side rail (7) and guard rails (8) with flanged head wood screws (B) using a Phillips screwdriver. Attach second reinforcement crossbar (13) to side rail (6) and guard rails (9) with flanged head wood screws (B) using a Phillips screwdriver.



Step 14



Assembly Complete!

