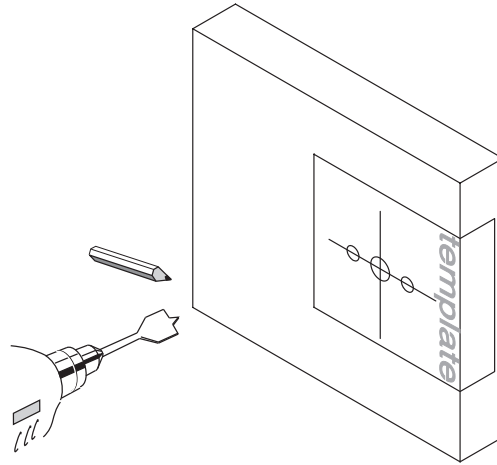


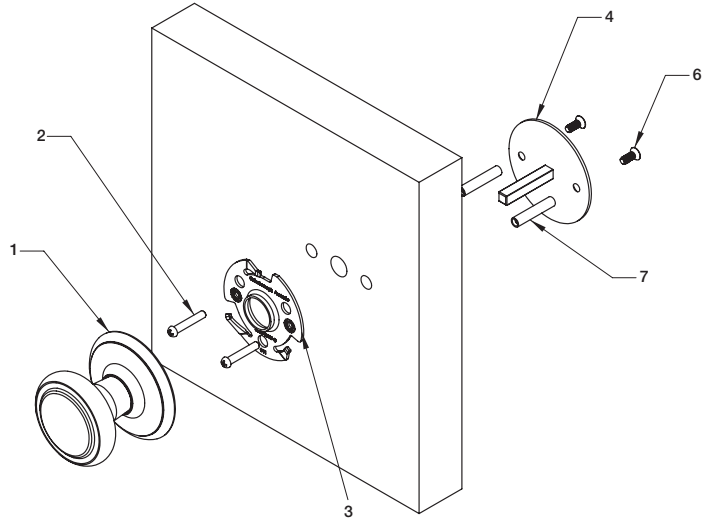
Step 1.

- Fold template where indicated.
- Position template on door edge at desired height.
- Firmly hold template & mark 3 hole centres (2 off 8mm & 1 off 12mm) at required backset.
- Drill Pilot holes - suggest 3mm, then enlarge to required size from both sides of door.



Step 2.

- Install knob assembly to door
- Fit posts (7) to dummy plate (4) with screws (6).
 - Place dummy plate (4) into position, on back of door.
 - Fit fixing disc (3) to front of door & secure in place with screws (2).
 - Place dummy knob assembly (1) onto fixing disc (3) and secure by turning the rosette in a clockwise direction until tight.



NOTE: Carefully follow these instructions when installing. Screws to be tightened to a recommended 2.5Nm torque.



FOLD HERE

Fit here on door edge

Fit here on door edge

8mm hole

12mm hole

8mm hole

BACKSET 60mm

BACKSET 70mm