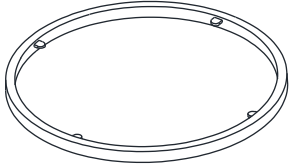
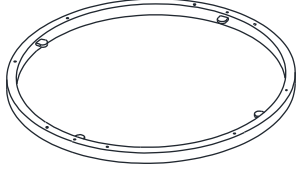
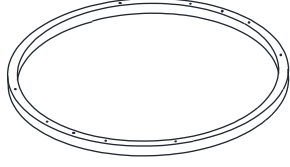
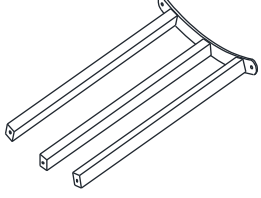
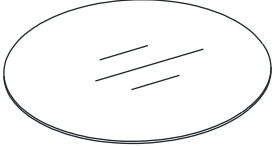
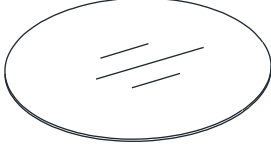
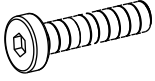
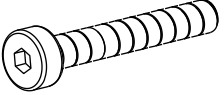
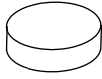
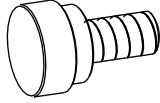

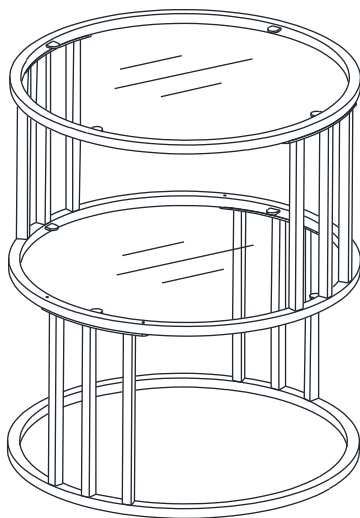


# ASSEMBLY INSTRUCTION

## E184-04 METAL ROUND END TABLE WITH MIRRORED SHELF

<b>A</b> Top Frame  1pc	<b>B</b> Middle Frame  1pc	<b>C</b> Bottom Frame  1pc	<b>D</b> Side Panel  4pcs
<b>E</b> Glass  1pc	<b>F</b> Mirror  1pc	<b>G</b> Bolt 1/4"x1/2"  8pcs	<b>H</b> Bolt 1/4"x1-1/2"  12pcs
<b>I</b> Pad Φ12mm  8pcs	<b>J</b> Leveler Φ13mm  4pcs	<b>K</b> Allen Wrench 1/4"  1pc	

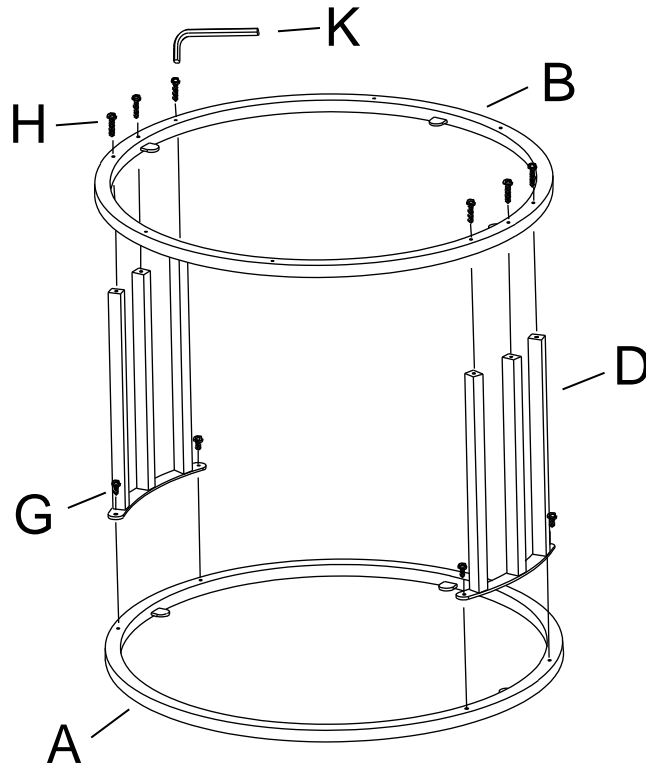


This page lists all the contents included in the box. Please take the time to identify the hardware as well as the individual components to this product. As you unpack and prepare for assembly, place the contents on a carpeted or padded area to protect them from damage.

**\*\*\* Do not tighten screws & bolts until the entire unit is completely assembled.**

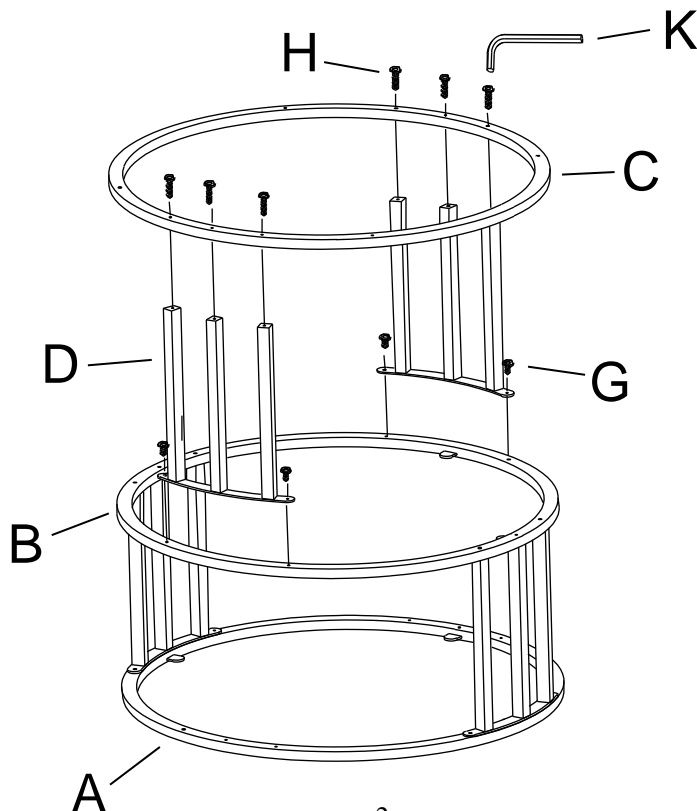
**1**

Attach two side panels (D) to top frame (A) by bolt (G) and allen wrench (K). Attach middle frame (B) to side panel (D) by bolt (H) and allen wrench (K) as shown.

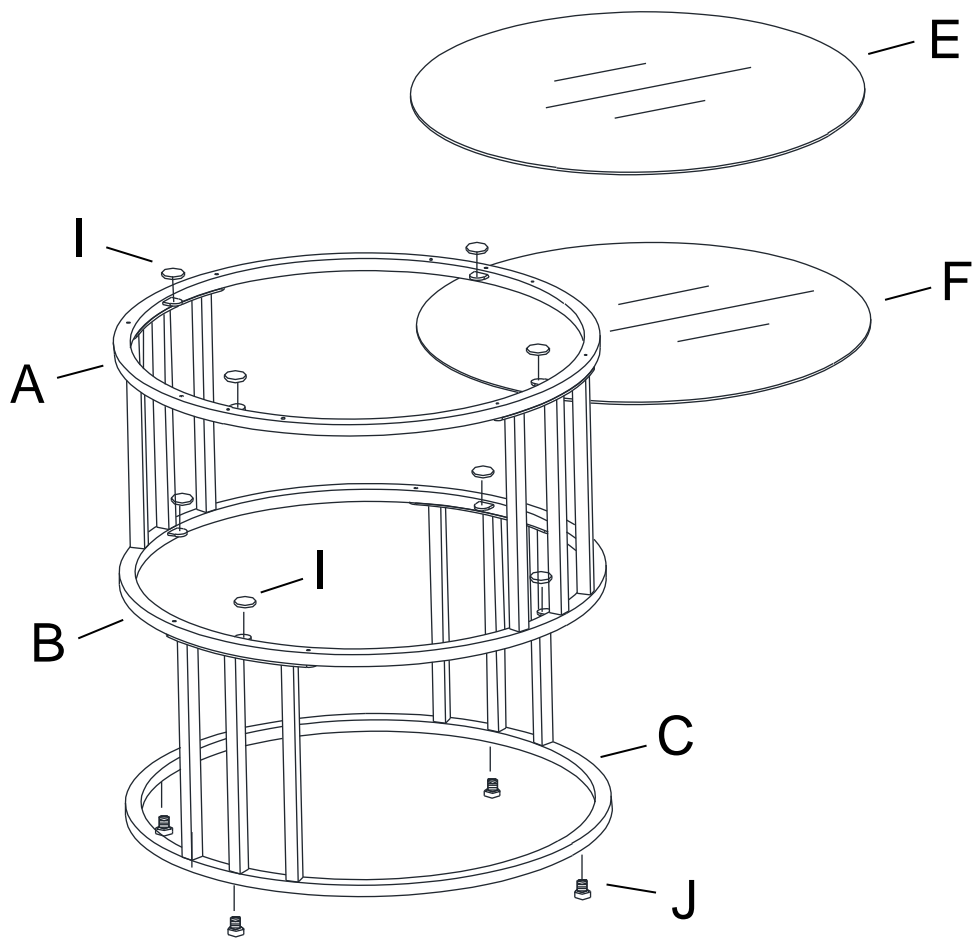


**2**

Attach two side panels (D) to middle frame (B) by bolt (G) and allen wrench (K). Attach bottom frame (C) to side panel (D) by bolt (H) and allen wrench (K) as shown.



- 3** Attach leveler (J) to the bottom of bottom frame (C). Upright the table carefully. Attach pad (I) to top frame (A) and middle frame (B), then put glass (E) into top frame (A) and put mirror (F) into middle frame (B) as shown.



---

### Cleaning & Care

Treat surface with care. Surface is resistant to scratches but is not scratch resistant. Clean surfaces with a dry or damp soft cloth. Do not use abrasive cleaners. Hardware may loosen over time. Periodically check that all connections are tight.