

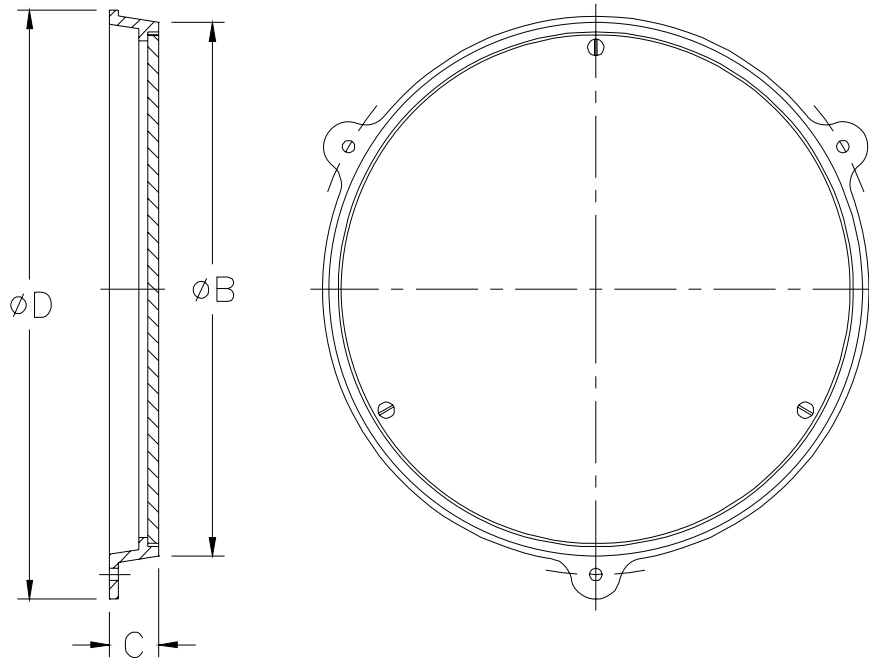


# Z1463 ROUND SCORIATED ACCESS COVER

SPECIFICATION SHEET

TAG \_\_\_\_\_

Dimensional Data (inches and [ mm ]) are Subject to Manufacturing Tolerances and Change Without Notice



Product Designation	Dimensions In Inches				Approx. Wt. Lbs. [kg]
	Nominal Pipe Size	B	C	D	
-7	2-3-4 [51-76-102]	6-5/8 [168]	3/4 [19]	7-1/2 [190]	6 [3]
-11	5-6-8 [127-152-203]	10-3/4 [273]	1 [25]	11-7/8 [302]	12 [5]

**ENGINEERING SPECIFICATION: ZURNZANB1463**

Access panel and frame. Round, scoriated, nickel bronze panel secured to frame, set flush to finished wall plane or floor, complete with anchor lugs.

**OPTIONS** (Check/specify appropriate options)

**PREFIXES**

- \_\_\_ ZAB Bronze with Polished Scoriated Cover
- \_\_\_ ZANB Nickel Bronze with Polished Scoriated Cover\*

**SUFFIXES**

- \_\_\_ -CH Cleanout Access Housing (-7 only)
- \_\_\_ -CM Carpet Marker
- \_\_\_ -HC Hinged Cover
- \_\_\_ -ST Smooth Top
- \_\_\_ -VP Vandal-Proof Screws
- \_\_\_ -X Cover Recessed for 1/8 [3] Tile

REV. E	DATE: 11/05/10	C.N. NO. 120277
DWG. NO. 58778	PRODUCT NO. Z1463	

\*REGULARLY FURNISHED UNLESS OTHERWISE SPECIFIED