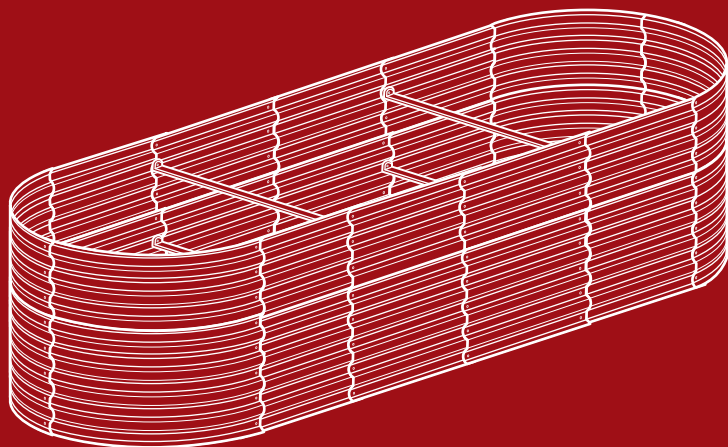




BEST CHOICE
PRODUCTS



INSTRUCTION MANUAL

8x2x2 Oval Metal Garden Bed

SKY6641 + SKY6817 + SKY7373 + SKY7374 + SKY7376 + SKY7377
SKY7378 + SKY7379 + SKY7380

! NOTICE

Please retain these instructions for future reference.

- Do not stand on or use any part of this item as a step ladder.
- Firmly secure all bolts, screws, and knobs before use.
- Reconfirm that all bolts, screws, and knobs are secure every 90 days.
- Be aware that some parts are heavy and have sharp edges.
- If any parts are missing, broken, damaged, or worn, stop using this product until repairs are made and/or factory replacement parts are installed.
- Do not use this item in a way that is inconsistent with the manufacturer's instructions as this could void the product warranty.
- This product contains small parts for assembly. Keep small children and pets away during assembly.
- This product is intended for residential use only.

TOOLS REQUIRED



PHILLIPS
SCREWDRIVER



1 PERSON
ASSEMBLY



UP TO 60 MIN.
ASSEMBLY

HARDWARE

1 M6 X 15mm
SCREW



96 PCS

2 M6 WINGNUT



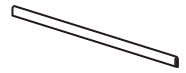
96 PCS

3 WASHER



96 PCS

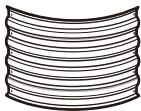
4 RUBBER
BUMPER



1 PC

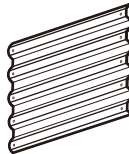
PARTS

A CURVED END
PANEL



8 PCS

B SIDE PANEL



16 PCS

C BRACING RODS



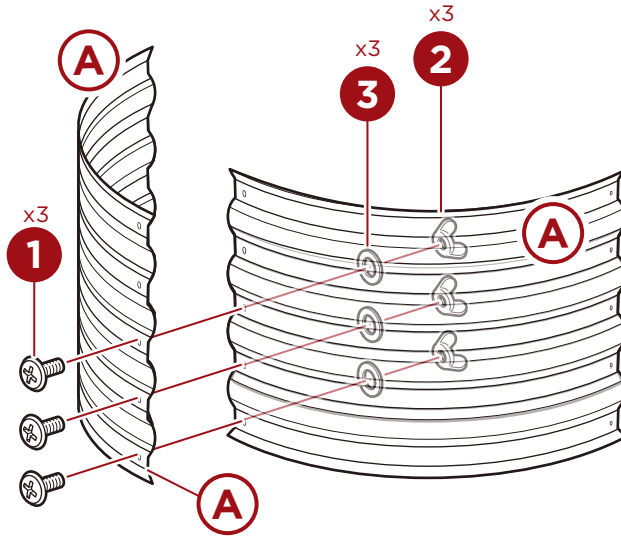
4 PCS

PRODUCT ASSEMBLY

1

Connect two **part A curved end panels** with three **part 1 screws**, three **part 2 wingnuts**, and three **part 3 washers**. Leave the top two connector holes open.

Repeat to assemble the other end of the planter.



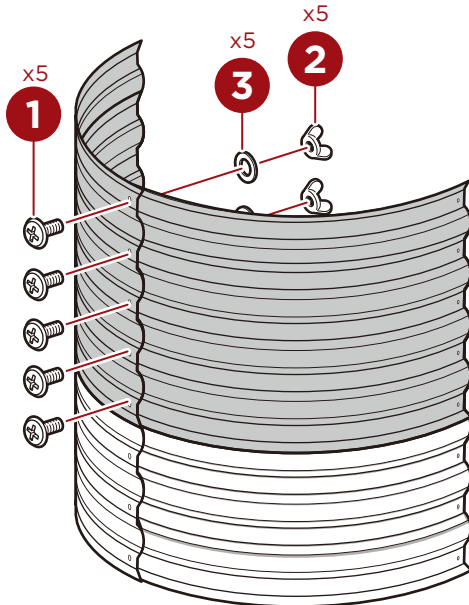
2

Connect two **part A curved end panels** with three **part 1 screws**, three **part 2 wingnuts**, and three **part 3 washers**. Leave the bottom two connector holes open.

Repeat to assemble the other end of the planter.

Overlap the open holes of the two end panel assemblies, then connect them with two **part 1 screws**, two **part 2 wingnuts**, and two **part 3 washers**.

Repeat to assemble the other end of the planter.

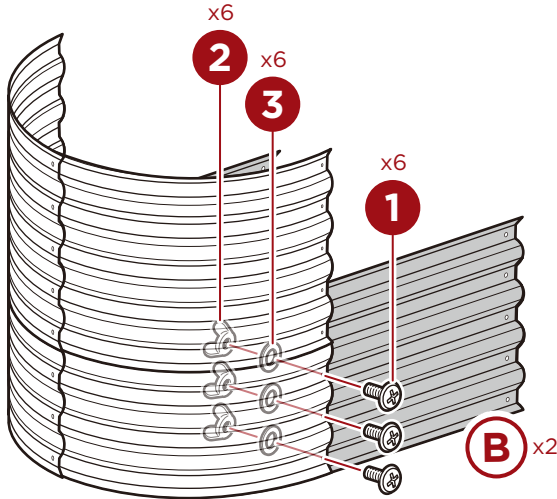


PRODUCT ASSEMBLY

3

Attach two **part B side panels** to the bottom of the one end panel assembly with three **part 1 screws**, three **part 2 wingnuts**, and three **part 3 washers**. Leave the top two connector holes open.

Repeat on the other end panel assembly.

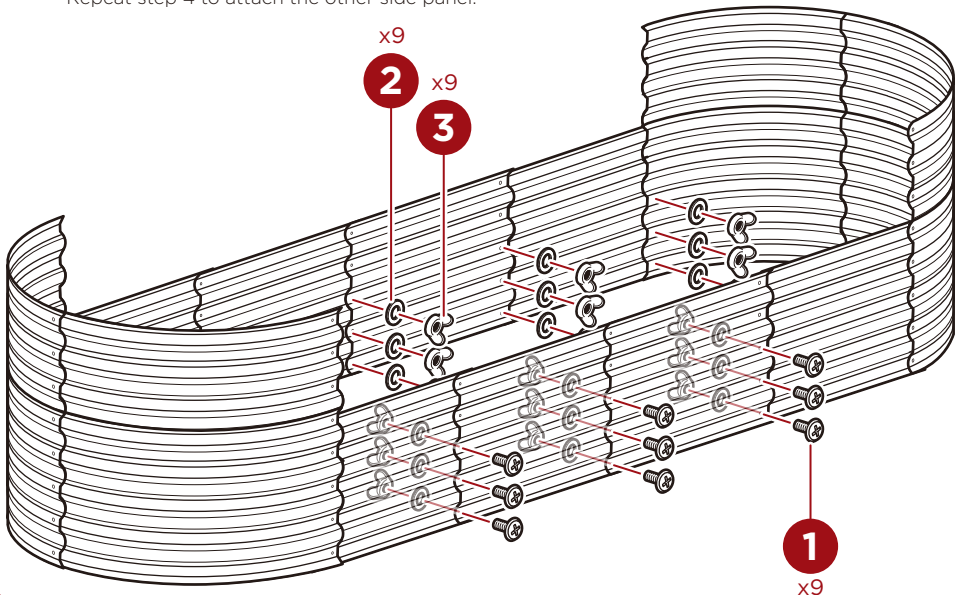


4

Connect two **part B side panels** with three **part 1 screws**, three **part 2 wingnuts**, and three **part 3 washers**. Leave the top two connector holes open.

Attach this side panel assembly to the two end panel assemblies with six **part 1 screws**, six **part 2 wingnuts**, and six **part 3 washers**. Leave the top two connector holes open.

Repeat step 4 to attach the other side panel.

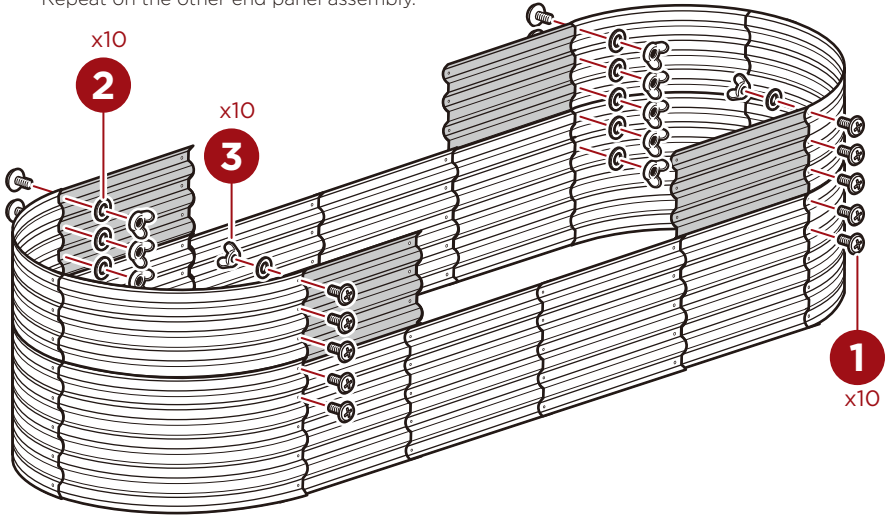


PRODUCT ASSEMBLY

5

Attach two **part B side panels** to the top of the one end panel assembly and lower side panel with five **part 1 screws**, five **part 2 wingnuts**, and five **part 3 washers**. Overlap the open holes on the end panel and lower side panel before securing the screws.

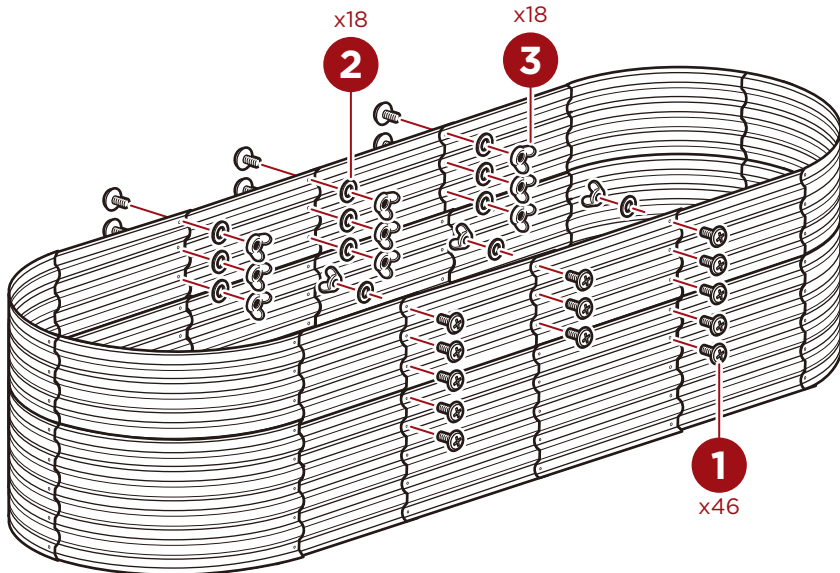
Repeat on the other end panel assembly.



6

Connect two **part B side panels** with three **part 1 screws**, three **part 2 wingnuts**, and three **part 3 washers**. Leave the bottom two connector holes open.

Attach this side panel assembly to the two end panel assemblies with ten **part 1 screws**, six **part 2 wingnuts**, and six **part 3 washers**. Overlap the open holes on the end panel and lower side panel before securing the screws.

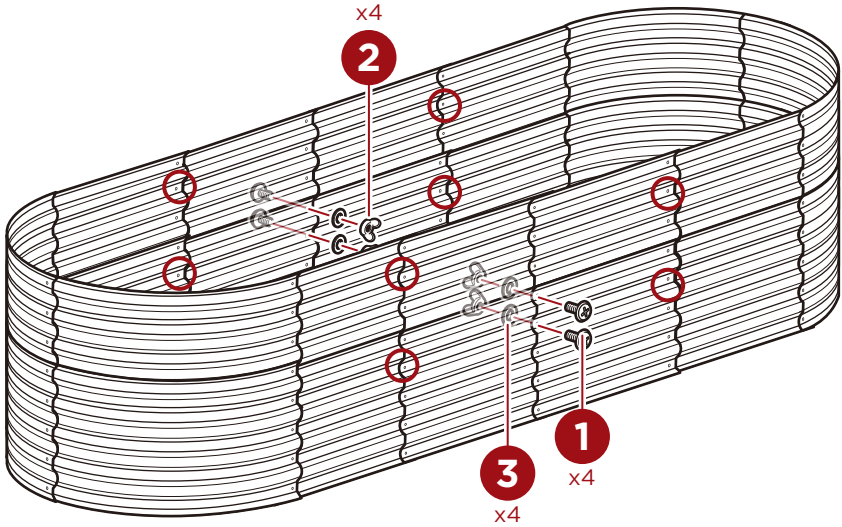


PRODUCT ASSEMBLY

7

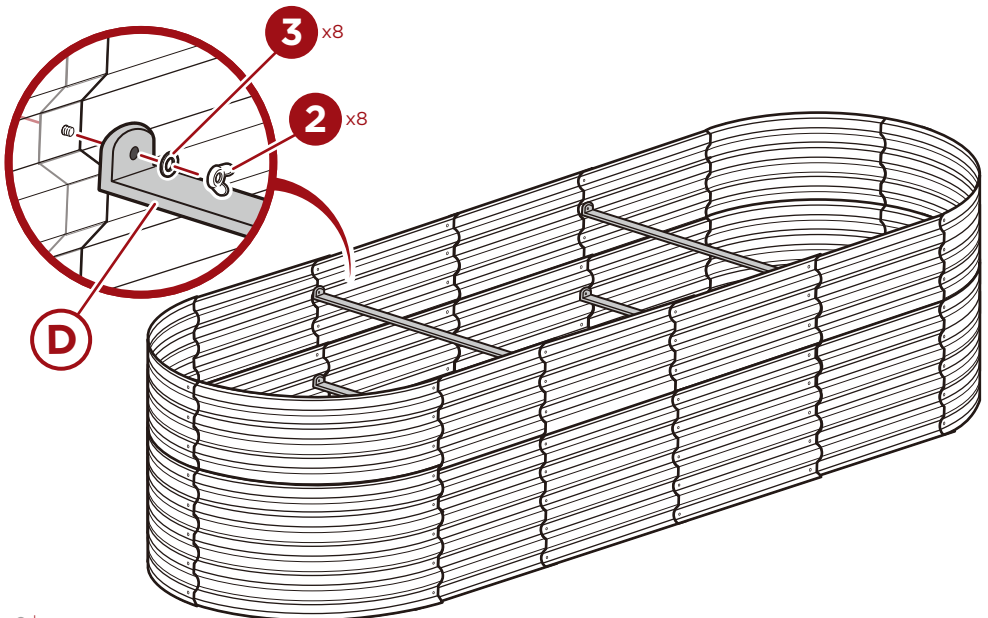
Secure the center **part B side panels** with four **part 1 screws**, four **part 2 wingnuts**, and four **part 3 washers**.

Locate the four central panels on both sides of the garden bed, then remove the screws, wingnuts, and washers from the second hole from the top of each panel.



8

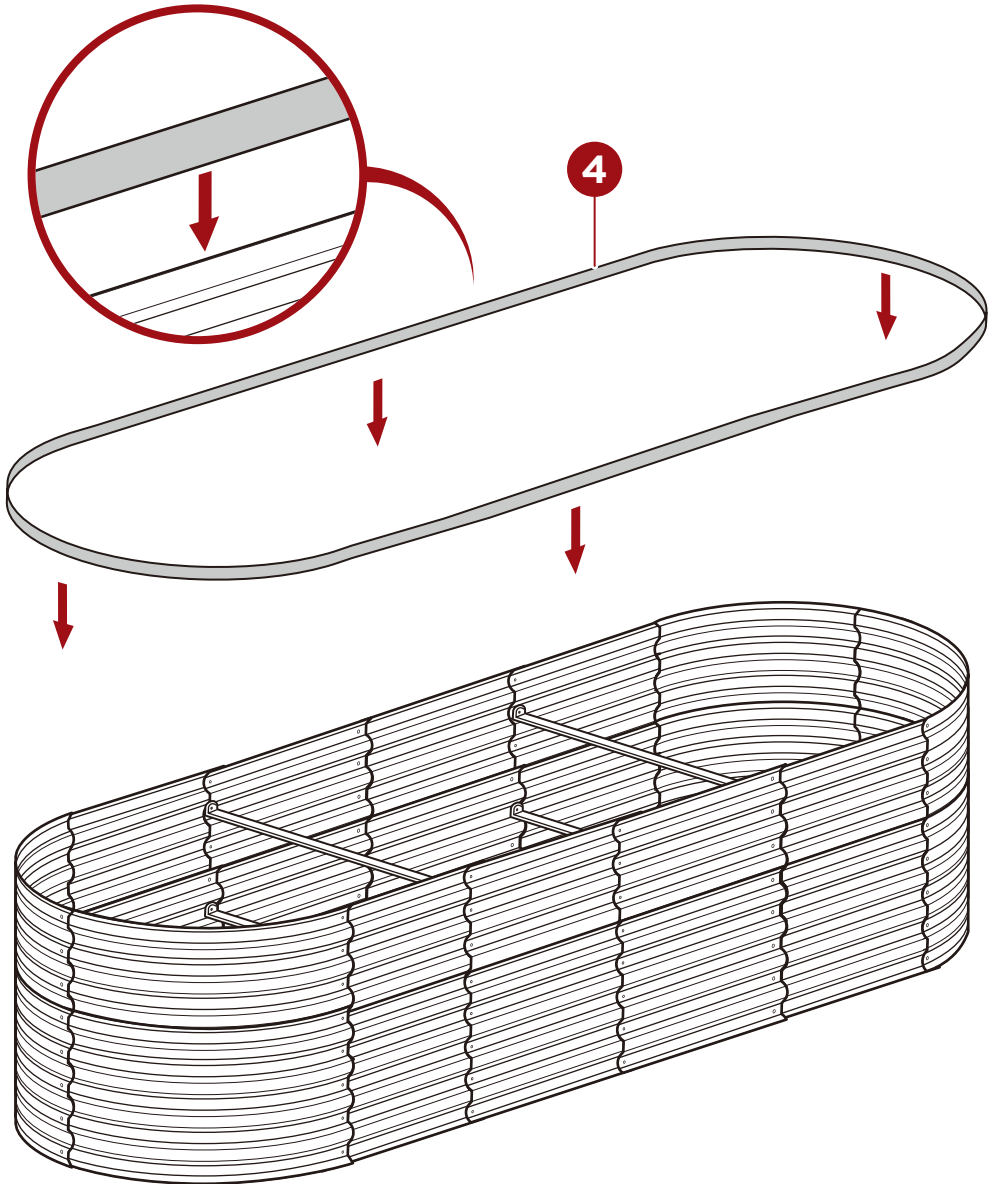
Attach the four **part C bracing rods** with the eight **part 1 screws**, eight **part 2 wingnuts**, and eight **part 3 washers** removed in the previous step, two sets of hardware per bracing rod.



PRODUCT ASSEMBLY

9

Place the **part 4 rubber bumper** onto the top edges of the assembled garden bed.





HELP CENTER



Question about your product? We're here to help. Visit us at:

help.bestchoiceproducts.com



Chat Support



Product Inquiry



Orders FAQ



Product Assembly



Returns & Refunds

PRODUCT WARRANTY INFORMATION

All items can be returned for any reason within 60 days of the receipt and will receive a full refund as long as the item is returned in its original product packaging and all accessories from its original shipment are included. All returned items will receive a full refund back to the original payment method. All returned items will not be charged a re-stocking fee.

All returned items require an RA (Return Authorization) number, which can only be provided by a Best Choice Products Customer Service Representative when the return request is submitted. Items received without an RA may not be accepted or may increase your return processing time. Once an item has been received by Best Choice Products, refunds or replacements will be processed within 5 business days.

All returns must be shipped back to the Best Choice Products Return Center at the customer's expense. If the reason for return is a result of an error by Best Choice Products then Best Choice Products will provide a pre-paid shipping label via email. Boxes for return shipping will not be provided by Best Choice Products, and is the customer's responsibility to either use the original shipping boxes or purchase new boxes.

Pictures may be required for some returns to ensure an item is not damaged prior to its return. Items returned are not considered undamaged until they are received by Best Choice Products and verified as such. All damages to items are the customer's responsibility until the item has been received by and acknowledged by Best Choice Products as undamaged.

© 2023 Best Choice Products, Inc. All rights reserved. Distributed by Best Choice Products, Inc. Tustin, CA 92780

WARNING

Manufacturer and seller expressly disclaim any and all liability for personal injury, property damage or loss, whether direct, indirect, or incidental, resulting from the incorrect attachment, improper use, inadequate maintenance, unapproved modification, or neglect of this product.