



Accord®

60" x 36" Vikrell® shower with Aging in Place
backerboards, center drain
72270106



Features

- 3-1/2" (89 mm) threshold
- Durable high-gloss finish
- Pivot snap-together modular design
- Geometric back-wall design
- Convenient shelves provide generous storage space
- Aging in Place backerboards

Material

- Made from solid Vikrell® material for strength, durability, and lasting beauty

Installation

- Alcove
- Center drain
- Caulk-free installation

Recommended Products/Accessories

- 5475-59 Frameless sliding shower door
- 5970-59 Framed sliding shower door
- 5975-59 Framed sliding shower door
- 5976-59 Framed sliding shower door
- 547808-59 Frameless sliding shower door
- 581075-59 Frameless sliding shower door
- 80001012 12" straight grab bar
- 80001018 18" straight grab bar
- 80001024 24" straight grab bar
- 80011032 32" straight grab bar
- 80001036 36" straight grab bar
- 80012031 28" curved grab bar

Included Components

- 72245106 36" Vikrell® shower end wall set with Aging in Place backerboards
- 72271100 60" x 36" Vikrell® shower base, center drain
- 72272106 60" Vikrell® shower back wall with Aging in Place backerboards



Codes/Standards

- CSA B45.5/IAPMO Z124
- ASTM E162
- ASTM E662
- HUD, UM Bulletin 73

STERLING® Vikrell® or Acrylic Baths and Shower Bases Ten-Year Limited Warranty

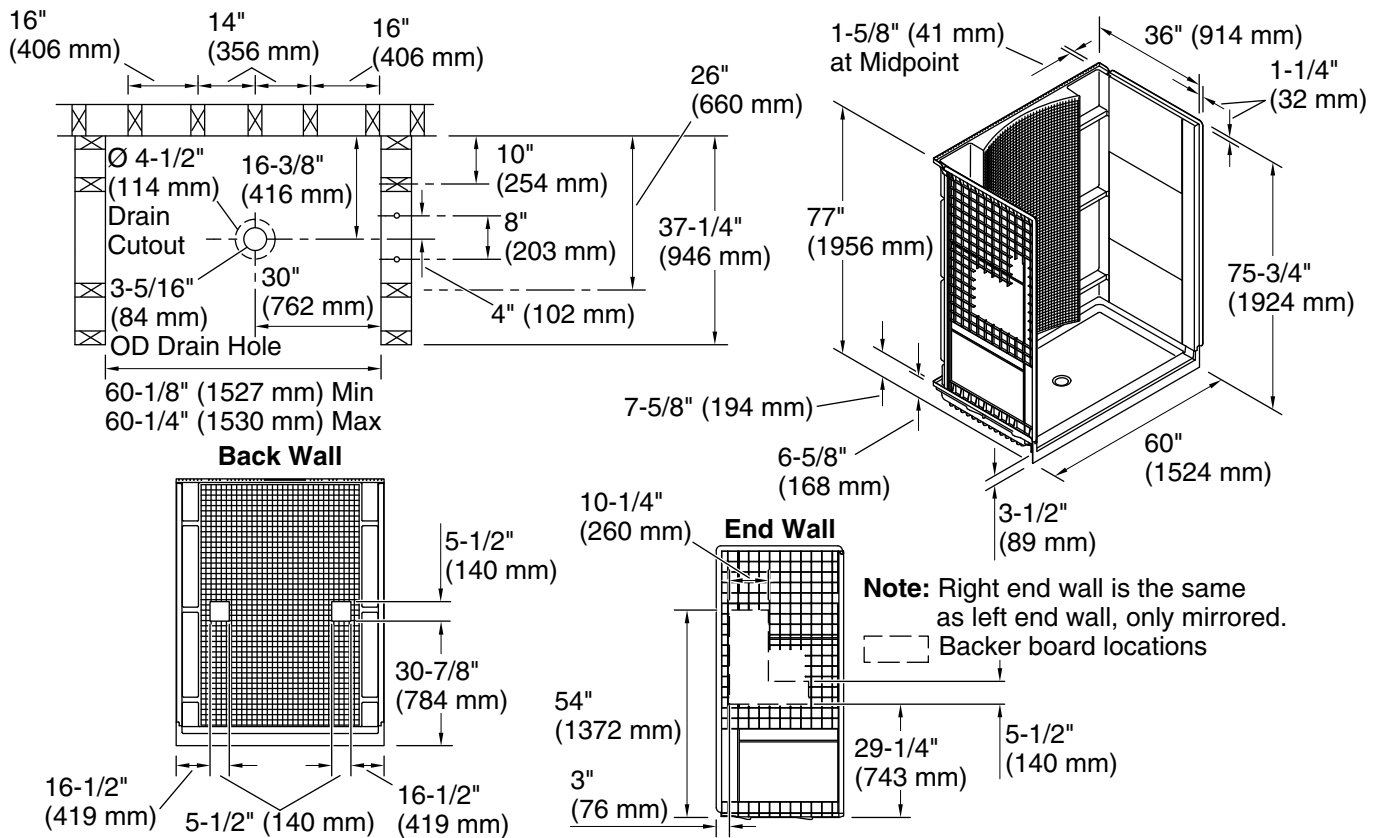
See website for detailed warranty information.

1-800-STERLING (1-800-783-7546)

Kohler Co. reserves the right to make revisions without notice to product specifications.

For the most current Specification Sheet, go to www.sterlingplumbing.com.

1-25-2026 20:29 - US/CA



Technical Information

All product dimensions are nominal.

Drain location:	Center
Minimum flat for door:	3-1/4" (83 mm)
Maximum door height:	72" (1829 mm)
Maximum door width:	56-5/8" (1438 mm)

Notes

- Install this product according to the installation instructions.
- Receptor cannot be installed without the wall surround.
- Attach grab bars at the specified backerboard locations only.
- Studs should be positioned roughly as shown. Double studding is recommended for pivot shower door installations.