

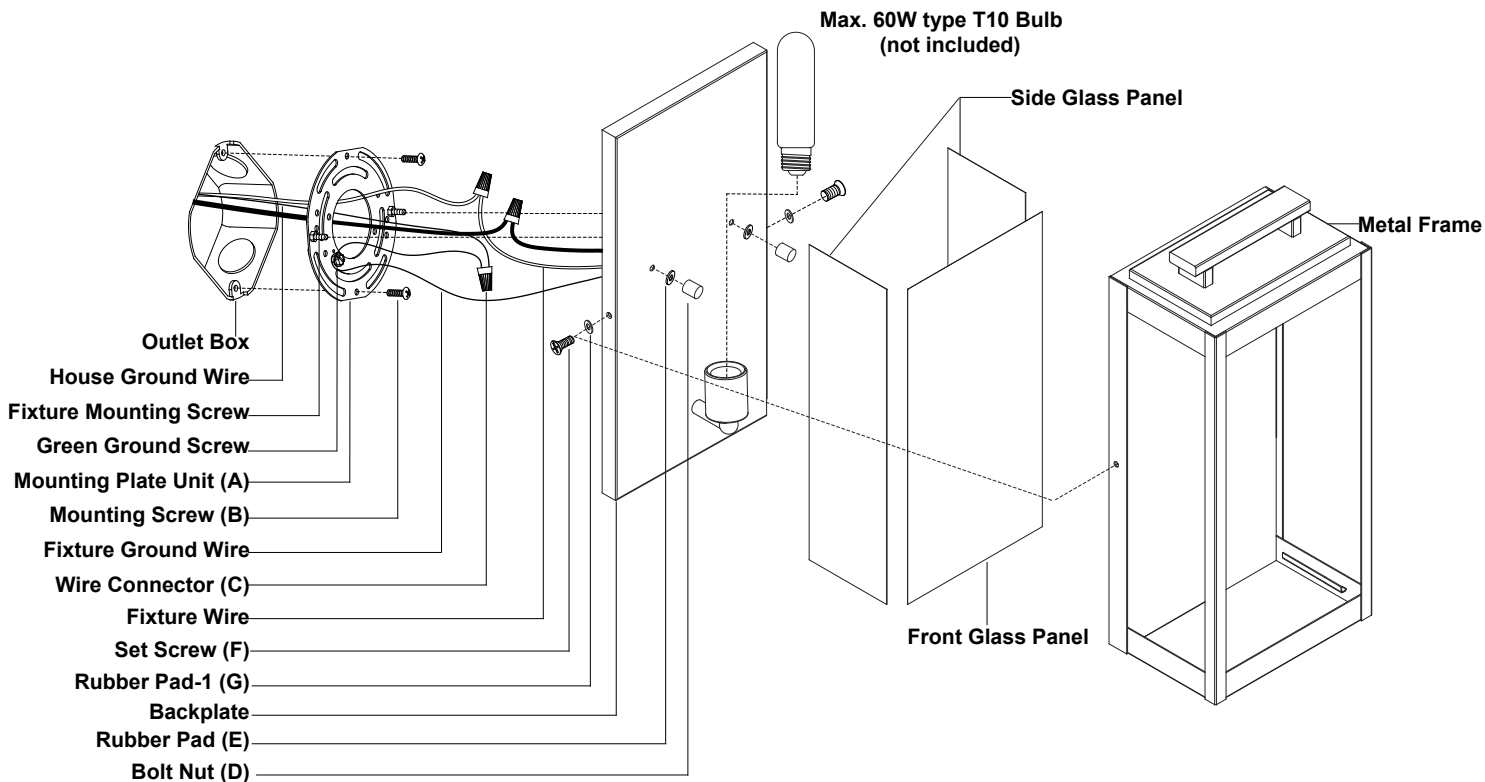
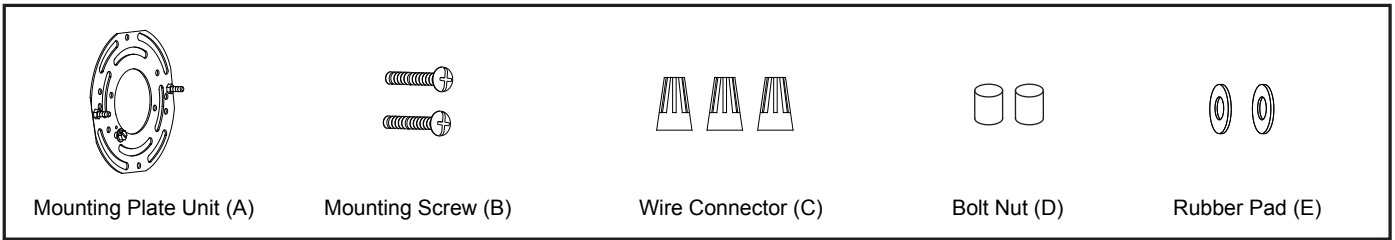
# ASSEMBLY AND INSTALLATION INSTRUCTIONS

T0705

**WARNING: Turn off the main power at circuit breaker before installing fixture.**  
**AVERTISSEMENT: Coupez la source d'alimentation principale au panneau central de disjoncteurs avant d'installer le luminaire.**

**NOTE: 1. Before installing, consult local electrical codes for wiring and grounding requirements.**  
**2. Read and save these instructions.**

## Hardware Package (included):



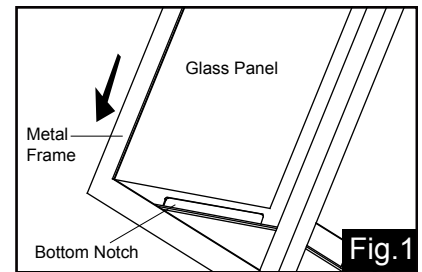
## Installation Steps

Turn off the power at fuse or circuit box.

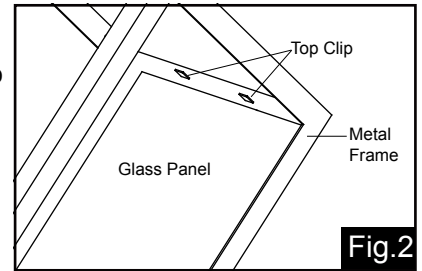
1. Unscrew the two set screws (F), remove the two rubber pads-1 (G) and the metal frame from the backplate.
2. Unscrew the two bolt nuts (D), remove the two rubber pads (E) and the mounting plate unit (A) from the backplate.
3. Attach the mounting plate unit (A) to the outlet box by using two mounting screws (B). Adjust the length of the preinstalled fixture mounting screws if necessary.

**Note: Make sure that two fixture mounting screws are lined up horizontally to make the fixture level.**

4. Pull out the source wires from the outlet box. Make wire connections using wire connectors (C) as follows:
- Connect the hot wire (black insulation) from the fixture to the black wire from the power source.
  - Connect the neutral wire (white insulation) from the fixture to the white wire from the power source.
  - Attach the fixture ground wire (bare wire) to the mounting plate unit (A) with green ground screw. Then, depending on local code, connect it to the house ground wire with the wire connector (C).
- Carefully put all of the wires back into the outlet box.



5. Attach the backplate to the mounting plate unit (A) by aligning and inserting the two fixture mounting screws into holes on backplate, then secure it with two rubber pads (E) and two bolt nuts (D).



6. Install the bulb (not included). See relamping label at socket area or packaging for maximum wattage allowed.

7. Gently insert the front glass panel into the bottom notch of the metal frame, then secure it by pressing top clips on top side of the metal frame. Repeat with the side glass panels. (See Fig.1 and Fig.2)

8. Attach the metal frame to the backplate, then secure it with the two rubber pads-1(G) and two set screws (F).

**Note: With silicone caulk compound, caulk completely around where the backplate meets with the wall surface to prevent water from seeping into the outlet box.**

Turn on the power at fuse or circuit box.

The following parts are available for re-order if damaged or missing.

**Spare Parts List:**

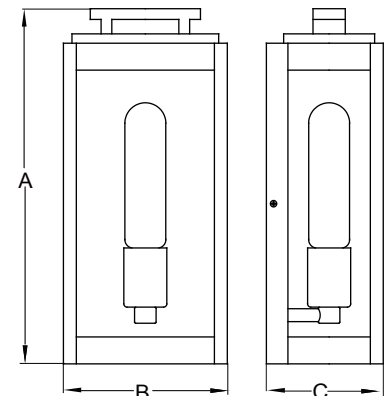
Mounting Plate Unit (A)    Mounting Screw (B)    Wire Connector (C)    Bolt Nut (D)    Rubber Pad (E)

Assembly Kit 6634MM (1 SET)

Set Screw (F)    Rubber Pad-1 (G)

Assembly Kit 6647AK (1 SET)

Front Glass Panel 10346CG    Side Glass Panel 10347CG



A: 13"    B: 6"    C: 4-1/4"

### 1 Year Warranty

Vaxcel warrants all of our products against defects in workmanship and finishes for one year following the date of shipment.

*Exclusions: This warranty does not include the failure of products from extreme acts of nature; environmental conditions not suited for the products intended use; operation in temperatures outside of the range specified in the instruction manual; usage with improper power supply, power surges or dips. For coastal locations, some corrosion is considered normal for the environment.*

*Vaxcel reserves the right to repair, replace or issue a credit for any properly installed product, provided it is returned per RMA instruction. This warranty is limited to the cost of the product only and does not extend to transportation, installation or replacement costs.*

How can warranty service be obtained?

info@vaxcel.com  
1-800-482-9235



230210