

## For Residential and Commercial Applications

Job Name:

Engineer/Architect:

Job Location:

Wholesaler:

Submittal Date:

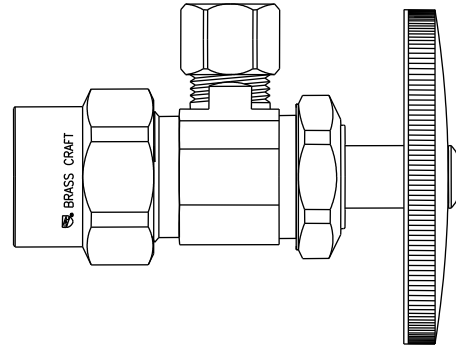
Contractor:

### PR09/ PR19/ PR39 Multi-Turn Angle Stop – CPVC x Compression

**Use:** For use in potable water distribution systems in accessible locations only. Not intended for recirculating water systems that produce continuous use temperatures above 115° F. For those applications, use our KT™ series ball stop.

**Design Features:**

- **Machined one-piece brass body** provides strength, durability, and long-lasting performance
- **Oval knurled handle** provides a secure grip and smooth on/off operation
- **DESIGNED, MACHINED AND ASSEMBLED IN THE USA**



Excludes loose key handle

**Operating Specifications:**

**Temperature:** 40° - 160° F

**Pressure:** 125 PSI maximum

STOP MATERIAL SPECIFICATIONS	
<b>Body</b>	<i>Brass or brass, plated</i>
<b>Stem</b>	<i>POM; brass; or brass, plated</i>
<b>Handle</b>	<i>ABS, plated or polycarbonate</i>
<b>Handle Screw</b>	<i>Steel, zinc plated</i>
<b>Bib &amp; Packing Washer</b>	<i>Rubber</i>

STOP MATERIAL SPECIFICATIONS	
<b>Packing Nut</b>	<i>Brass or brass, plated</i>
<b>CPVC Insert</b>	<i>CPVC</i>
<b>CPVC Washer</b>	<i>Rubber</i>
<b>CPVC Nut</b>	<i>Brass or brass, plated</i>
<b>Compression Sleeve &amp; Nut</b>	<i>Brass</i>

**Part Listing:**

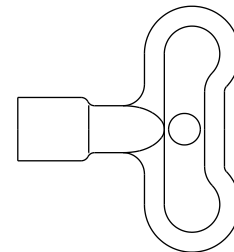
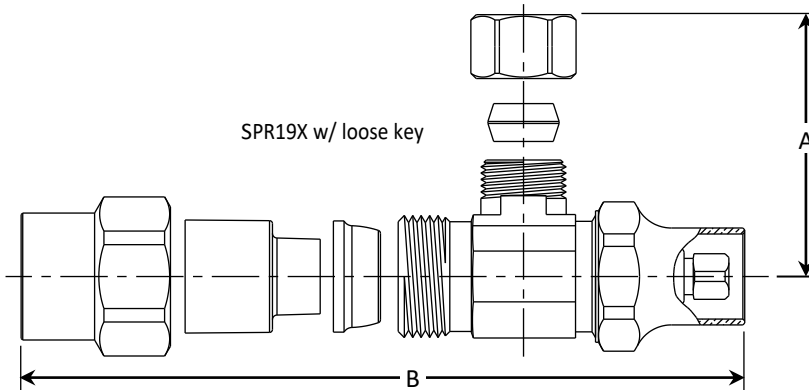
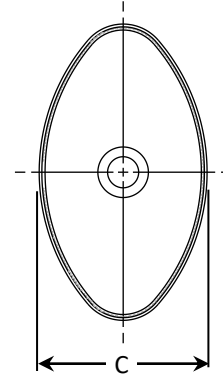
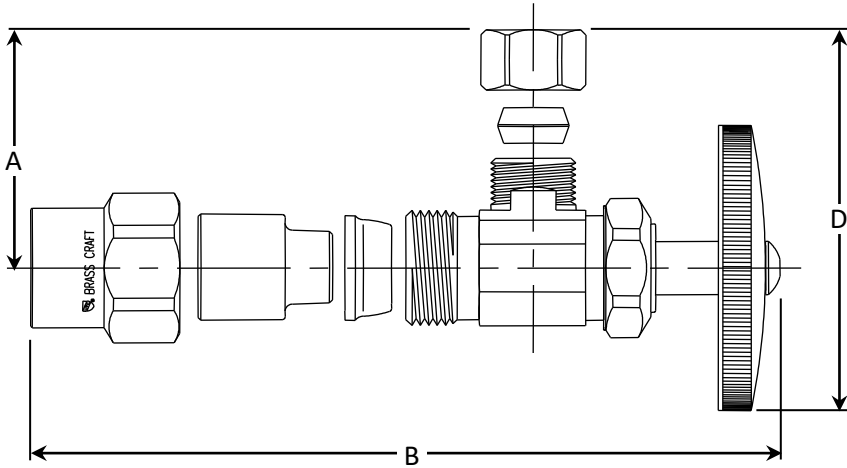
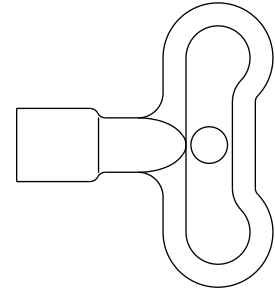
- PR09X R 1/2" nom CPVC x 1/4" OD compression, rough brass
- PR19X R 1/2" nom CPVC x 3/8" OD compression, rough brass
- PR19X BZ 1/2" nom CPVC x 3/8" OD compression, oil rubbed bronze
- PR19X NS 1/2" nom CPVC x 3/8" OD compression, satin nickel
- PR19X C1 1/2" nom CPVC x 3/8" OD compression, chrome, window tray
- PR39X C 1/2" nom CPVC x 1/2" OD compression, chrome
- PR39X R 1/2" nom CPVC x 1/2" OD compression, rough brass
- SPR19X C 1/2" nom CPVC x 3/8" OD compression, loose key, chrome

HANDLE MATERIAL SPECIFICATIONS	
<b>Loose Key</b>	<i>Zinc die cast</i>
<b>Loose Key Stem</b>	<i>Brass</i>
<b>Lock Shield</b>	<i>Brass, plated</i>

*This specification and all information contained herein is the confidential and exclusive property of BrassCraft Manufacturing Company and shall not be disclosed to others without the written consent of BrassCraft. This specification must be returned to BrassCraft if requested.*

# PR09/ PR19/ PR39 Multi-Turn Angle Stop – CPVC x Compression

PART DIMENSIONS (Inches)					
Model	DIM. A	DIM. B w/Loose Key	DIM. B w/Handle	DIA. C	DIM. D
PR09X	1.01	N/A	2.75	1.14	1.76
PR19X	1.01	N/A	2.75	1.14	1.76
PR39X	1.15	N/A	2.75	1.14	1.76
SPR19X	1.01	3.09	N/A	N/A	N/A



OPTIONAL "LOOSE KEY"

**Listings & Certifications:**

- IAPMO listed to ASME A112.18.1 / CSA B125.1 (includes NSF/ANSI372 & NSF61)

NSF/ANSI/  
CAN61:Q≤0.5



Excludes loose key handle

*This specification and all information contained herein is the confidential and exclusive property of BrassCraft Manufacturing Company and shall not be disclosed to others without the written consent of BrassCraft. This specification must be returned to BrassCraft if requested.*