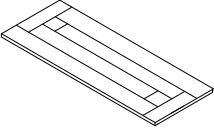
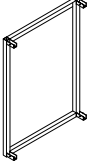
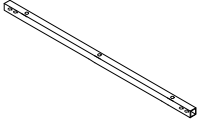
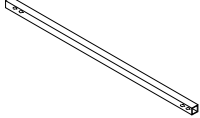



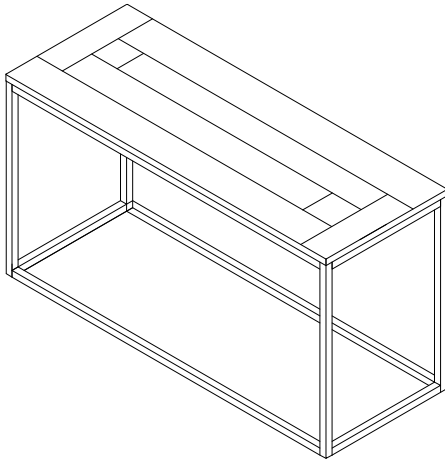


# ASSEMBLY INSTRUCTION

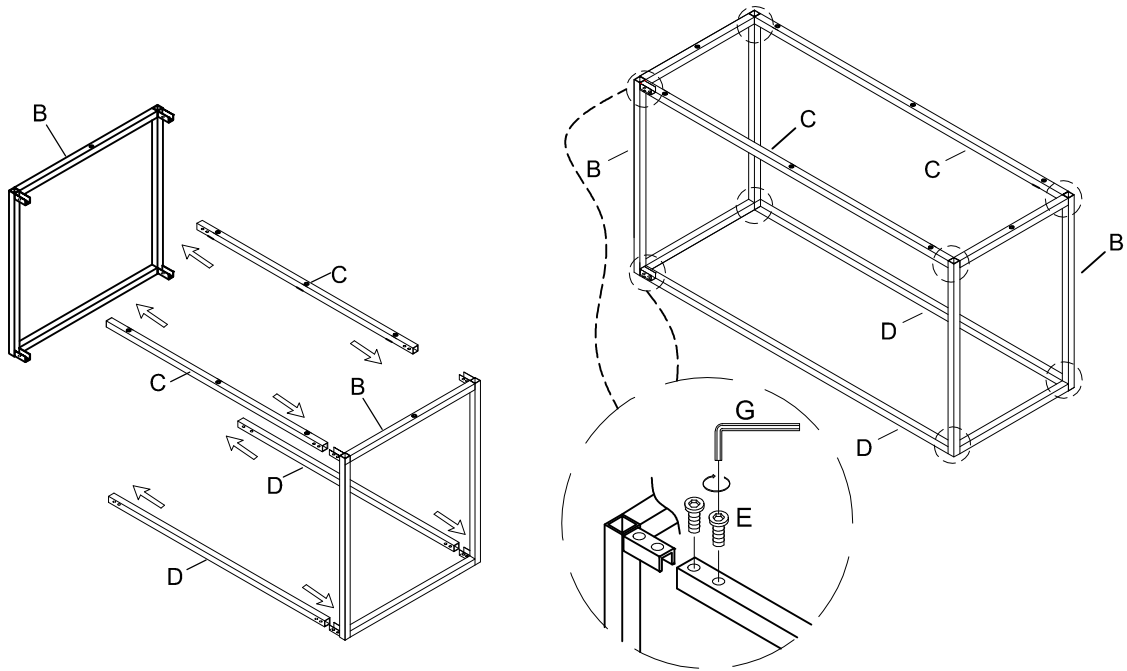
## SOFA TABLE

<b>A</b> Top Panel  1PC	<b>B</b> Side Frame  2PCS	<b>C</b> Upper Rail  2PCS	<b>D</b> Lower Rail  2PCS
<b>E</b> Bolt 1/4" x 1/2"  16PCS	<b>F</b> Bolt 1/4" x 1-1/2"  8PCS	<b>G</b> Allen Key 4mm  1PC	

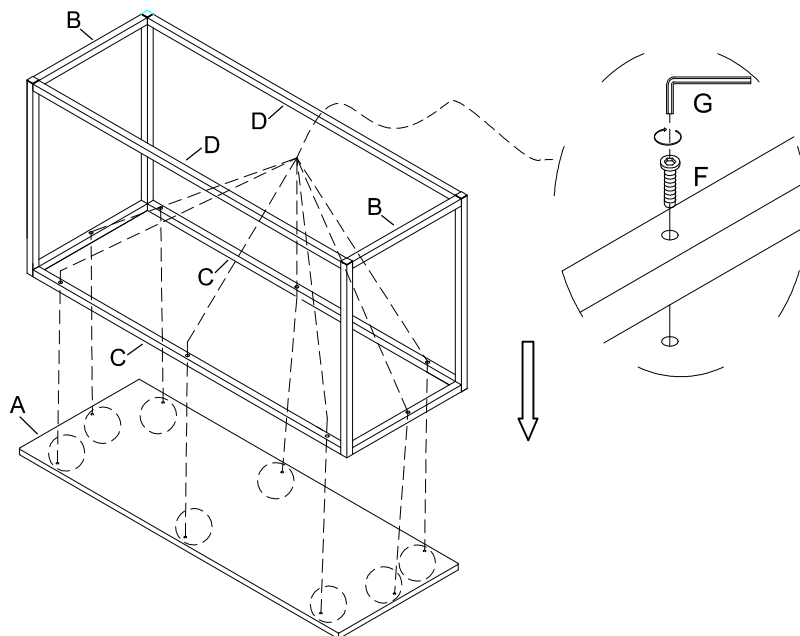


This page lists all the contents included in the box. Please take the time to identify the hardware as well as the individual components to this product. As you unpack and prepare for assembly, place the contents on a carpeted or padded area to protect them from damage.

**1** Assemble Upper Rail (C) and Lower Rail (D) to Side Frame (B) using Bolt (E) with Allen Key (G).



**2** Put Top Panel (A) and the assembled metal frame upside down, then attach the assembled metal frame to Top Panel (A) using Bolt (F) with Allen Key (G).



### Cleaning & Care

Treat surface with care. Surface is resistant to scratches but is not scratch resistant. Clean surfaces with a dry or damp soft cloth. Do not use abrasive cleaners. Hardware may loosen over time. Periodically check that all connections are tight.