

SECTION A-A

STATIC TORQUE RECOMMENDATION  
**23-40in-lbs**  
 THIS REQUIREMENT MAY VARY DEPENDING  
 UPON BOTTLE MATERIAL, NECK FINISH, AND  
 CAPPING EQUIPMENT

THREAD DETAIL: 6 THREADS PER INCH, 0.167" PITCH			
REFERENCE	TOLERANCE	UNITS	DIMENSION
E	±0.015 [0.38]	in [mm]	2.138 [54.30]
T	±0.015 [0.38]	in [mm]	2.235 [56.77]
H	±0.010 [0.25]	in [mm]	0.400 [10.16]
OAH	±0.012 [0.30]	in [mm]	0.459 [11.65]
OD	±0.015 [0.38]	in [mm]	2.344 [59.54]
PART WEIGHT	± 1.50	g	5.80

DISCLAIMER

THIS INFORMATION IS PROVIDED AS A GENERAL GUIDE, INCLUDING DIMENSIONS. IT IS THE CUSTOMER'S RESPONSIBILITIES TO SELECT THE PROPER CONTAINER FOR PRODUCT AND APPLICATION COMPATIBILITY.

DISTRIBUTED BY:



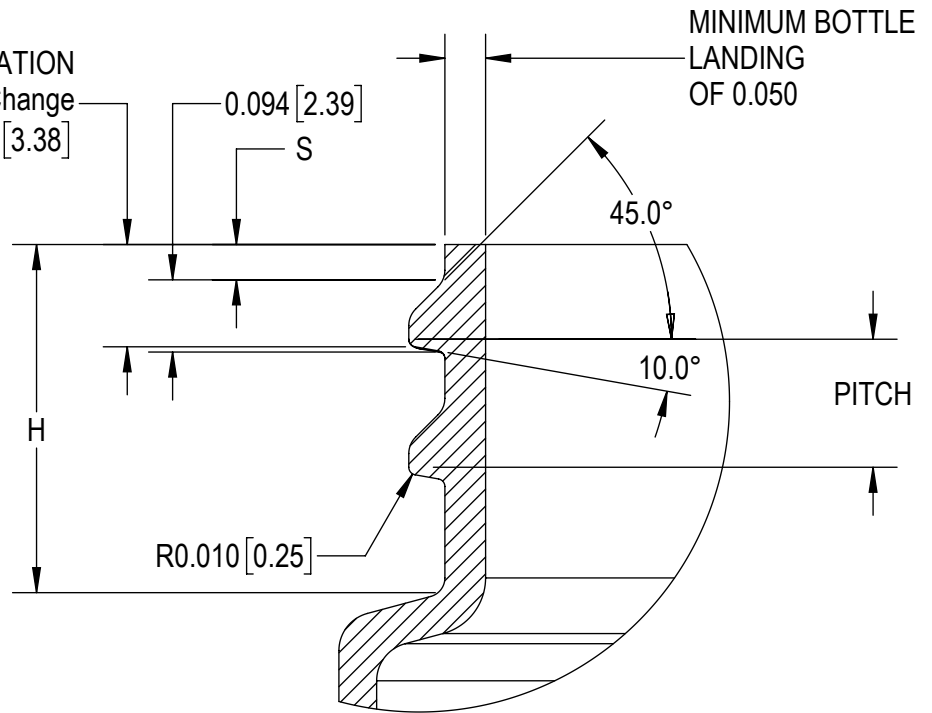
REF NO.:

DWG32006

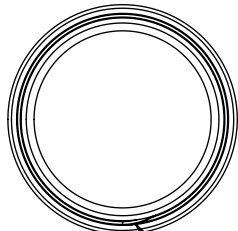
DESCRIPTION:

58-400 PP Smooth Top, Smooth Sides Cap with PS22 Liner

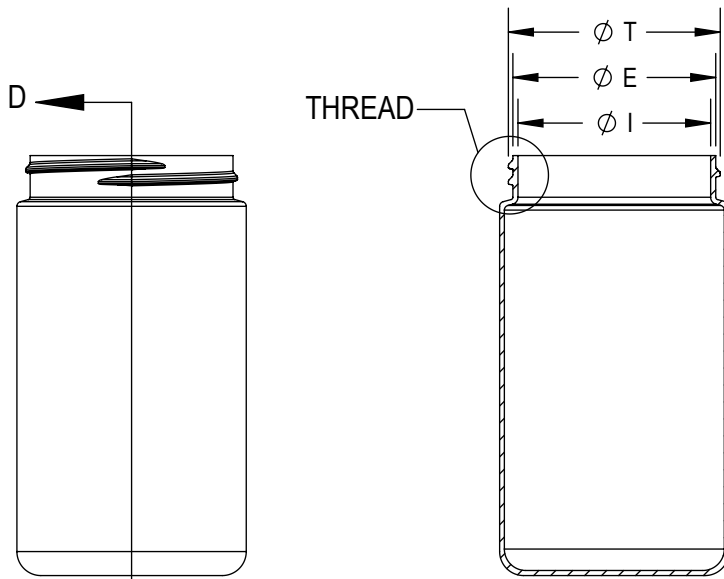
CRITICAL FOR ORIENTATION  
 .001" = 2 Degrees in Change  
 S' 0.133 [3.38]



DETAIL THREAD  
 SCALE 4 : 1



THREAD START



SECTION D-D

REFERENCE	TOLERANCE	UNITS	DIMENSIONS
E	±0.017 [0.43]	in [mm]	2.113[53.67]
T	±0.017 [0.43]	in [mm]	2.207[56.07]
I	MINIMUM	in [mm]	1.974 [50.14]
S	±0.015 [0.38]	in [mm]	0.046[1.17]
H	±0.015 [0.38]	in [mm]	0.408[10.36]
TPI			6
PITCH		in	0.167

DISCLAIMER

THIS INFORMATION IS PROVIDED AS A GENERAL GUIDE, INCLUDING DIMENSIONS. IT IS THE CUSTOMER'S RESPONSIBILITIES TO SELECT THE PROPER CONTAINER FOR PRODUCT AND APPLICATION COMPATIBILITY.

DISTRIBUTED BY:



REF NO.:

DWG32006

DESCRIPTION:

58-400 PP Smooth Top, Smooth Sides Cap with PS22 Liner

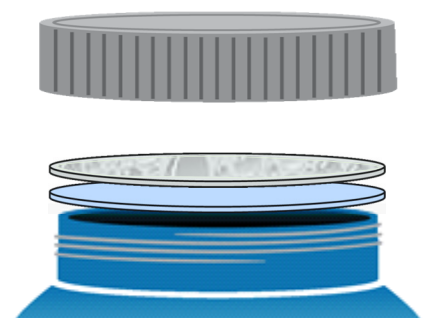
# PRODUCT DATA SHEET

## PressureSeal 20

- PressureSeal 20 is an inner seal with a construction of polystyrene foam coated with pressure sensitive adhesive.
- The US FDA does not consider liners applied with pressure sensitive adhesive to be an effective tamper-resistant feature.
- Recommended for use with dry products.
- Available with standard or custom print.

### Typical Product Attributes

#### Construction

Polystyrene Foam Pressure Sensitive Adhesive		SI (µm)	US (Mils)
		508,0 50,8 – 76,2	20.0 2.0 – 3.0
Thickness Tolerance		± 10%	± 10%
Minimum Width		25,4 mm	1.0 in
Width Tolerance		± 1,6 mm	± 0.0625 in

#### Properties

Oxygen Transmission (O <sub>2</sub> TR)	Not Tested
Water Vapor Transmission (WVTR)	Not Tested

#### Regulatory Compliance

FDA Compliance	21 CFR 177.1640 Polystyrene and rubber-modified polystyrene. 21 CFR 177.1210 Closures with sealing gaskets for food containers. 21 CFR 175.125 Pressure-sensitive adhesives.
Drug Master File (DMF)	002518
Other Compliances	USFDA Food Allergen Guidelines   California Proposition 65 Labeling Requirements   Limitations of Heavy Metals in Packaging per CONEG & EU 94/62/EC, Article 11
Safety Data Sheet (SDS) Statement	Safety Data Sheets (SDS) are not required for articles as defined in 29 CFR 1910.1200, the OSHA Hazard Communication Standard (HazCom). This product is an article as defined by HazCom and is not considered to be, or to contain, a hazardous chemical based on evaluations made by our company.

Please note that construction does not reflect adhesive or resin bonding layers, if present.

DISTRIBUTED BY:



REF NO.:

DWG32006

DESCRIPTION:

58-400 PP Smooth Top, Smooth Sides Cap with PS22 Liner

#### DISCLAIMER

THIS INFORMATION IS PROVIDED AS A GENERAL GUIDE, INCLUDING DIMENSIONS. IT IS THE CUSTOMER'S RESPONSIBILITIES TO SELECT THE PROPER CONTAINER FOR PRODUCT AND APPLICATION COMPATIBILITY.