

BOTTLE DESIGN:
 SIZE:
 WEIGHT:
 NECK:
 BACK VENT:
 UN RATING:
 SPECIAL TAG?:
 MATERIAL:
 COLOR:
 MAIN CLOSURE:
 VENT CLOSURE:
 DUST CAP:

	RST
	20L
	1600
	70MM 6TPI TE
	No Back Vent
	Y 1.8/150
	Y 1.8/150
	HDPE
	PMS 2728
	70X 6 TPI TE
	N/A
	Yes

PALLETS?
 PALLET QTY:
 BUNDLES:
 BANDING:

	48X40 B++
	30
	2880
	Yes

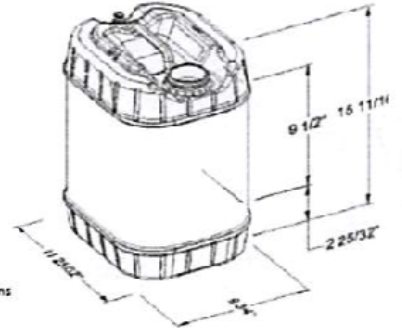
20 Liter Rectangular Tight Head with Integrated Handle

Product Uses: Product Codes
 Liquid Products: Rectangular Tight Head: RST Series
 Multiple Neck Finishes and Vent Options

Features
 UN Rating: 3H1/Y1.8/100
 Nominal capacity: 5.283 USG / 20 L
 Maximum capacity: 5.60 USG / 21.20 L

Colors
 Standard: White, Black, Blue and Natural
 Custom: Available at manufacturer's discretion

Decorating Options
 Maximum Print Area:
 Perimeter = 37.29/32" X 9.25"H
 Containers can be decorated. See Salesperson for Options



Shipping Data:	Containers	Filled Containers
Qty. per floor spot:	36	Refer to BWAY document #ETS-CD-1002 for storage and shipping recommendations.
Gross Weight (lbs./kgs.)**:	270 / 123	Notes: *Quantity can vary based on customer request **Weight does not include pallet/packaging ***Based on 53' trailer and standard pallet quantities
Length (in./cm.):	47.125 / 120	
Width (in./cm.):	34.3438 / 90	
Height (in./cm.):	96 / 248	
Approximate truckload quantity of 2880 pails and covers***		

Materials
 FDA approved materials
 Resin: HDPE
 MSDS Sheets and Technical Bulletin available upon request

Handle - Integrated into Body



DISCLAIMER

THIS INFORMATION IS PROVIDED AS A GENERAL GUIDE, INCLUDING DIMENSIONS. IT IS THE CUSTOMER'S RESPONSIBILITIES TO SELECT THE PROPER CONTAINER FOR PRODUCT AND APPLICATION COMPATIBILITY.

DISTRIBUTED BY:		REF NO.:	DWG30583
DESCRIPTION:		20 liter HDPE Square Tight Head, 70 mm & No Vent	