

This picture is for illustration purpose only and does not necessarily correspond to the specified product.

Weights and measures

Nominal Capacity	1,000 l	275 gal US
Brimful Capacity	1,060 l	280.027 gal US
Length	1,200 mm	47.240 in
Width	1,000 mm	39.370 in
Height with pallet	1,160 mm	45.670 in
Total weight approx.	59.1 kg	130.3 lbs US

Pallet

Pallet type	Plastic-framepallet
Opening height	min. 90mm, 4-way entry

Outer container

Grid	Steel, galvanized
Bottom plate	Steel, galvanized
Corner protector	black
Label plate	extra large - 8 field, with Schütz-Ticket
additional label plate	backside extra large - 8 field

Inner container

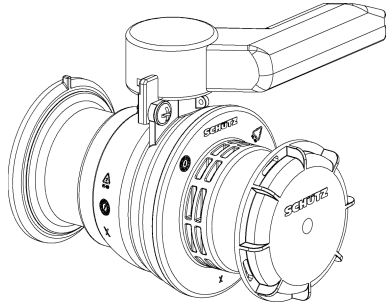
Rectangular blow molded tank of high density polyethylene	
Container	PE-HD, natural

Filling opening

Screw cap	DN150 / 6", PE-HD, green
O-ring gasket	TPE

Discharge opening

Outlet valve	ball-valve DN50/2", intergrate
Case	PE-HD
Connection thread	camlock
Flap gasket / Ball gasket	EPDM
Handle color	green, Handle protection
Screw cap	PE-HD
Screw cap gasket	PE, foamed
Screw cap color	natural



Features

UN-Marking

UN31HA1/Y/MM YY/USA/+AA2572/~3671/2033/1040L/60KG/100KPA SCHUETZ#

Heavy metals

Concentration level of heavy metals (Pb, Cd, Cr VI and Hg) in packaging does not exceed 100 ppm

Delivery

Ready for filling. The customer or filler is responsible for testing the material compatibility of the filling material with the packaging

DISCLAIMER

THIS INFORMATION IS PROVIDED AS A GENERAL GUIDE, INCLUDING DIMENSIONS. IT IS THE CUSTOMER'S RESPONSIBILITIES TO SELECT THE PROPER CONTAINER FOR PRODUCT AND APPLICATION COMPATIBILITY.

DISTRIBUTED BY:



REF NO.:

DWG20526

DESCRIPTION:

275 Gallon New IBC Tote with 6" Green Cap and 2" Ball Valve, Plastic Pallet