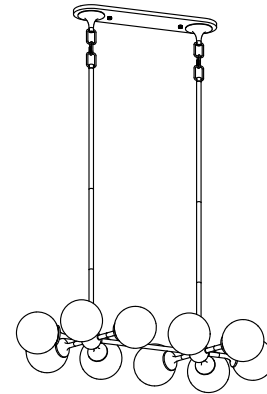


## Features

- Globular glass shades extend from rods with flared metal detail in elegant transitional designs suited for any room
- Coordinates with other products in the Bellera collection
- Requires ten bulbs with candelabra (E12) base; type T bulb recommended (sold separately)
- Suitable for damp locations, per UL 1598
- Includes installation hardware
- Fixture is dimmable when paired with dimmer switch and compatible bulbs

## Material

- Premium metal and glass construction
- Manufactured with quality materials and complemented with a meticulous finishing process
- Durable finishes engineered to last and designed to coordinate with KOHLER faucet finishes



## Codes/Standards



UL 1598  
CSA C22.2 No. 250.0

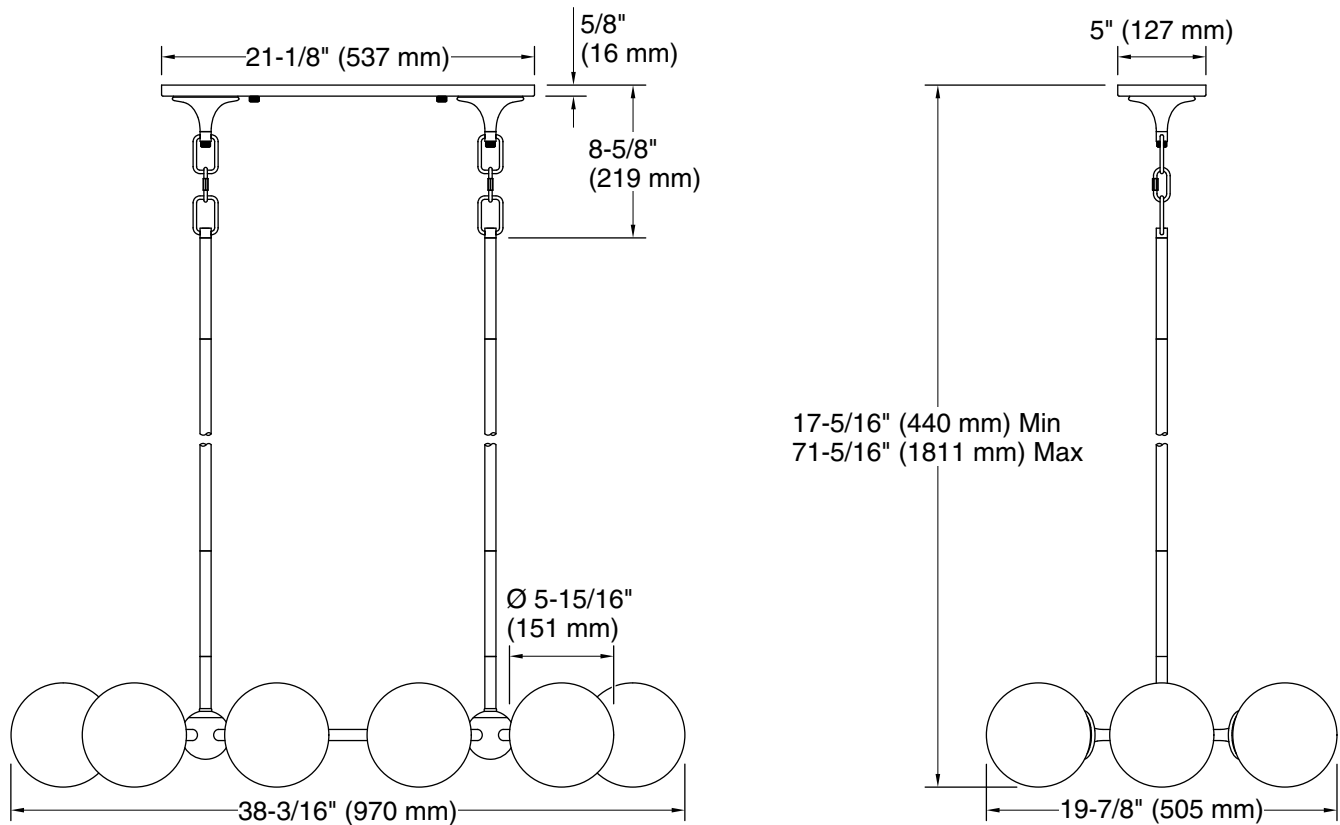
## KOHLER® Indoor Lighting Fixtures Limited Warranty

See website for detailed warranty information.

## Available Colors/Finishes

*Color tiles intended for reference only.*

| Color   | Code | Description           |
|---|------|-----------------------|
|  | SNL  | Polished Nickel       |
|  | 2GL  | Brushed Moderne Brass |



## Required Electrical Service

One circuit required.

120 V, 5 A, 60 Hz

## Technical Information

All product dimensions are nominal.

|                   |   |
|-------------------|---|
| Material:         | Steel, Aluminum, Zinc, Glass  |
| Number of Lights: | 10  |
| Lighting Type:    | Socket-based  |
| Socket Type:      | E-12 Candelabra   |
| Number of Shades: | 10  |
| Shade Type:       | Glass - clear   |
| Hanging Type:     | Downrod   |
| Downrod Detail:   | 2 x 3" (76 mm), 2 x 6" (152 mm), 2 x 12" (305 mm), 4 x 18" (457 mm) |
| Height:           | 17-1/4" (439 mm) - 71-1/4" (1810 mm)                                |