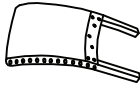


ASSEMBLY INSTRUCTION

DINING CHAIR

A Chair Back



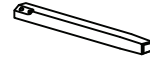
1 pc

B Chair Seat



1 pc

C Front Leg



2 pcs

D Allen Bolt
Ø5/16" x 1-1/2"



2 pcs

E Allen Bolt
Ø5/16" x 2-1/4"



4 pcs

F Allen Bolt
Ø5/16" x 3-1/4"



4 pcs

G Spring Washer
Ø5/16"



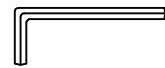
10 pcs

H Flat Washer
Ø5/16" x 22mm

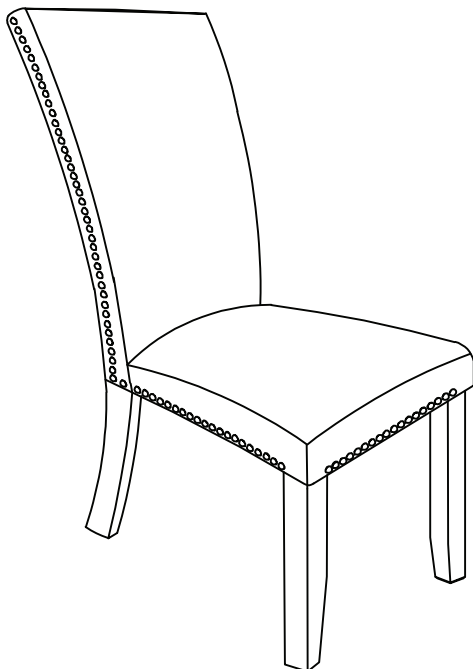


10 pcs

I Allen Key
M5



1 pc



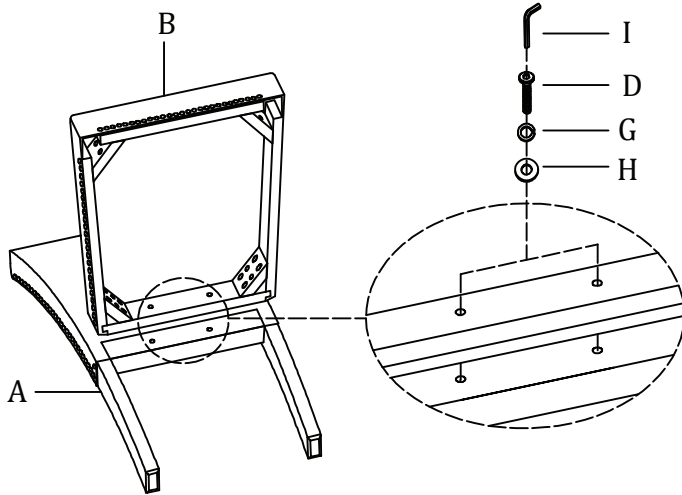
This page lists all the contents included in the box. Please take the time to identify the hardware as well as the individual components to this product. As you unpack and prepare for assembly, place the contents on a carpeted or padded area to protect them from damage.

IMPORTANT NOTE:

1. Do not tighten all screws / bolts until all completely assembled.
2. Keep all hardware parts out of reach of children.

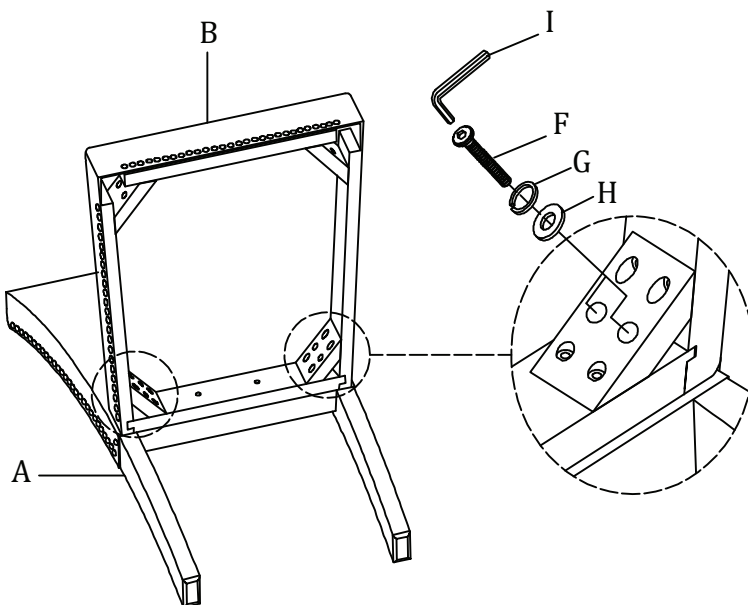
***Do not tighten screws & bolts until the entire unit is completely assembled.

- 1** Attach the Chair Seat (B) to the Chair Back (A) using Allen Bolt (D), Spring Washer (G) and Flat Washer (H) with Allen Key (I).



Take the Allen Wrench, and turn the bolts until the legs are secured. **DO NOT TIGHTEN COMPLETELY.** Stop when you feel you are adding force to tighten the bolt.

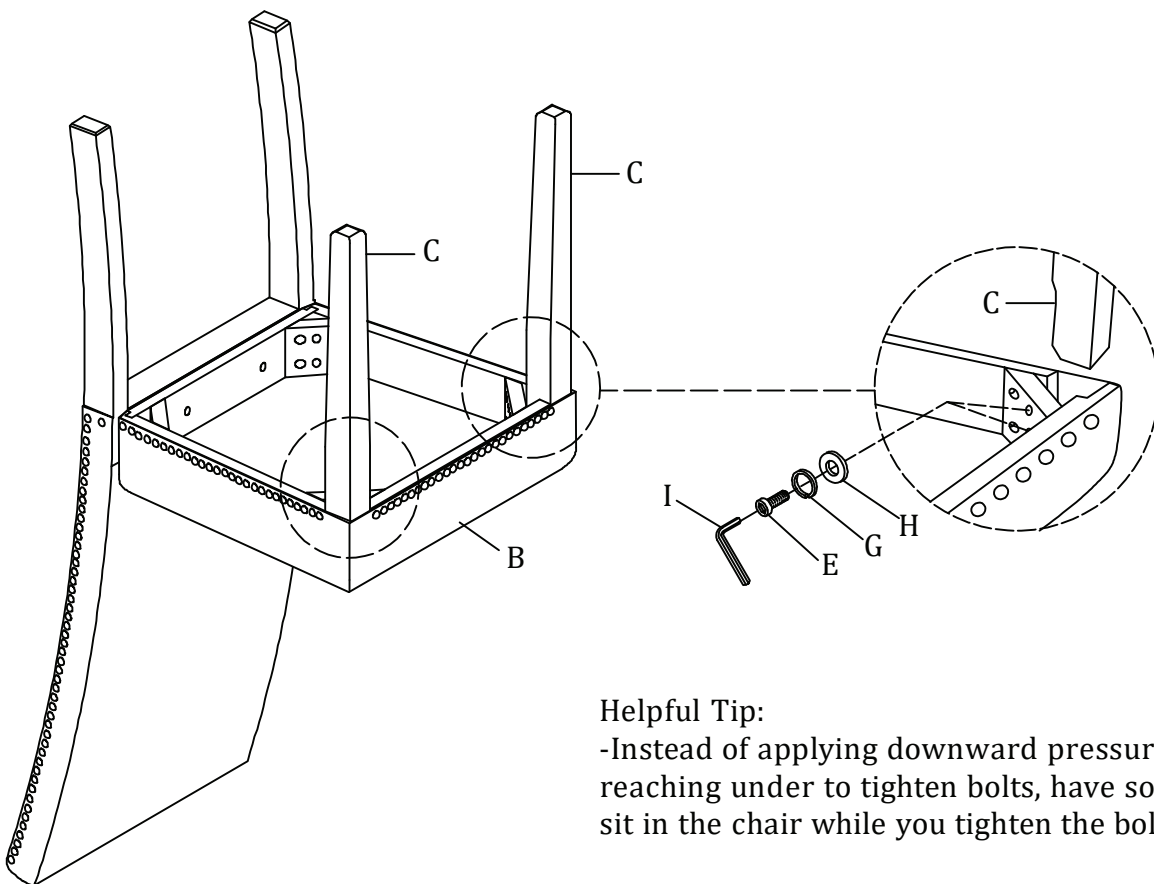
- 2** Attach the Chair Seat (B) to the Chair Back (A) using Allen Bolt (F), Spring Washer (G) and Flat Washer (H) with Allen Key (I) at the corners.



***Do not tighten screws & bolts until the entire unit is completely assembled.

- 3** Attach the Front Leg (C) to the Chair Seat (B) using Allen Bolt (E), Spring Washer (G) and Flat Washer (H) with Allen Key (I).

Stand chair up on an even surface and check that it is balanced. If there is a slight wobble, apply downward pressure in the corner where a leg is uneven. Keeping pressure in that corner, tighten all bolts. If balanced, apply downward pressure evenly in the center and tighten all bolts. Do not over tighten beyond hole depth.



Helpful Tip:

-Instead of applying downward pressure while reaching under to tighten bolts, have someone sit in the chair while you tighten the bolts.

Cleaning & Care

Treat surfaces with care. Surfaces are resistant to scratches but are not scratch resistant. Clean surfaces with a dry or damp soft cloth. Do not use abrasive cleaners. Hardware may loosen over time. Periodically check that all connections are tight.