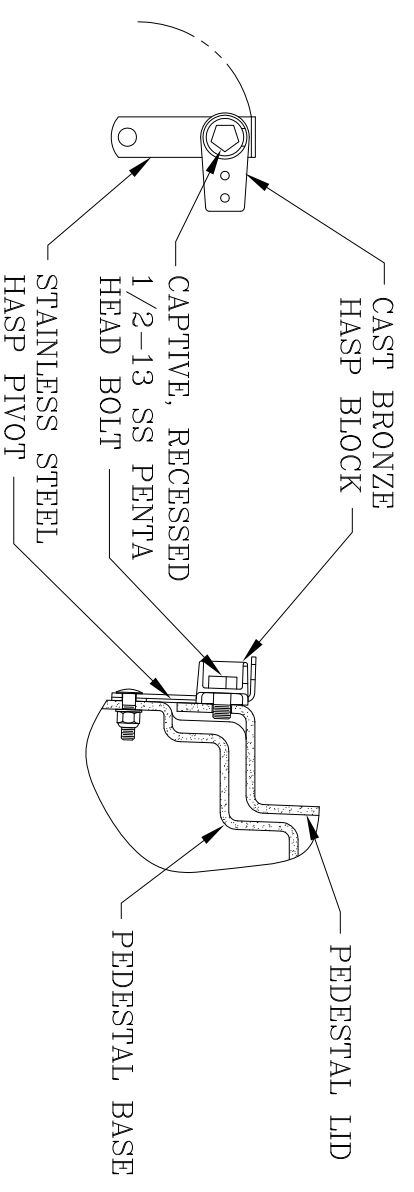
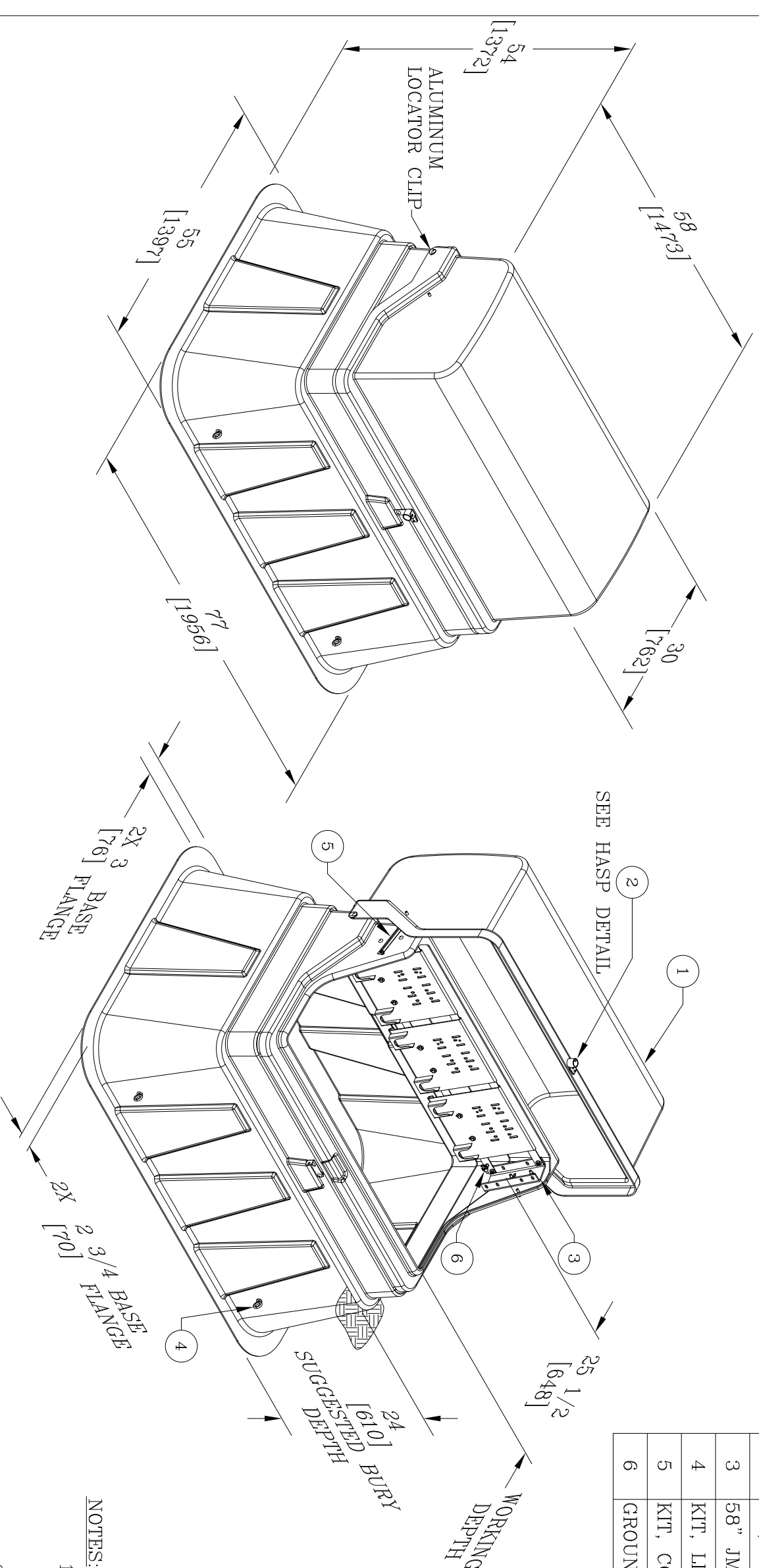


ITEM#	DESCRIPTION	QTY.
1	58X30X54 PRIMARY PEDESTAL	1
2	KIT, HASP ASS'Y DF3 PEDESTAL	1
3	58" JMB ASS'Y - MODULAR PLATES	1
4	KIT, LIFTING EYE ASSEMBLY	4
5	KIT, COVER WIND LOCK	2
6	GROUNDING LUG	1



DF3 HASP DETAIL

**NOTES:**

1. MOUNTING BAR WILL WITHSTAND A MINIMUM 400 LB. [181kg] LOADING TO INSTALL OR REMOVE ELBOWS.
2. JUNCTION MOUNTING MATERIAL IS ALUMINUM AND ALL MOUNTING HARDWARE IS STAINLESS STEEL.
3. MATERIAL & WORKMANSHIP PER WESTERN POWER PRODUCTS SPECIFICATION DATED JANUARY, 1990.
4. MATERIAL THICKNESS IS 1/4 [6].
5. A SMOOTH 12 [305] X 12 [305] SURFACE ON THE INSIDE OF THE COVER WILL BE PROVIDED FOR THE PLACEMENT LABELS.

DIMENSIONS ARE IN INCHES OR MILLIMETERS IN BRACKETS UNLESS OTHERWISE NOTED.

BY	DATE	WEIGHT		3621 INDUSTRIAL PARK DR LENOIR CITY, TN 37771 800-346-3062 www.quazite.com	LOC
DRN	1/20/12	247# 112kg			LC
CHK	2/13/12	SCALE	HUBBELL® PRIMARY PEDESTAL 58X30X54 MUNSELL GREEN MODULAR PLATES	REV B	5/12
ENG	2/13/12	NMS			
APR	2/13/12	SIZE	B	PROJECT NUMBER 105336	
APR	2/13/12			SHEET 1 OF 1	
PROJECT NUMBER 105336			DRAWING NUMBER P3583054MDM		