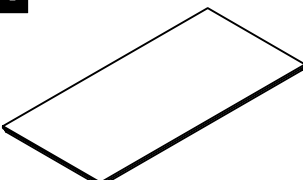
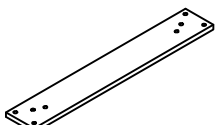
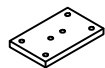
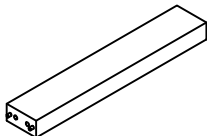

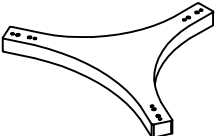

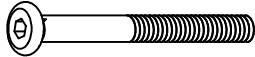


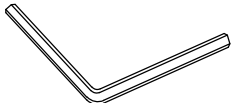
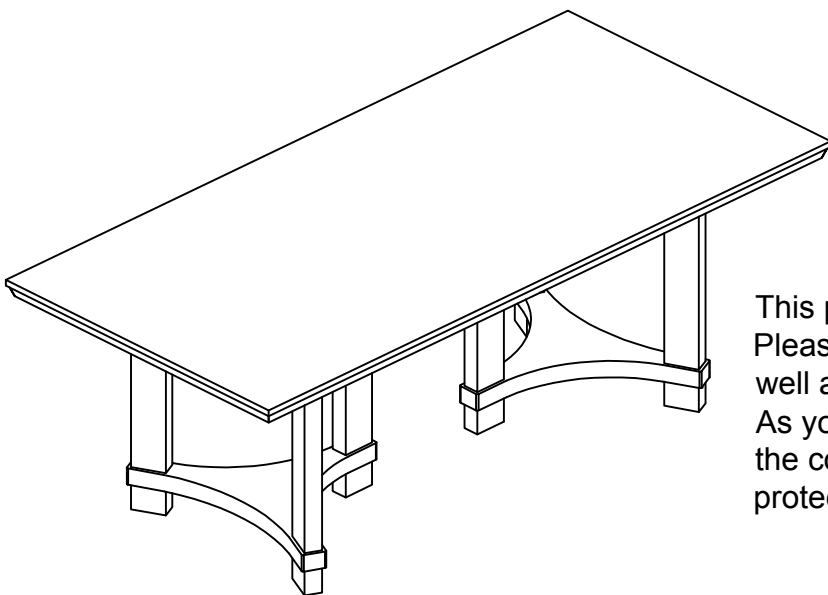


ASSEMBLY INSTRUCTIONS

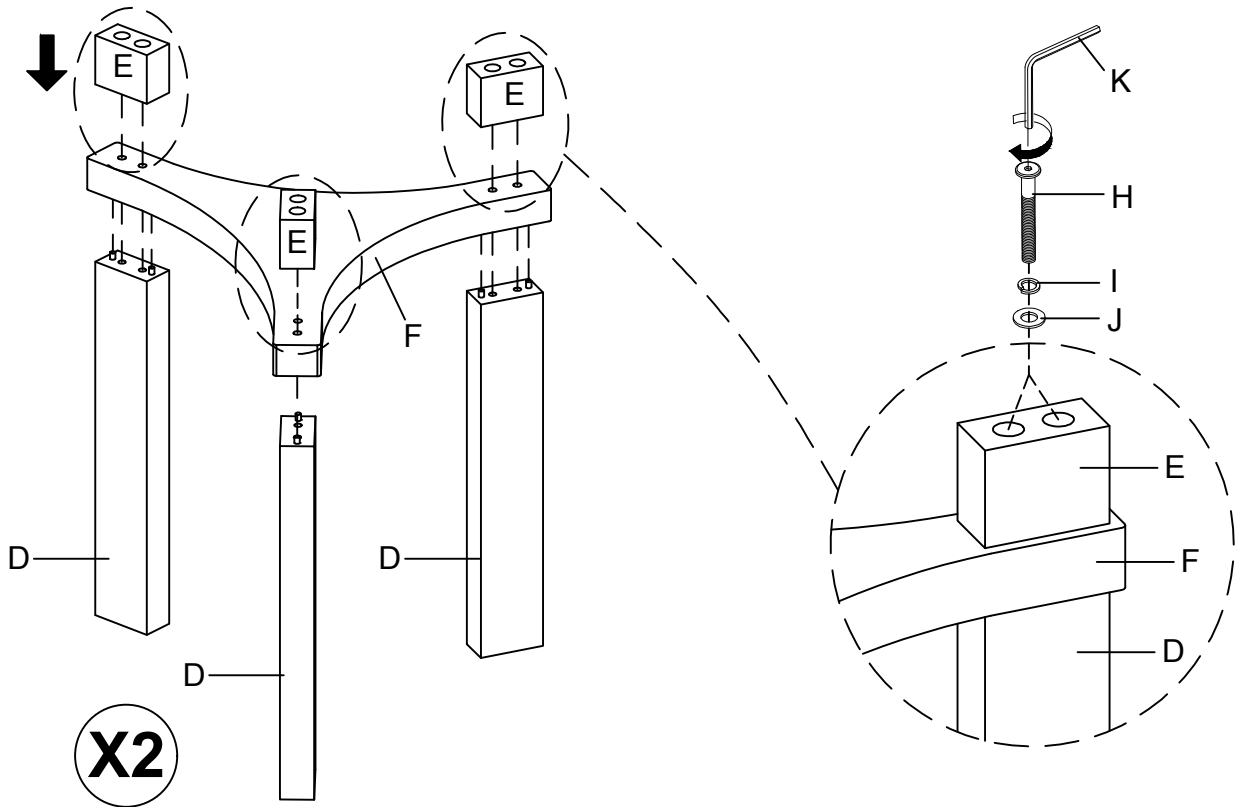
84" RECTANGULAR DINING TABLE

A Table Top  1 pc	B Long Mounting Plate  2 pcs	C Short Mounting Plate  2 pcs	D Leg (Up)  6 pcs
E Leg (Down)  6 pcs	F Bottom  2 pcs	G Allen Bolt $\text{Ø}5/16" \times 1\ 3/8"$  28 pcs	H Allen Bolt $\text{Ø}5/16" \times 4\ 1/2"$  12 pcs
I Lock Washer $\text{Ø}5/16" \times 1/2"$  40 pcs	J Flat Washer $\text{Ø}5/16" \times 3/4"$  40 pcs	K Allen Key $2\ 3/4" \times 2\ 3/4" \times 5/32"$  1 pc	

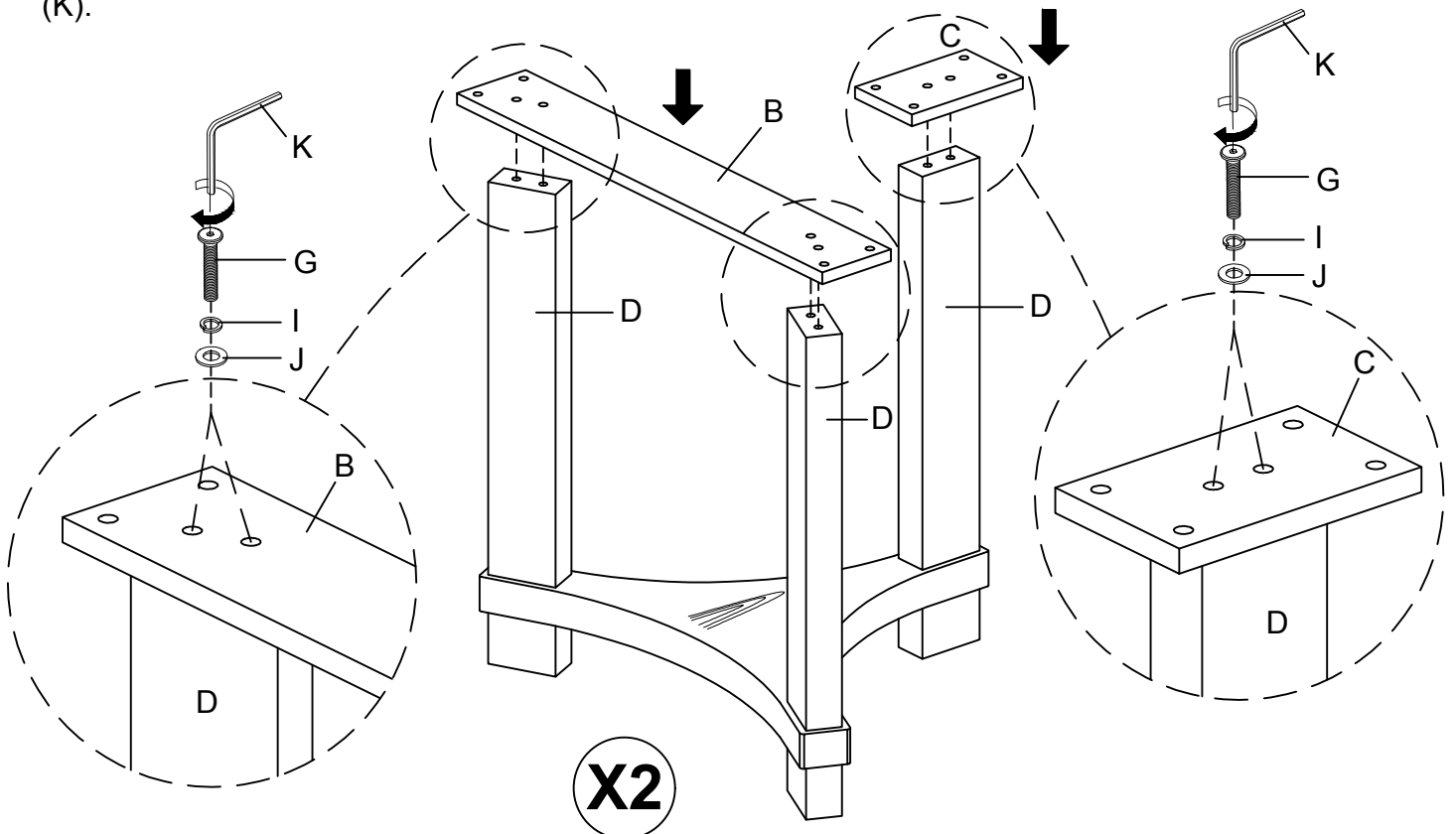


This page lists all the contents included in the box. Please take the time to identify the hardware as well as the individual components to this product. As you unpack and prepare for assembly, place the contents on a carpeted or padded area to protect them from damage.

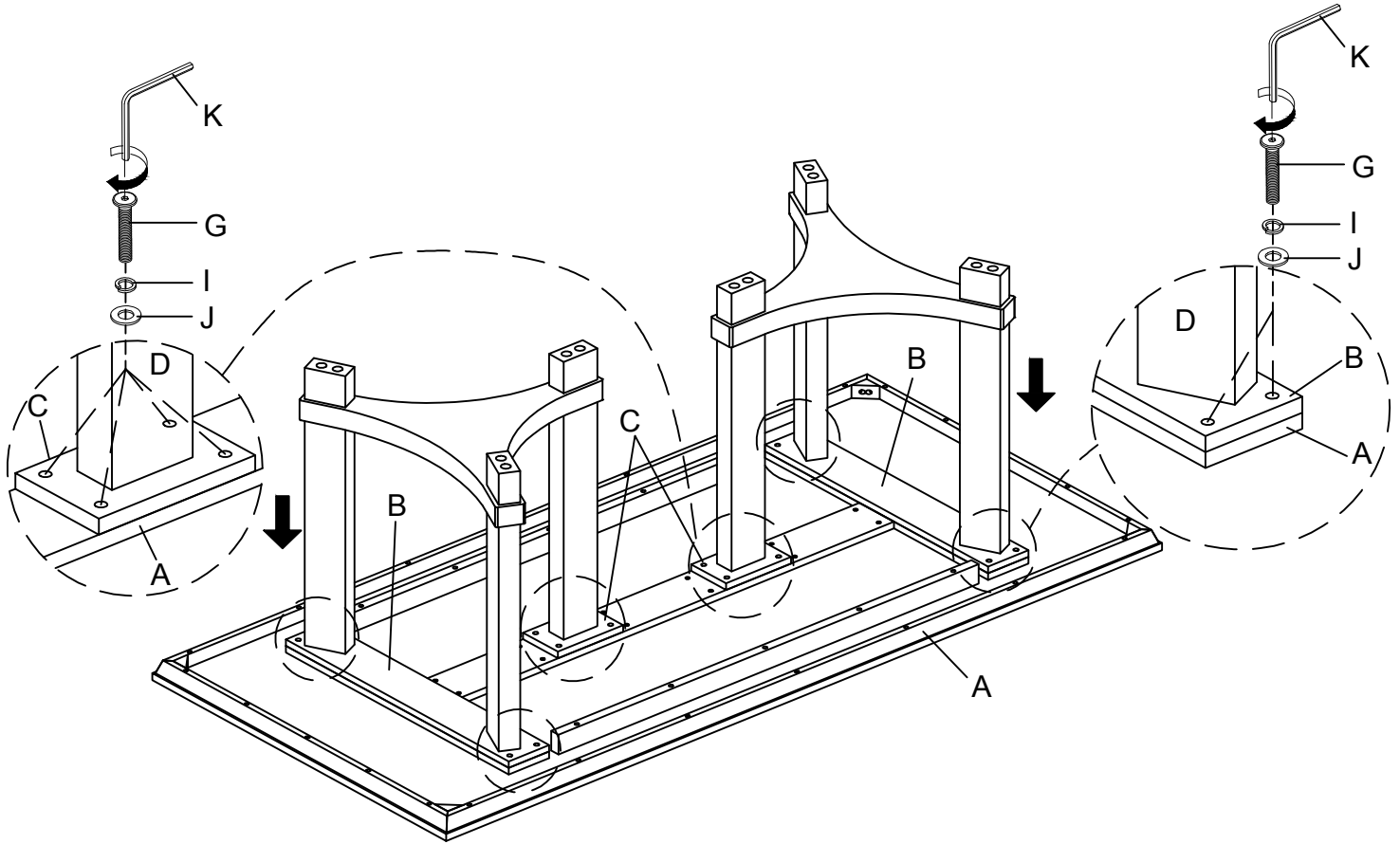
- 1** Attach the Leg (Up) (D) to the Bottom (F). Then attach the Leg (Down) (E) to the Bottom (F) using Allen Bolt (H), Lock Washer (I) and Flat Washer (J) with the Allen Key (K).



- 2** Attach the Long Mounting Plate (B) to the two Leg (Up) (D). Then attach the Short Mounting Plate (C) to the other Leg (Up) (D) using Allen Bolt (G), Lock Washer (I) and Flat Washer (J) with the Allen Key (K).



- 3** Attach the Long Mounting Plate (B) and the Short Mounting Plate (C) to the Table Top (A) using Allen Bolt (G), Lock Washer (I) and Flat Washer (J) with the Allen Key (K).



Cleaning & Care

Treat surfaces with care. Surfaces are resistant to scratches but are not scratch resistant. Clean surfaces with a dry or damp soft cloth. Do not use abrasive cleaners. Hardware may loosen over time. Periodically check that all connections are tight.