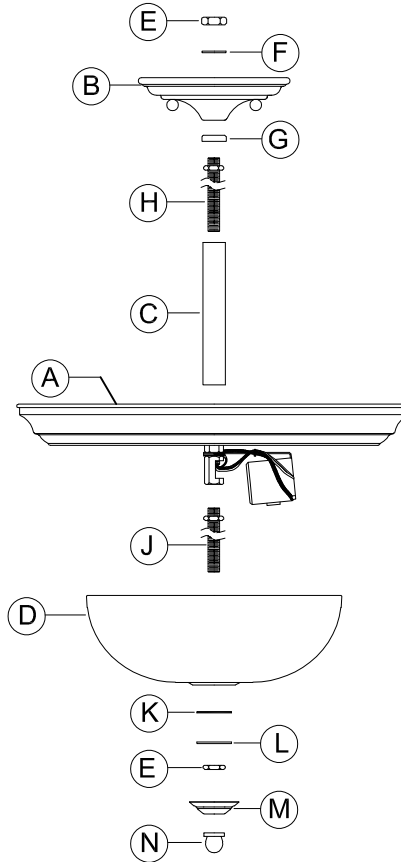


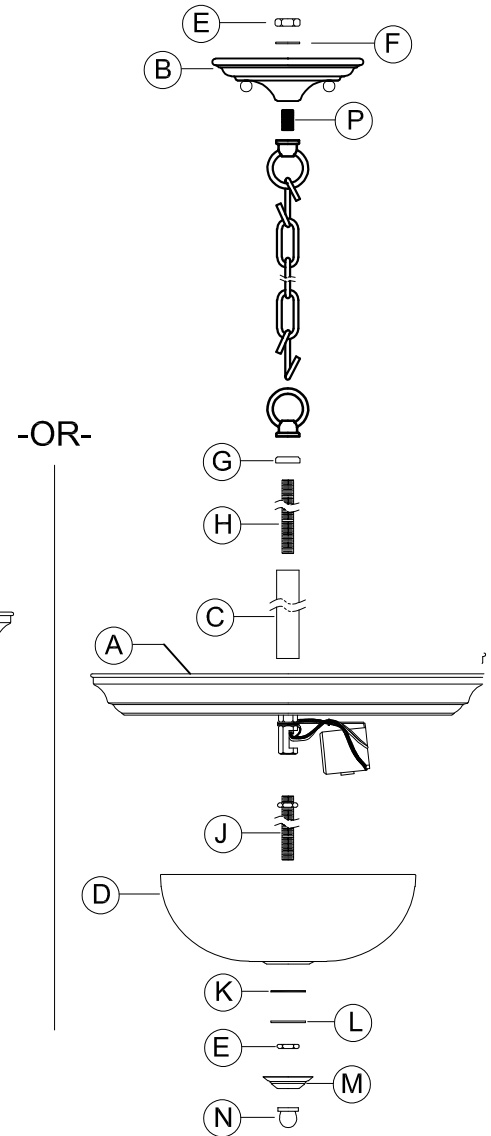
PACKAGE CONTENTS

PART	DESCRIPTION	QUANTITY
A	Fixture	1
B	Canopy	1
C	Tube	1
D	Glass shade	1
E	Hex nut	2
F	Lock washer	1
G	Check ring	1
H	Mounting nipple	1
J	Glass nipple	1
K	Rubber washer	1
L	Flast washer	1
M	Cup	1
N	Finial knob	1
P	Nipple	1

Ceiling Assembly



Hanging Assembly



HARDWARE CONTENTS (not actual size)

AA	BB	CC	DD	EE	FF	GG
Screw (#8-32)	Wire nut	Mounting Strap	Hex nut (#8-32)	Ball nut (#8-32)	Chain (36")	Chain loop (1/8IP)
Qty:2	Qty:3	Qty:1	Qty:2	Qty:2	Qty:1	Qty:2



Missing parts? Please contact Customer Service at 1-800-447-0573, 8am-8pm (Eastern), Monday - Friday, or at customerservice@progresslighting.com



Safety Information

Please read and understand this entire manual before attempting to assemble, operate or install the product.

CAUTION: Read instructions carefully and turn electricity off at main circuit breaker panel before beginning installation.

CAUTION: Risk of fire. Min. 90°C supply conductors. Consult a qualified electrician to ensure correct branch circuit conductor.

WARNING: If any Special Control Devices are used with this fixture, follow instructions carefully to assure full compliance with N.E.C. requirements. If there are any questions, contact a qualified electrical contractor.

CAUTION: All glass is fragile. Use care when handling glass shades and bulbs.

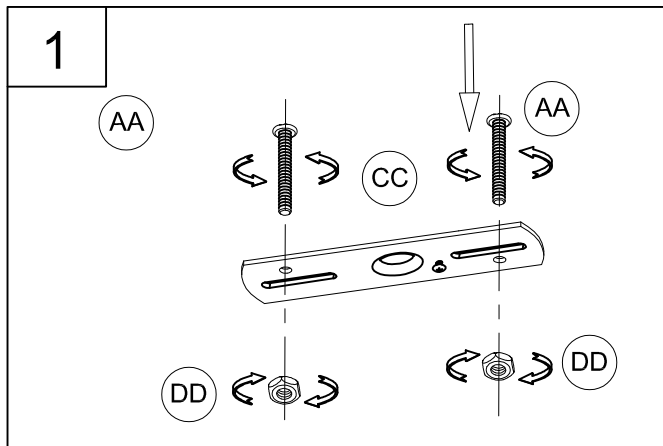
Preparation

1. Before beginning installation, make sure all parts are included using the contents diagrams from page 1. If any part is missing or damaged, do not attempt to assemble, install or operate the product.
2. Estimated assembly time: 30 minutes.
3. Tools required for assembly (not included): Phillips screwdriver, pliers, wire stripper, safety glasses, electrical tape, ladder.

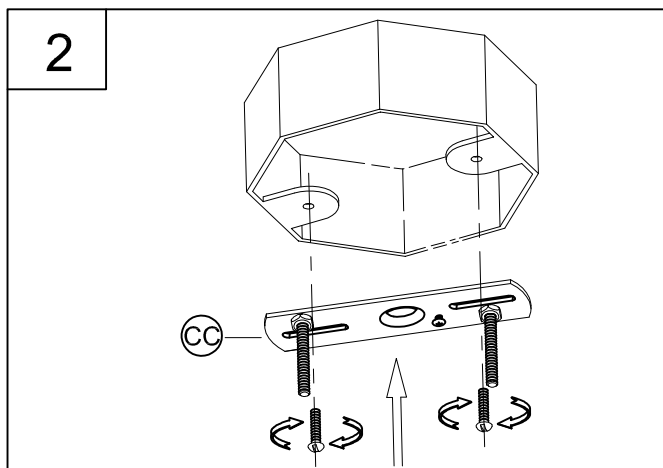
Care and Maintenance

Shut off main power supply before cleaning product or changing light bulbs. To clean, wipe with damp cloth. Do not use abrasive cleaners or cleaners that contain alcohol.

Assembly Instructions



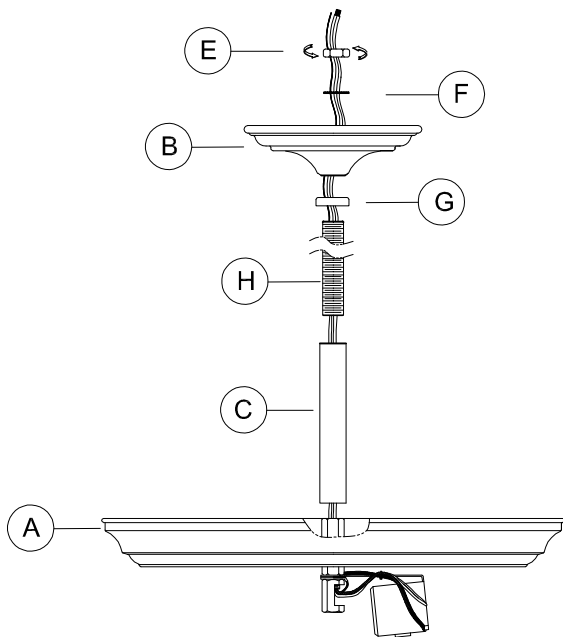
1. Screw screws (AA) into holes of mounting strap (CC) and use hex nut (DD) to secure them tightly.



2. Attach assembled parts from step 1 onto outlet box using the mounting screws supplied with the outlet box (not included) through slots of mounting strap.

Ceiling Assembly Instructions

3

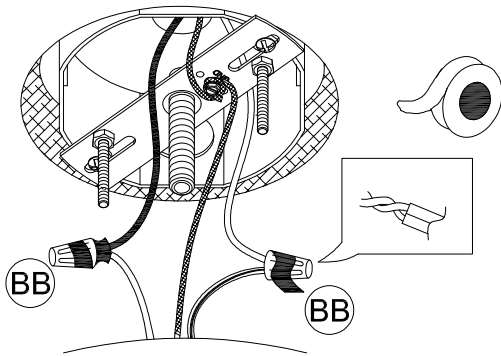


3. Pass the wires through the nipple (H) and screw nipple into fixture (A) coupling. Slide the tube (C) over the wires and nipple (H).

Slide the check ring (G) and the canopy (B) over the wires onto the nipple (H). Slide the lock washer (F) and the hex nut (E) over the wires onto the nipple (H), then use the hex nut (E) to secure tightly.

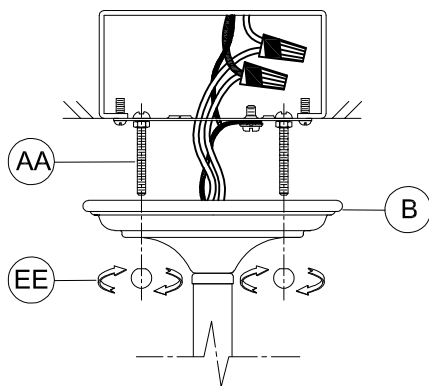
NOTE: During this step, you may choose to shorten electrical and ground wires.

4



4. Strip 3/8" of insulation from the electrical wire ends. Using wire nuts (BB), connect RIBBED fixture wire to the WHITE supply wire from the outlet box; connect the SMOOTH fixture wire to the BLACK supply wire. Connect the fixture ground wire and supply ground wire using a wire nut or by fastening to the ground screw on the round mounting plate. Push all wire connections into the outlet box.

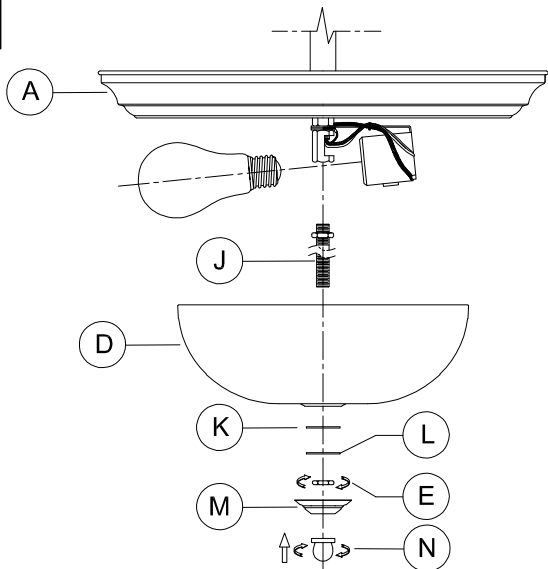
5



5. Attach the canopy (B) to screws (AA) using ball nuts (EE). Secure tightly.

Ceiling Assembly Instructions

6



6. Screw lamp (not included) into the fixture socket. Use 100-watt MAX medium base lamp, SBCFL or SBLED.

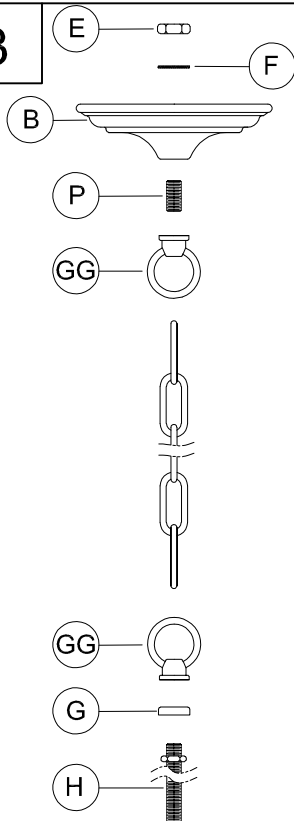
Screw nipple (J) into fixture (A). Secure tightly. Pass glass shade (D)/rubber washer (K)/flat washer (L) onto the nipple (J), and secure to fixture (A) using hex nut (E).

Install cup (M) onto the nipple (J) and secure with the finial knob (N).

NOTE: Do not tighten against wires to prevent short or fire.

Hanging Assembly Instructions

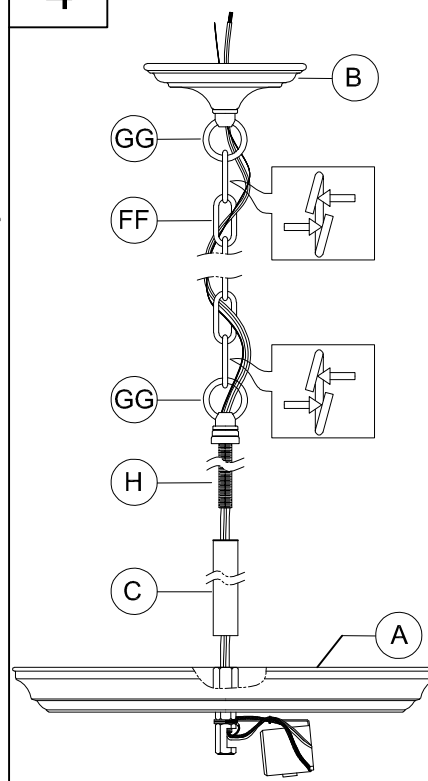
3



3. Attach the nipple (P) to top chain loop (GG) and pass the nipple (P) through the canopy (B). Install the lock washer (F) onto the nipple (P) and tighten with the hex nut (E).

Pass check ring (G) onto nipple (H) and screw on the bottom chain loop (GG) to attach. Secure tightly.

4



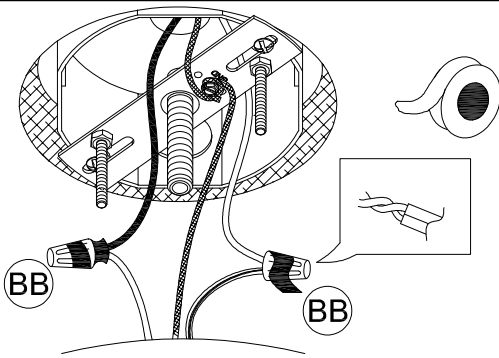
4. Slide tube (C) onto nipple (H) and attach nipple (H) to fixture (A). Pass wires through tube (C)/nipple (H)/bottom chain loop (GG)/chain (FF)/top chain loop (GG) and canopy (B). Secure tightly.

Open two links of chain and attach to the chain loop (GG). Close the chain links.

NOTE: During this step, you may choose to shorten the chain and electrical/ground wires.

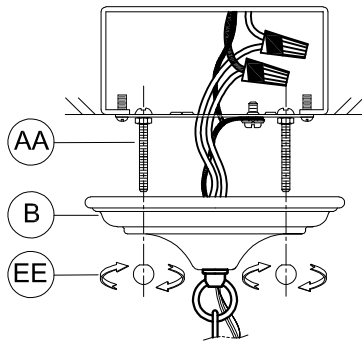
Hanging Assembly Instructions

5



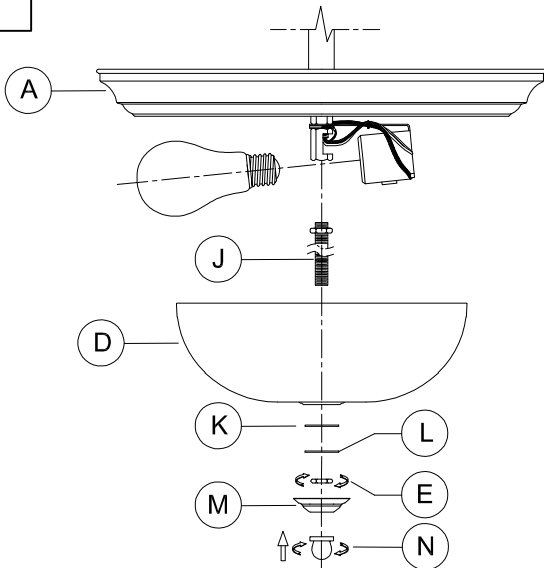
5. Strip 3/8" of insulation from the electrical wire ends. Using wire nuts (BB), connect RIBBED fixture wire to the WHITE supply wire from the outlet box; connect the SMOOTH fixture wire to the BLACK supply wire. Connect the fixture ground wire and supply ground wire using a wire nut or by fastening to the ground screw on the round mounting plate. Push all wire connections into the outlet box.

6



6. Attach the canopy (B) to screws (AA) using ball nuts (EE). Secure tightly.

7



7. Screw lamp (not included) into the fixture socket. Use 100-watt MAX medium base lamp, SBCFL or SBLED.

Attach nipple (J) to fixture (A). Secure tightly. Pass glass shade (D)/rubber washer (K)/flat washer (L) onto the nipple (J), and secure to fixture (A) using hex nut (E).

Install cup (M) onto the nipple (J) and secure with the finial knob (N).

NOTE: Do not tighten against wires to prevent short or fire.

WARRANTY AND EXCLUSIVE REMEDY: Progress products, when properly installed and under normal conditions of use, are warranted to our customers only to be free from defects in material and workmanship at time of shipment. All warranty claims must be asserted within one year from date of purchase of the subject items; thereafter, warranty claims will not be honored. Customers' sole remedy for a warranty claim or otherwise shall be limited to repair or replacement of the subject product if it is shown to have been defective in material or workmanship at time of shipment. Progress's sole and maximum liability for a defective product shall never exceed the cost of the subject product. **EXCEPT FOR SUCH A WARRANTY AND EXCLUSIVE REMEDY AS STATED (AND THE EXPRESS WARRANTY OF TITLE), WE DISCLAIM ALL OTHER WARRANTIES, WHETHER EXPRESS OR IMPLIED, AND SPECIFICALLY DISCLAIM THE IMPLIED WARRANTIES OF MERCHANTABILITY AND FITNESS FOR A PARTICULAR PURPOSE. IN NO EVENT SHALL WE BE LIABLE TO CUSTOMER IN WARRANTY, CONTRACT, NEGLIGENCE, STRICT LIABILITY OR OTHERWISE, FOR ANY DAMAGES, WHETHER INCIDENTAL OR CONSEQUENTIAL, WHICH ARE ALLEGED TO BE CAUSED BY ONE OR MORE OF OUR PRODUCTS, BEYOND THE COST TO THE CUSTOMER OF THE SUBJECT PRODUCT OR PRODUCTS.** Therefore, the customer's sole and exclusive remedy against us for breach of the warranty, breach of contract or negligence or strict liability or otherwise shall be limited to repair or replacement of the subject product at our option (excluding installation and removal charges which shall not be our liability) or, if we choose, refund of the purchase price. In no case does our warranty and exclusive remedy extend to anybody other than our customers. Our customers are not authorized to extend warranties or remedies on our behalf to anyone. Such unauthorized extensions of warranties or remedies by the customer shall remain customer's responsibility. Customer is responsible for determining the suitability of our products for customer's use or resale, or for incorporating them into objects or for applications which customer designs, assembles, constructs or manufactures.