

CASE



72300 - iPad (9th gen) - Black
72301 - iPad (9th gen) - White

72329 - mini (A17) - Black
72330 - mini (A17) - White

72324 - iPad Air 11 in (M2) - Black
72325 - iPad Air 11 in (M2) - White

72326 - iPad Air 13 in (M2) - Black
72327 - iPad Air 13 in (M2) - White

72340 - iPad 10 gen - Black
72341 - iPad 10 gen - White

CASE

I PORT CONNECT PRO Case Install Manual

Thank you for purchasing the all new IPORT CONNECT Platform. We hope you enjoy this revolutionary new system and if at any time you need more assistance please contact IPORT Tech Support via Online chat or through our help desk.

- IPORT Team

Whats in box:

- 1 - IPORT CONNECT Case
- 1 - IPORT Security tool - 1.5mm hex key
- 1 - Info Card
- 1- Fit Pad Installation card and Pads*

Product Info Page

www.iportproducts.com/Product/cpcase

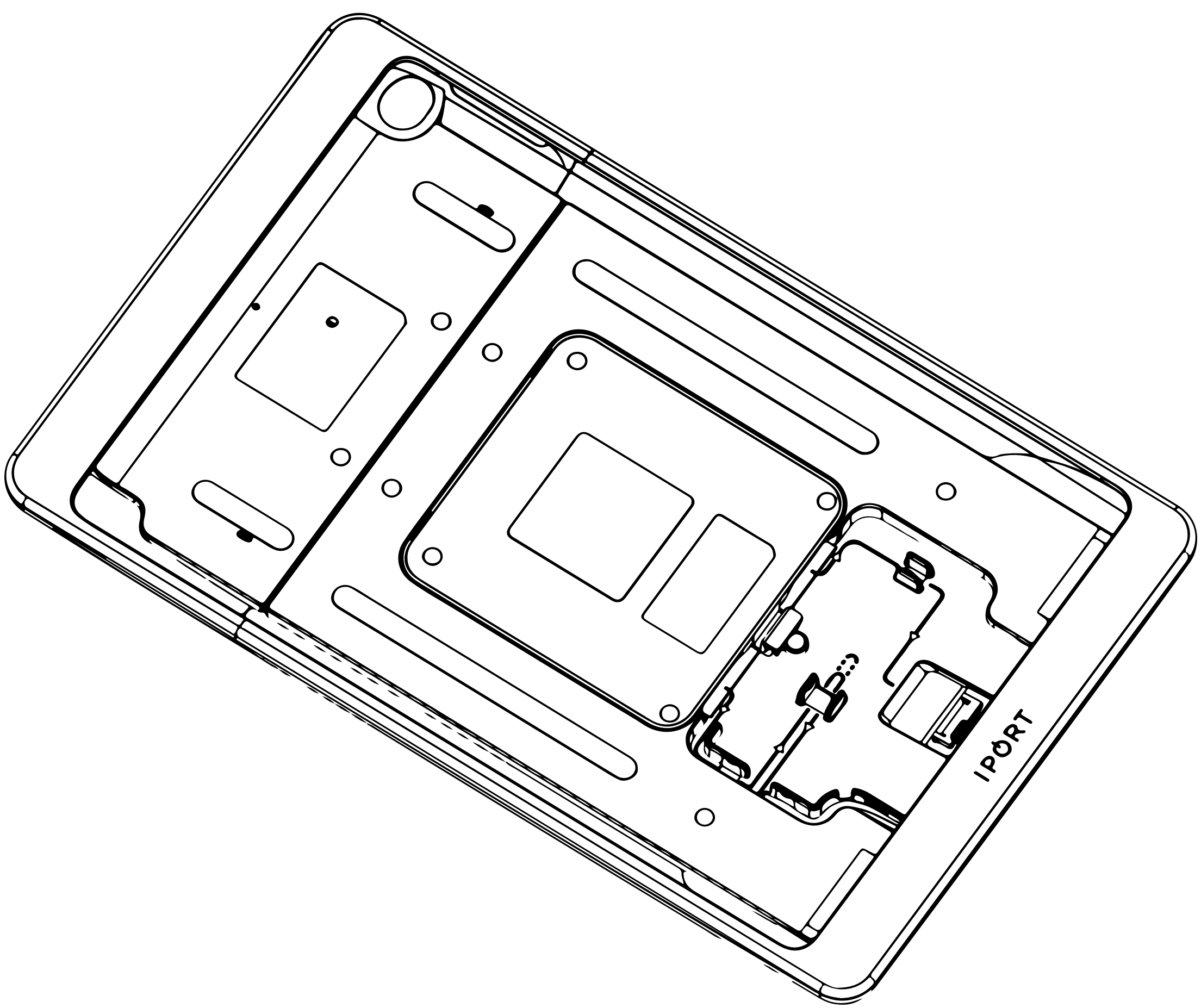
Glossary of Terms:

- **Case** - The fully assembled CONNECT PRO Case.
- **Case Top** - The short removable portion of the chase including the locking portion of the Case.
- **I PORT Security Tool** - The orange handled 1.5mm hex tool used for locking and unlocking IPORT Products.
- **Station Interface Module** - The main electronics portion of the new IPORT CONNECT Platform consisting of the round electronic components.
- **Dock Interface Module** - The secondary linear electronics found on the IPORT CONNECT Case.

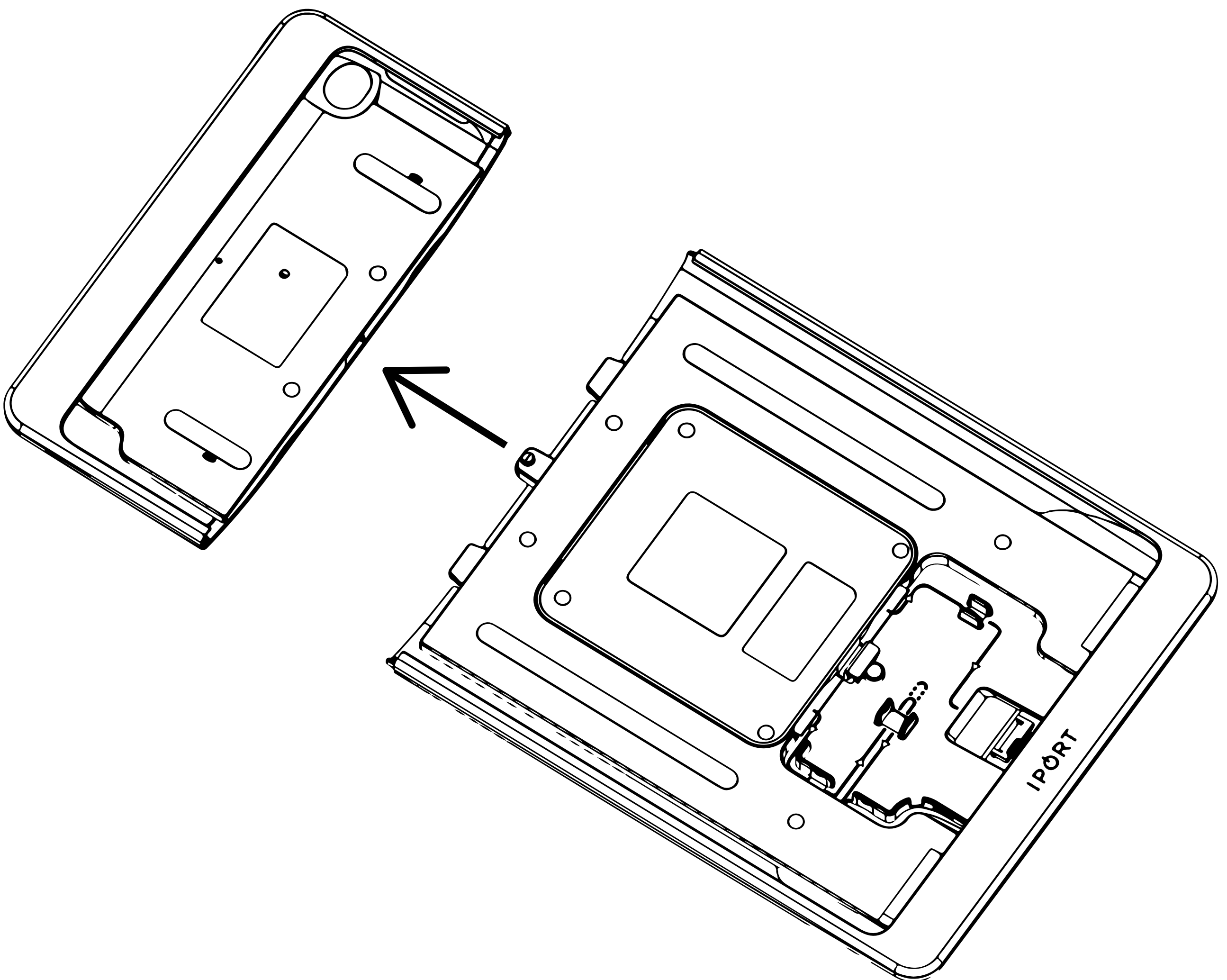
* included only in 12.9" Cases

CASE

- 1. Remove Case from the box and place on a table.**

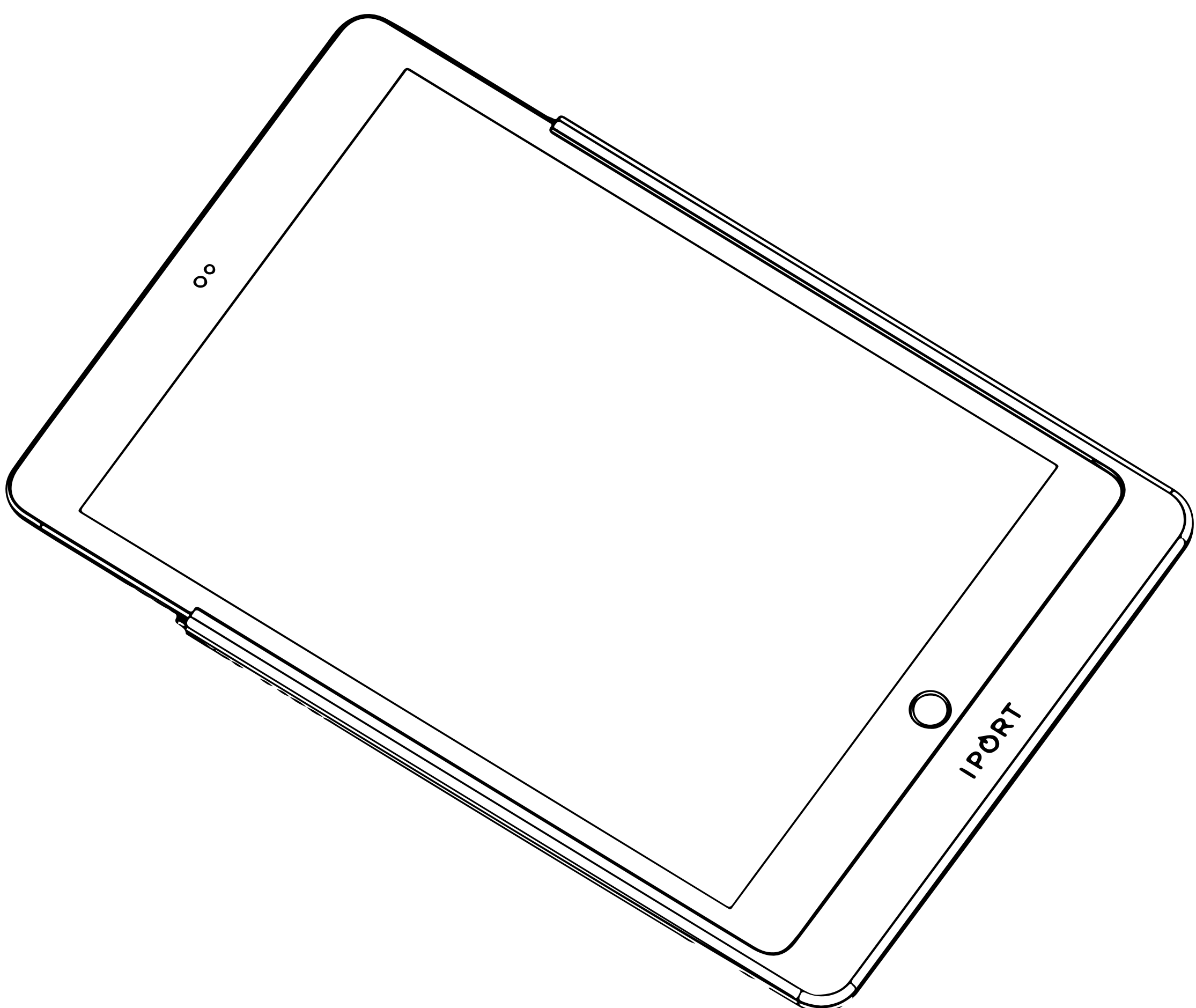
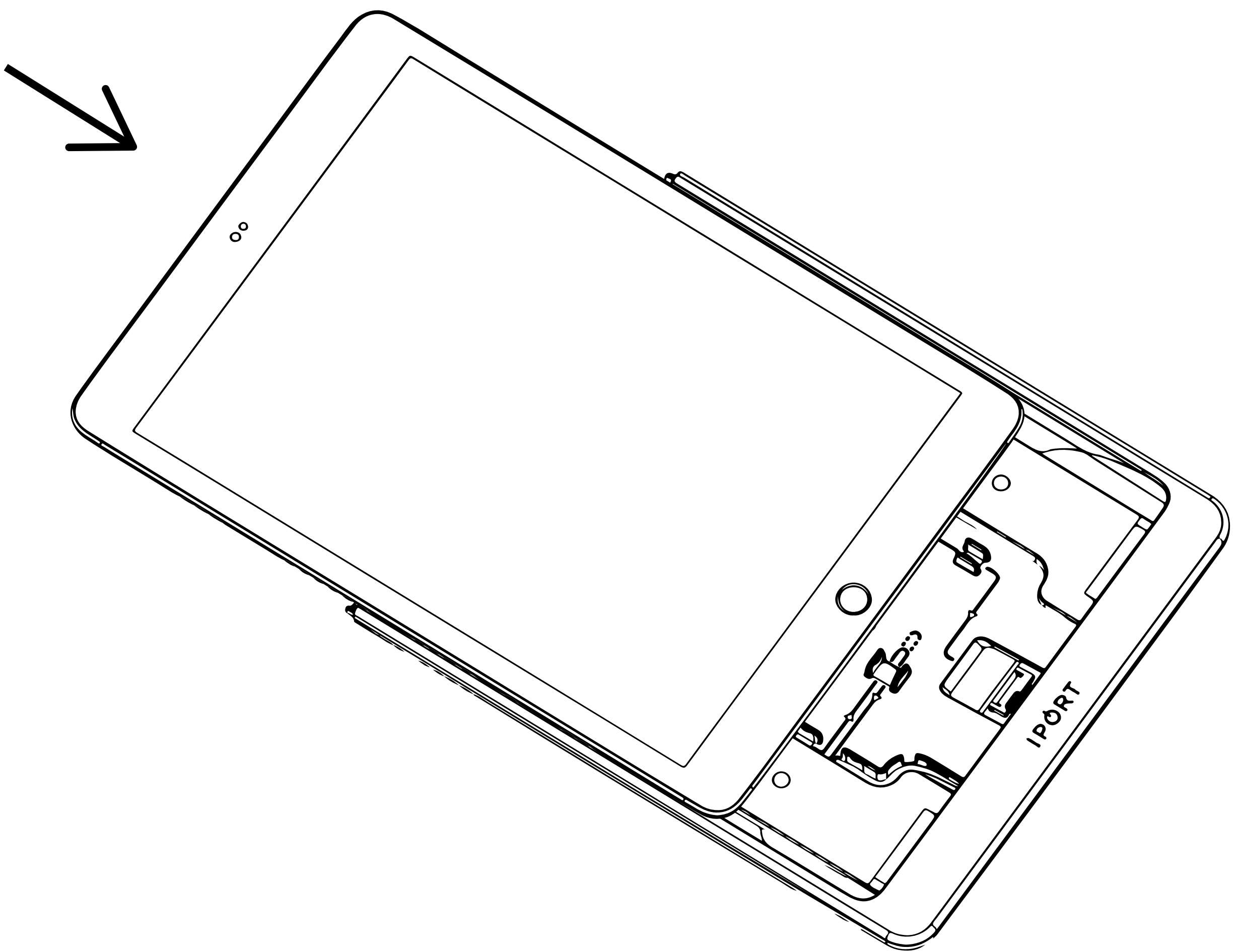


- 2. Remove the short Case Top.**



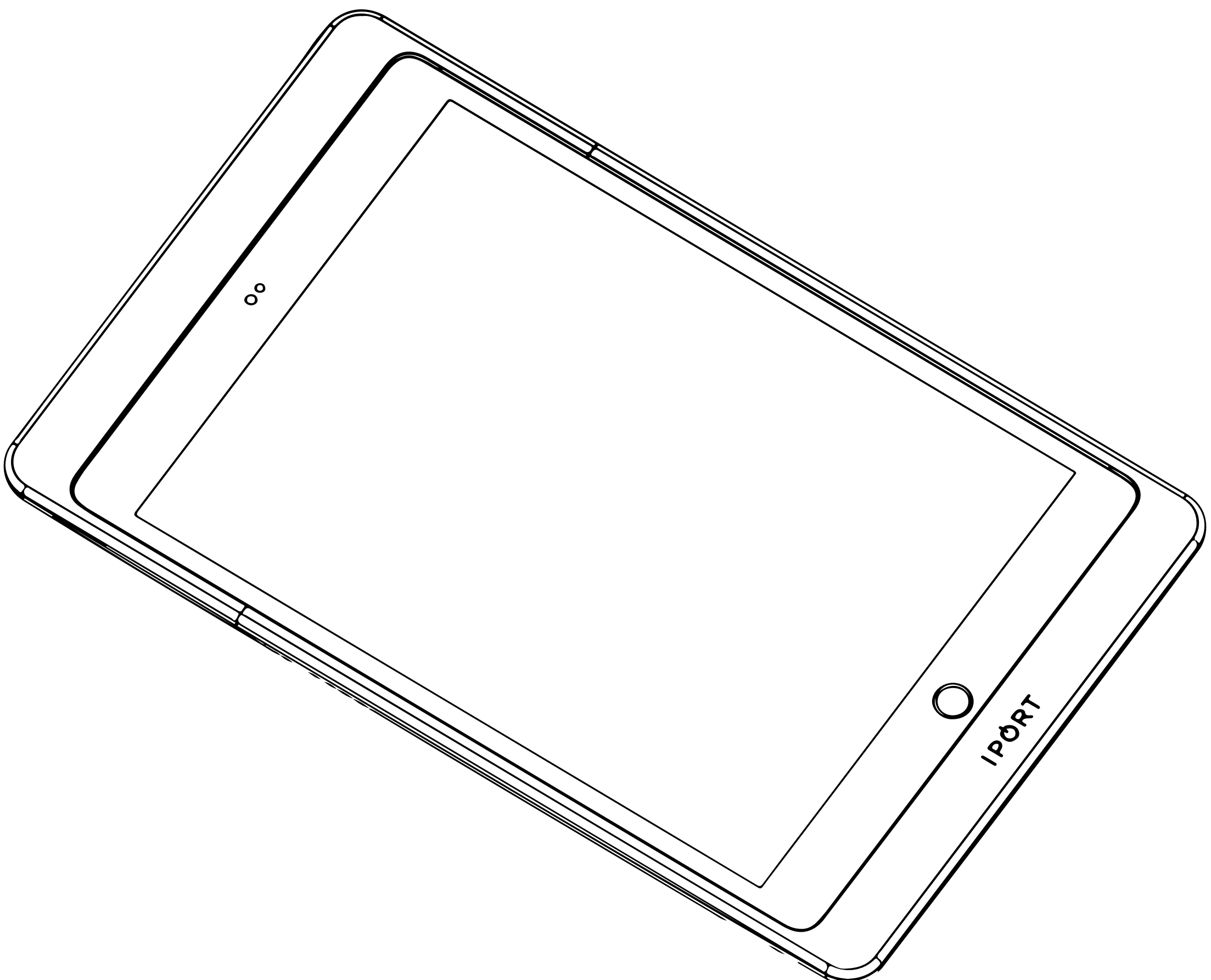
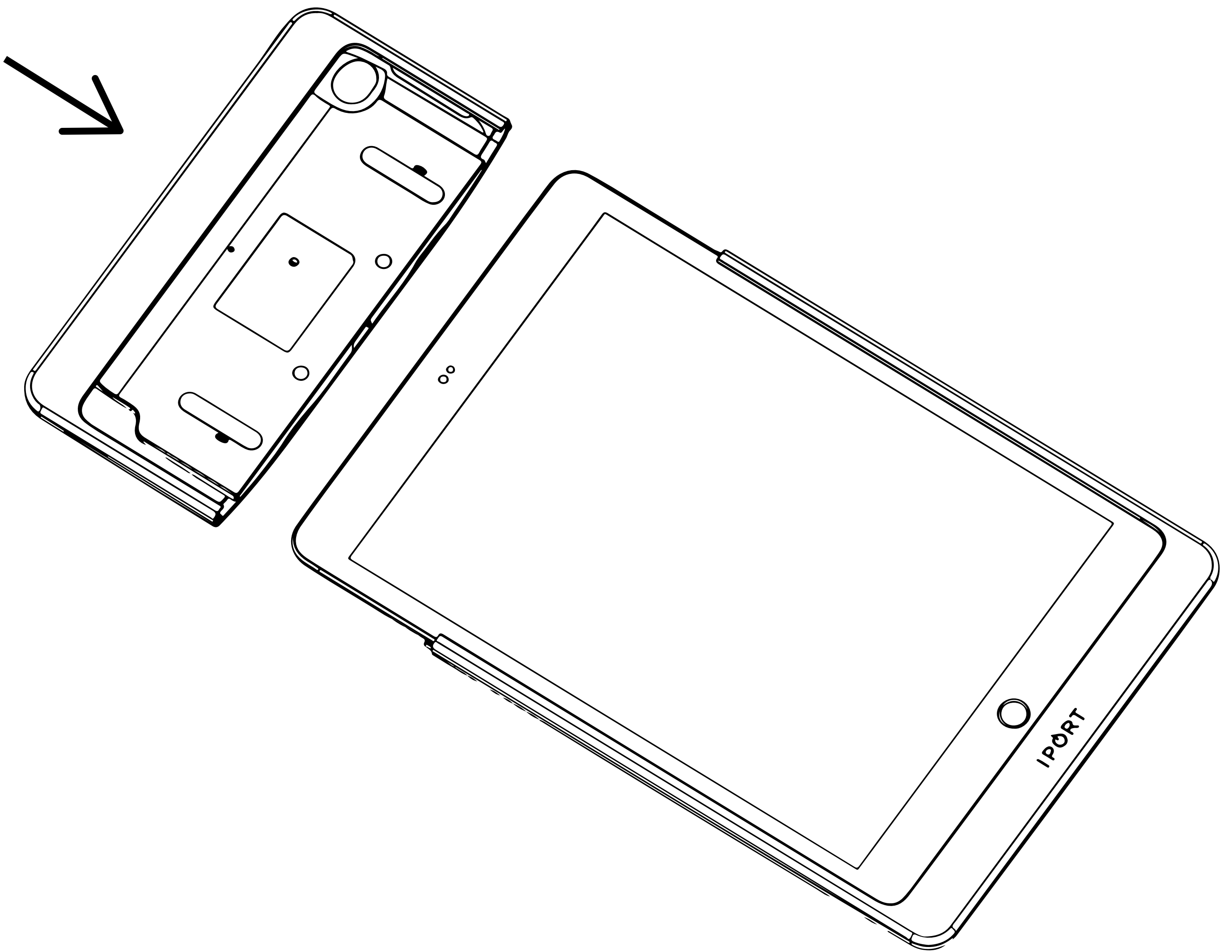
CASE

- 3. Slide iPad into the Case making sure the Lightning or USB-C connection is snugly inserted into the iPad.**



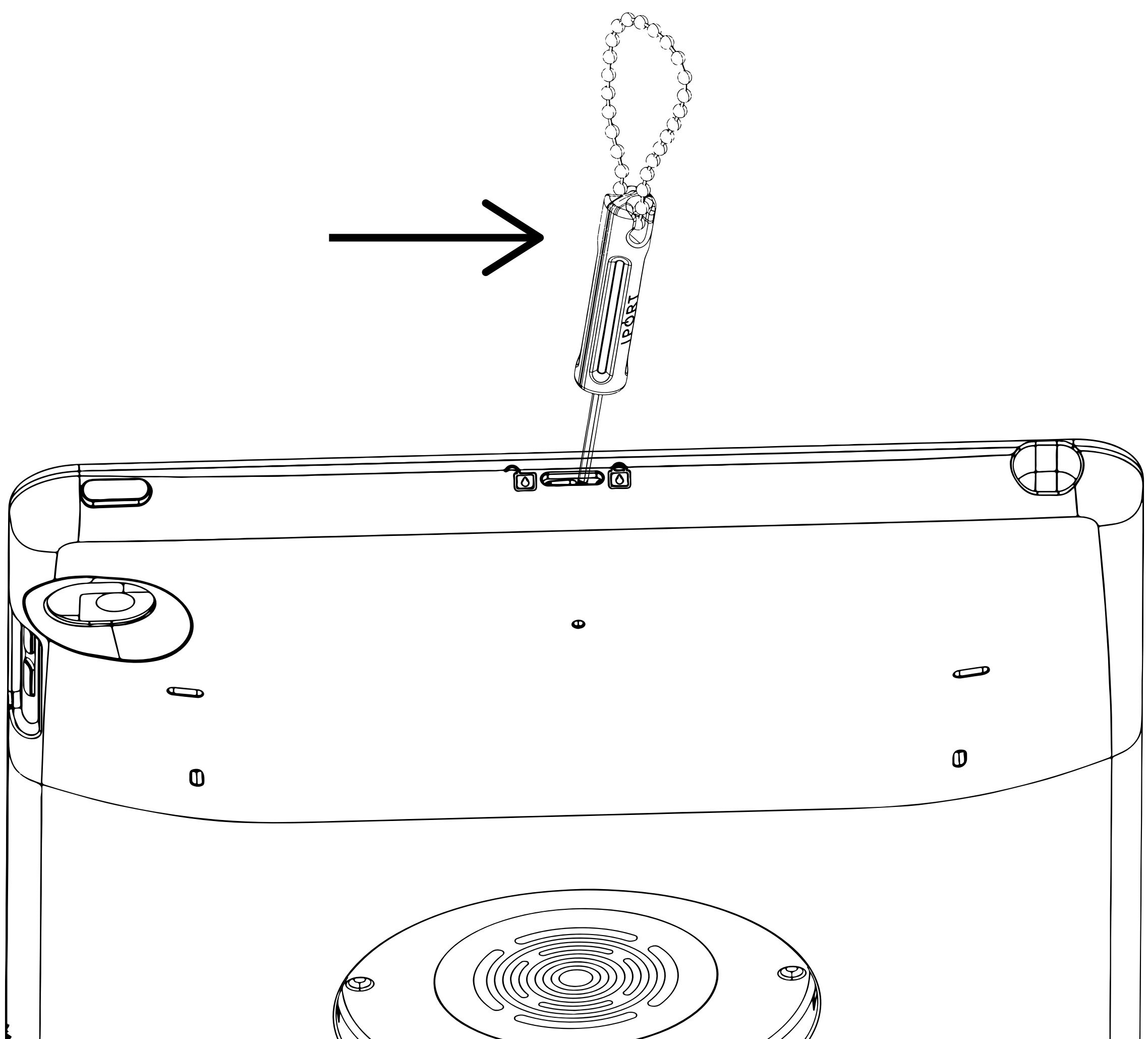
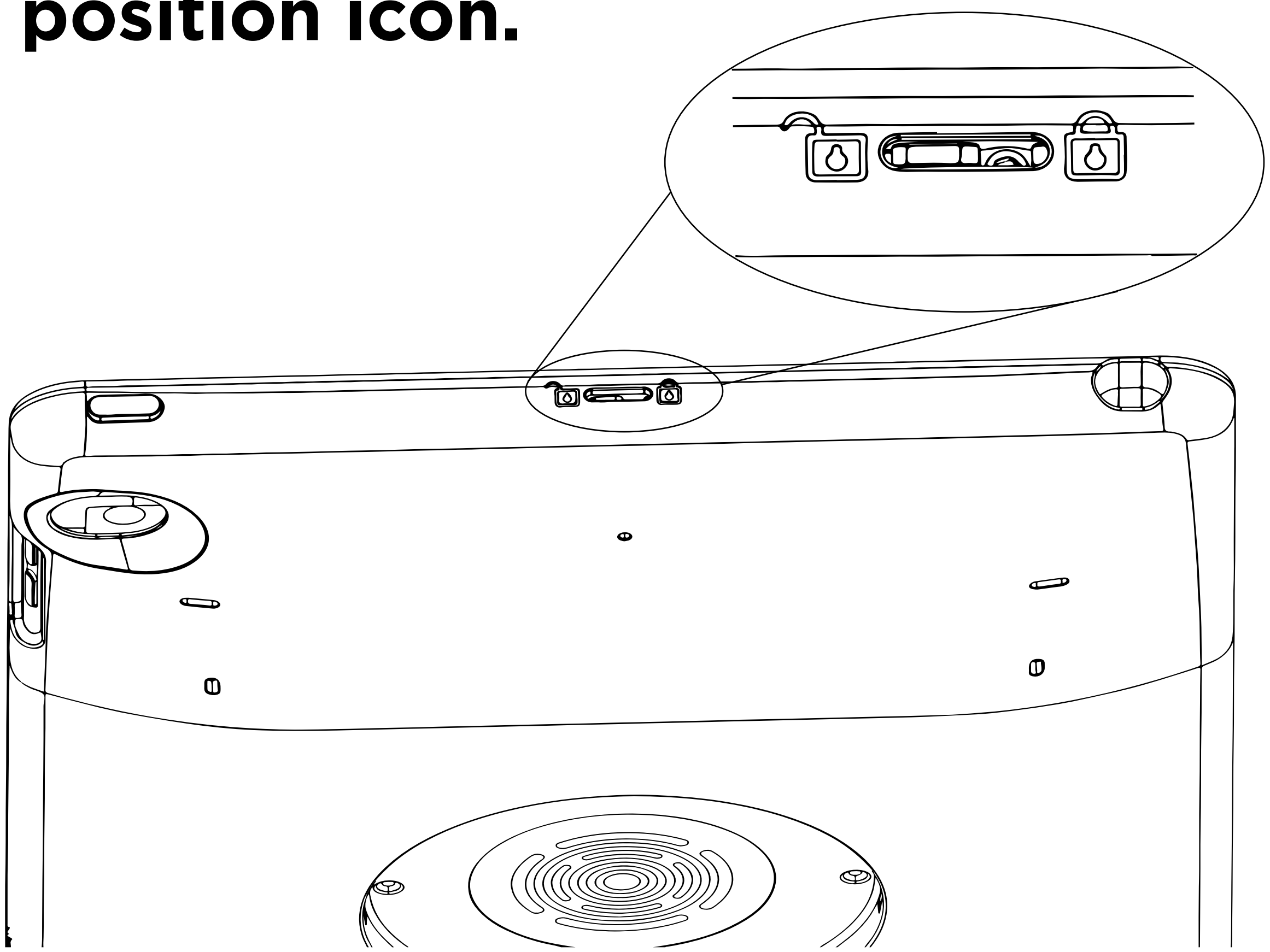
CASE

- 4. Reinstall the Case top onto the lower half of the Case and iPad.**



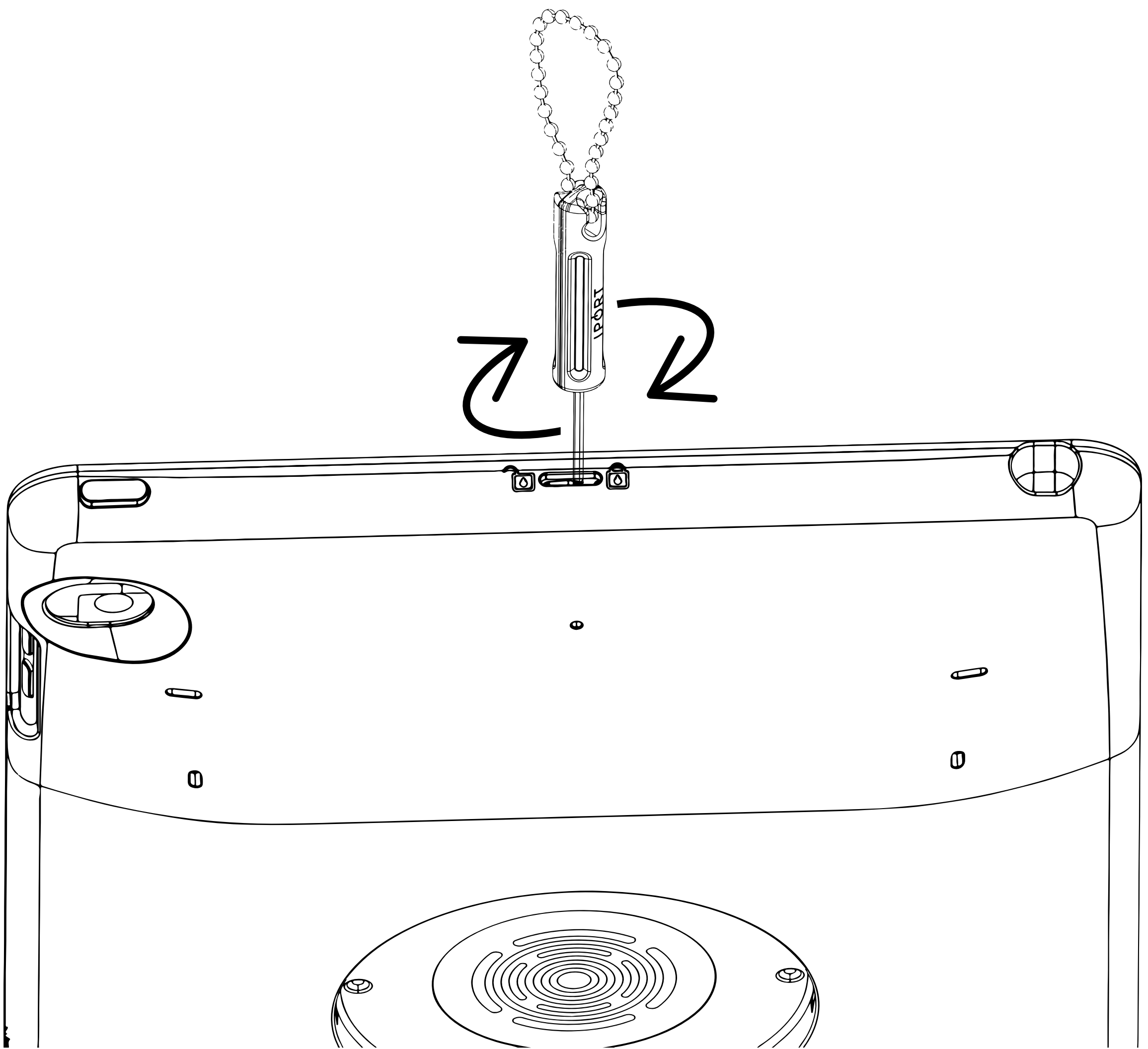
CASE

5. Use the provided IPORT tool, insert the tool into the top of the case and slide the tool towards the lock position icon.



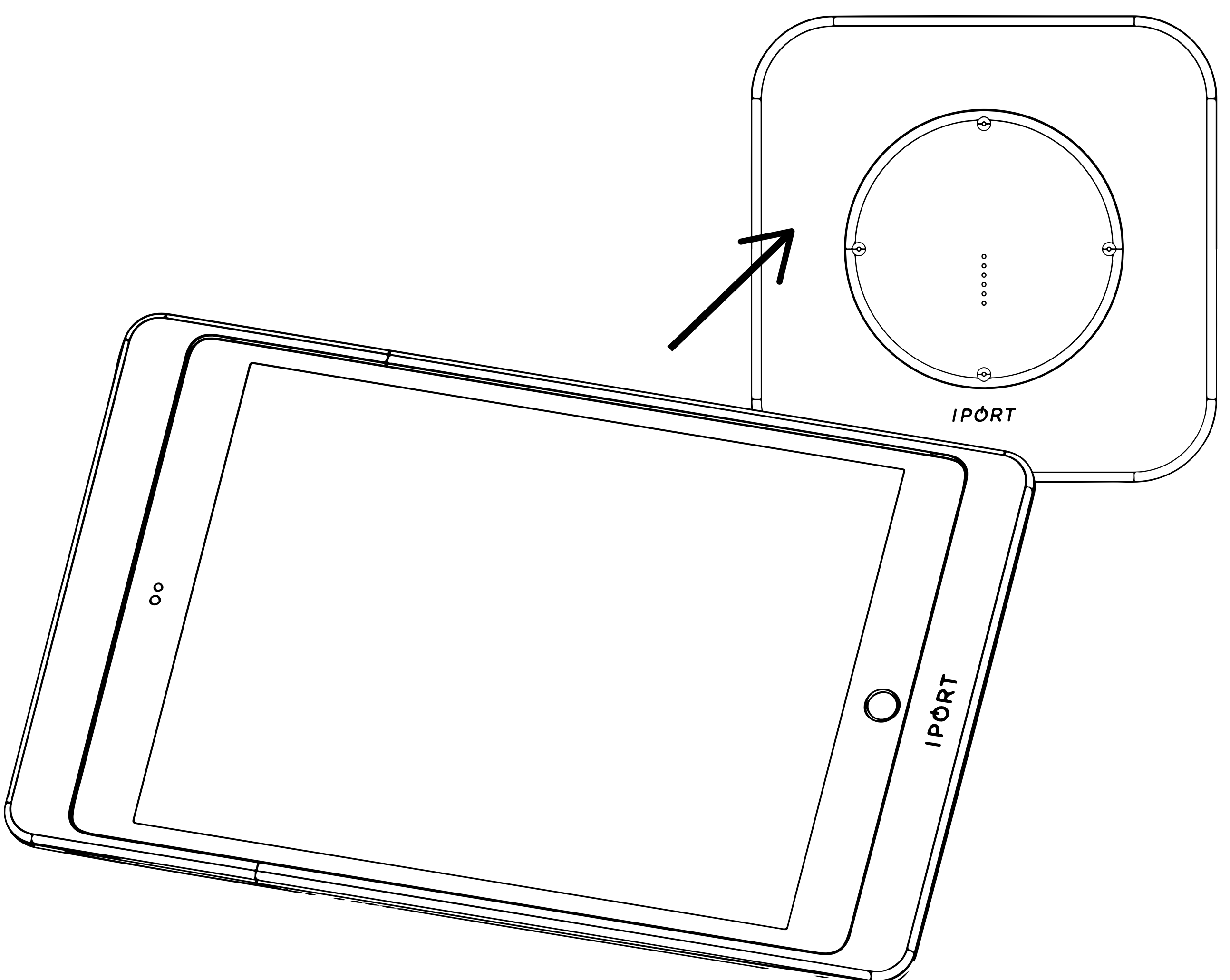
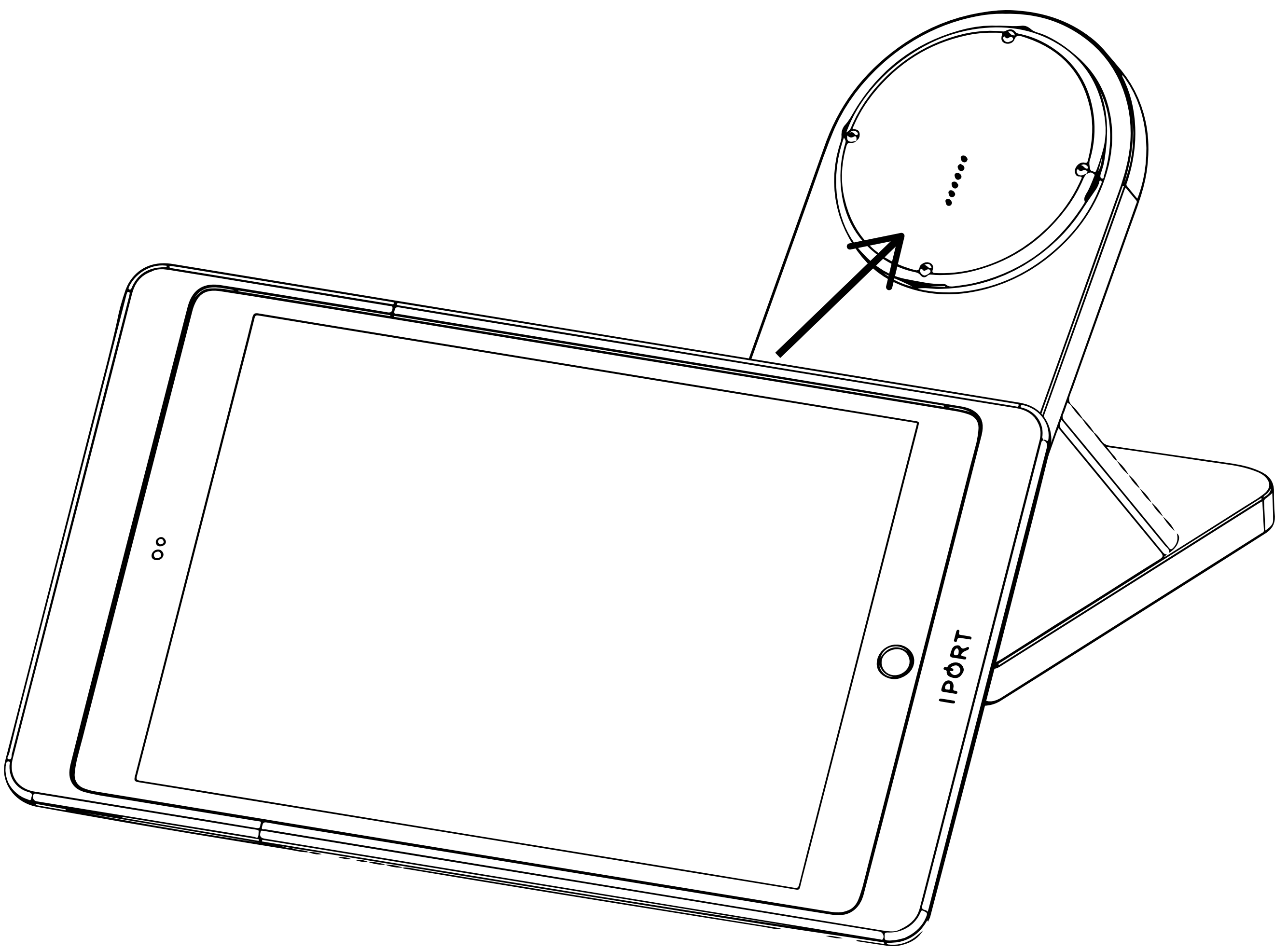
CASE

- **For added security rotate the IPORT tool clockwise to tighten the setscrew in place holding the lock secure.**



CASE

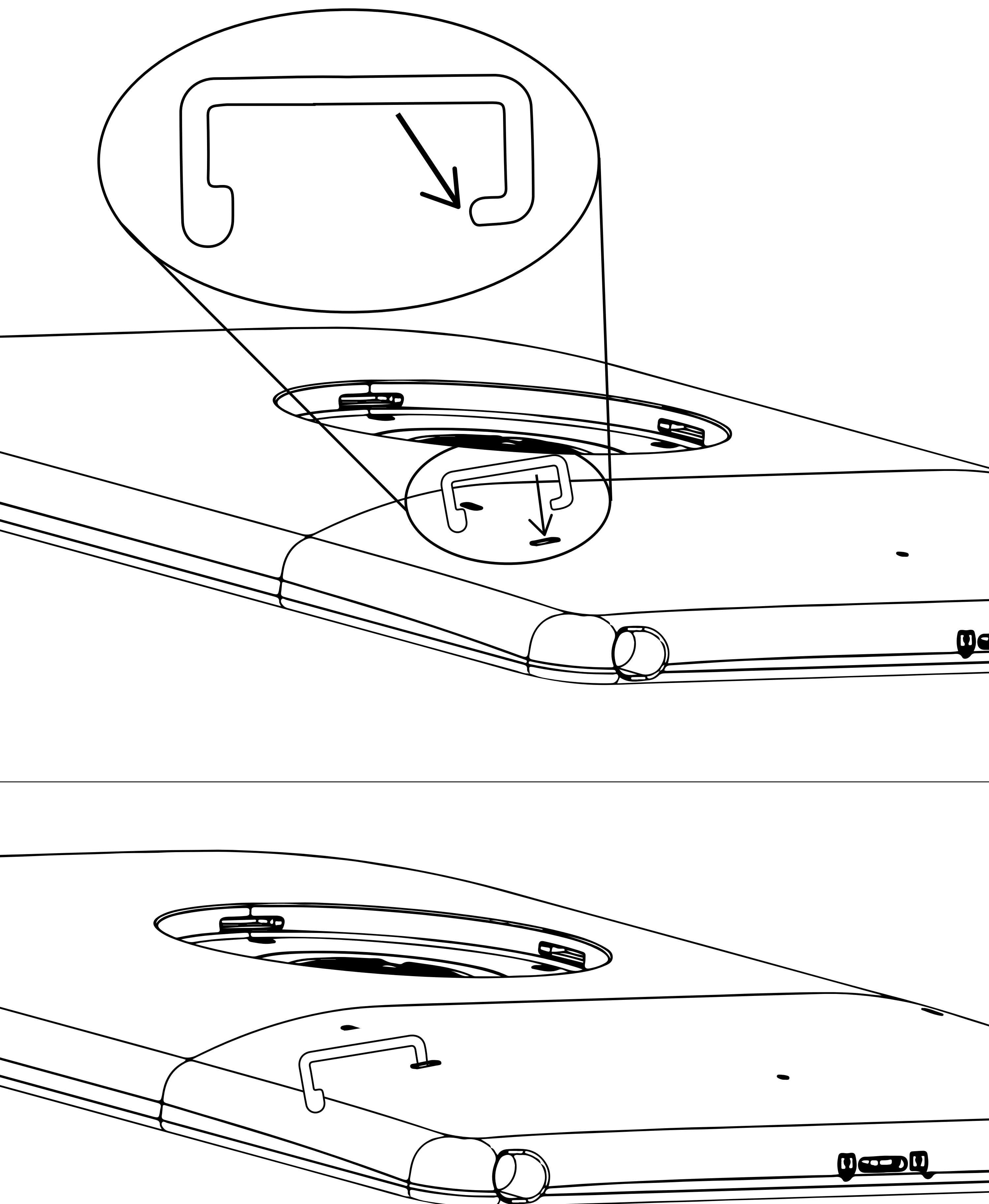
- 6. Place the IPOINT CONNECT Pro Case onto a BaseStation or WallStation for charging.**



CASE

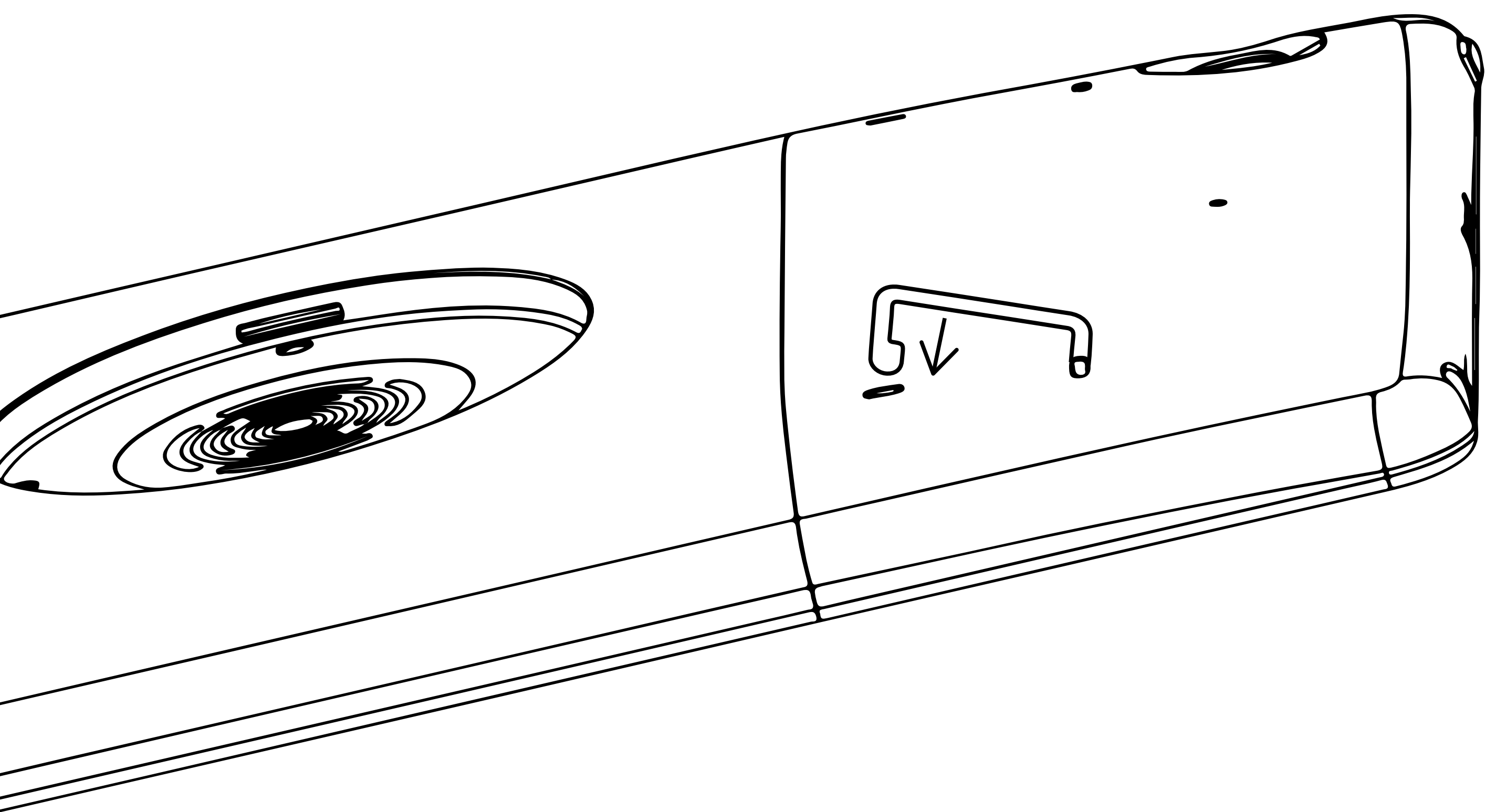
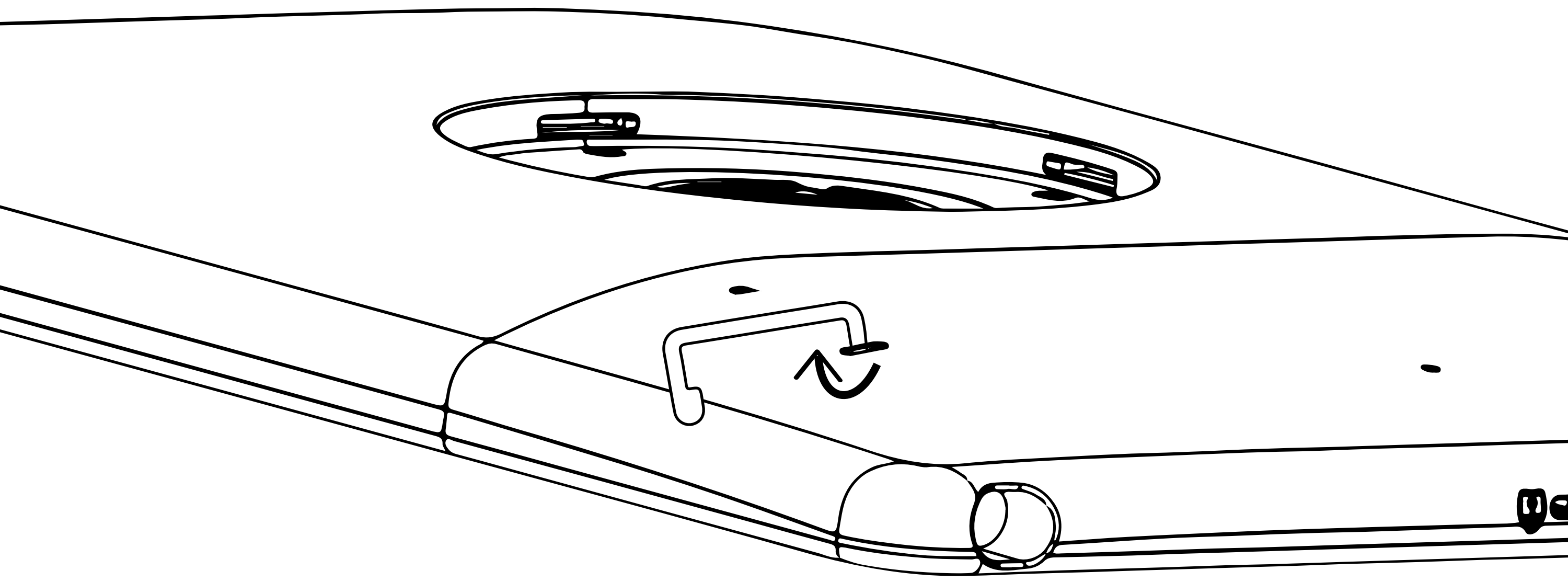
Hand Strap Install - (sold separate)

- 1. Insert the metal strap loops with the flat end pointing towards the left or right side of the case.**



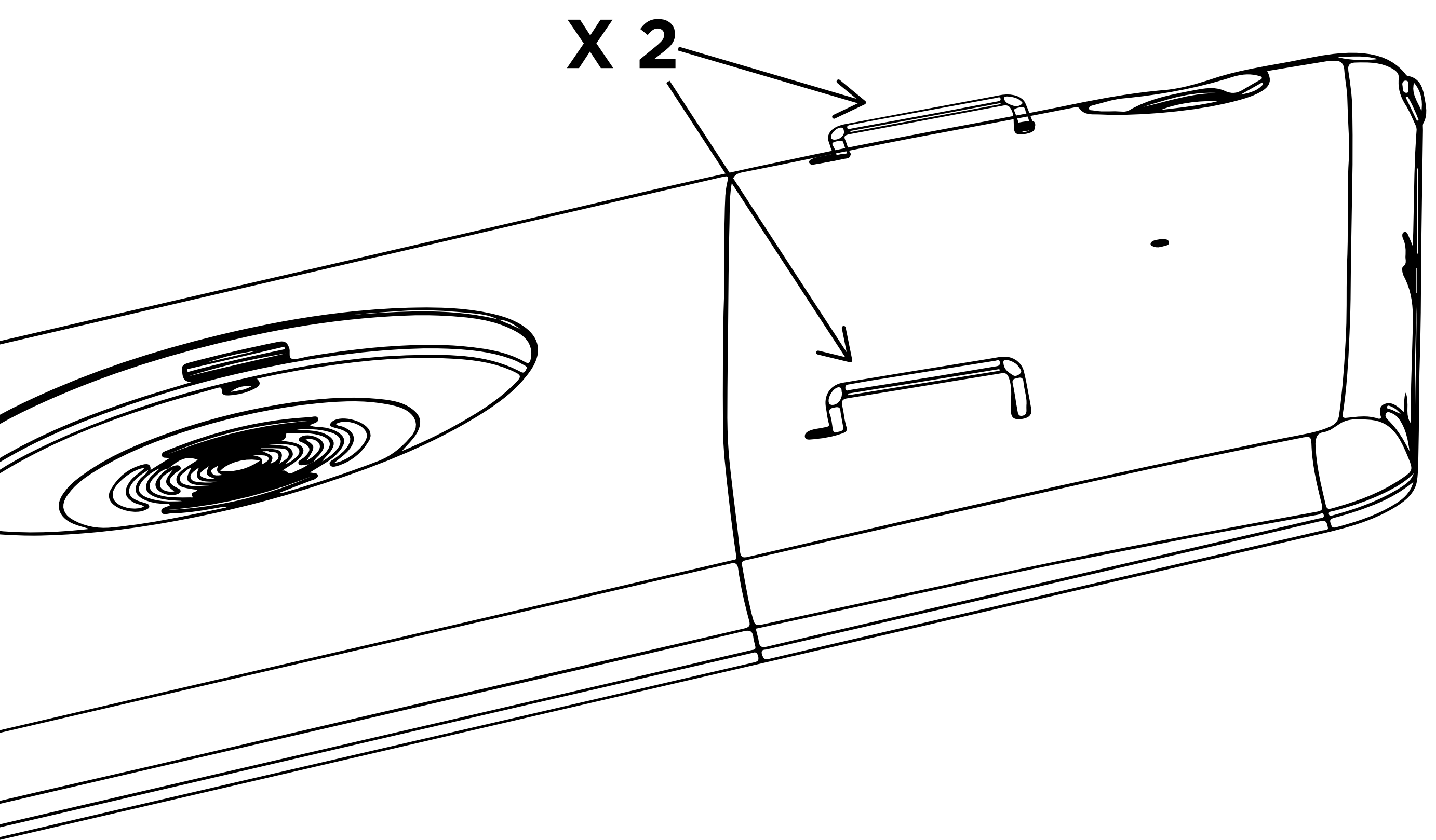
CASE

- 2. Rotate the strap clip towards the bottom of the Case and insert into the hole until the strap clip snaps into place.**



CASE

3. Repeat for the second clip.



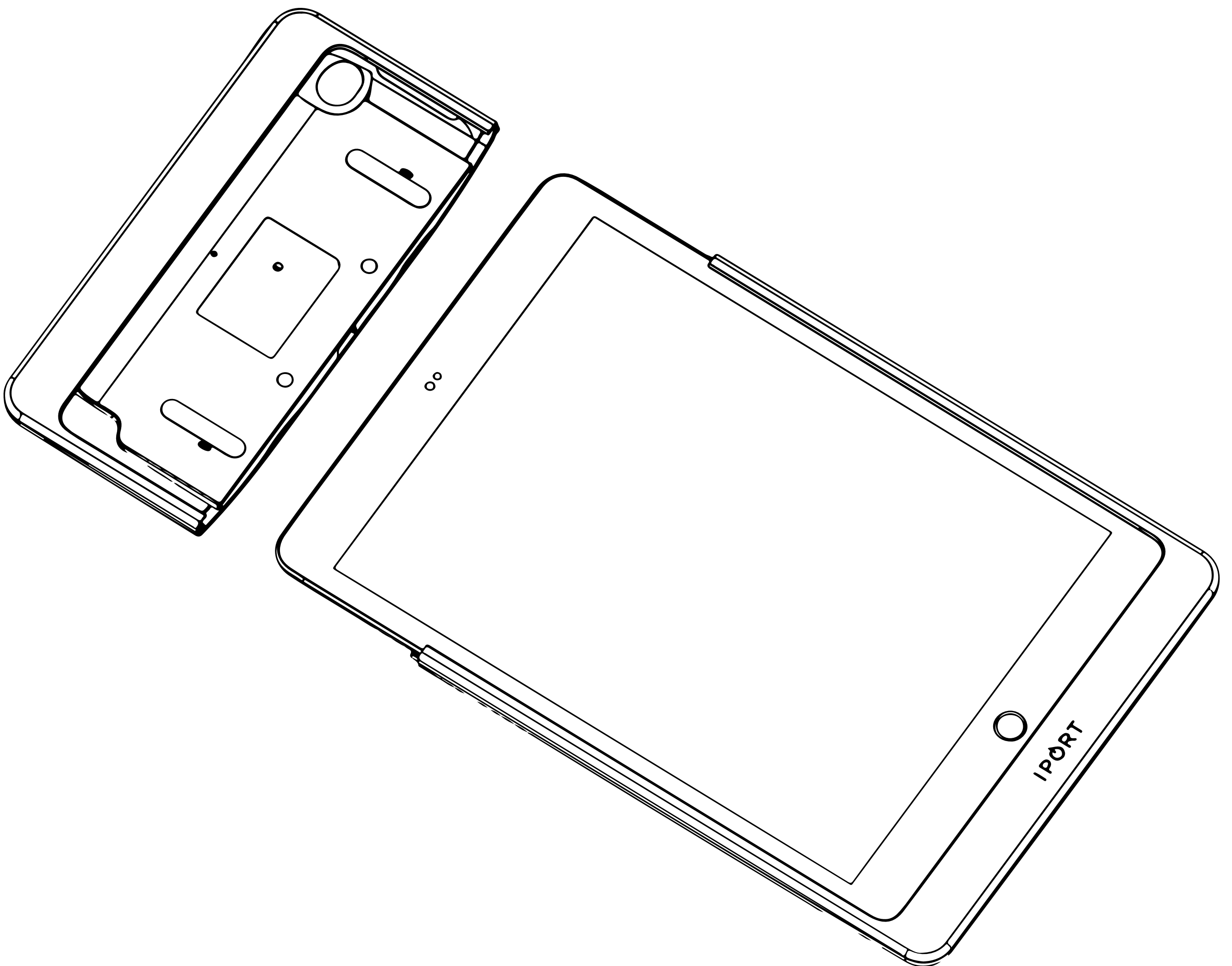
4. Insert the IPORT CONNECT Hand Strap under both strap loops with the Velcro facing out from the case, fold over the Hand Strap and attach to the Velcro. Adjust hand strap to a snug but comfortable fit around the top of your hand.

- **NOTE Case Top and Bottom MUST be locked together to properly secure the iPad and CONNECT PRO Case together.**

CASE

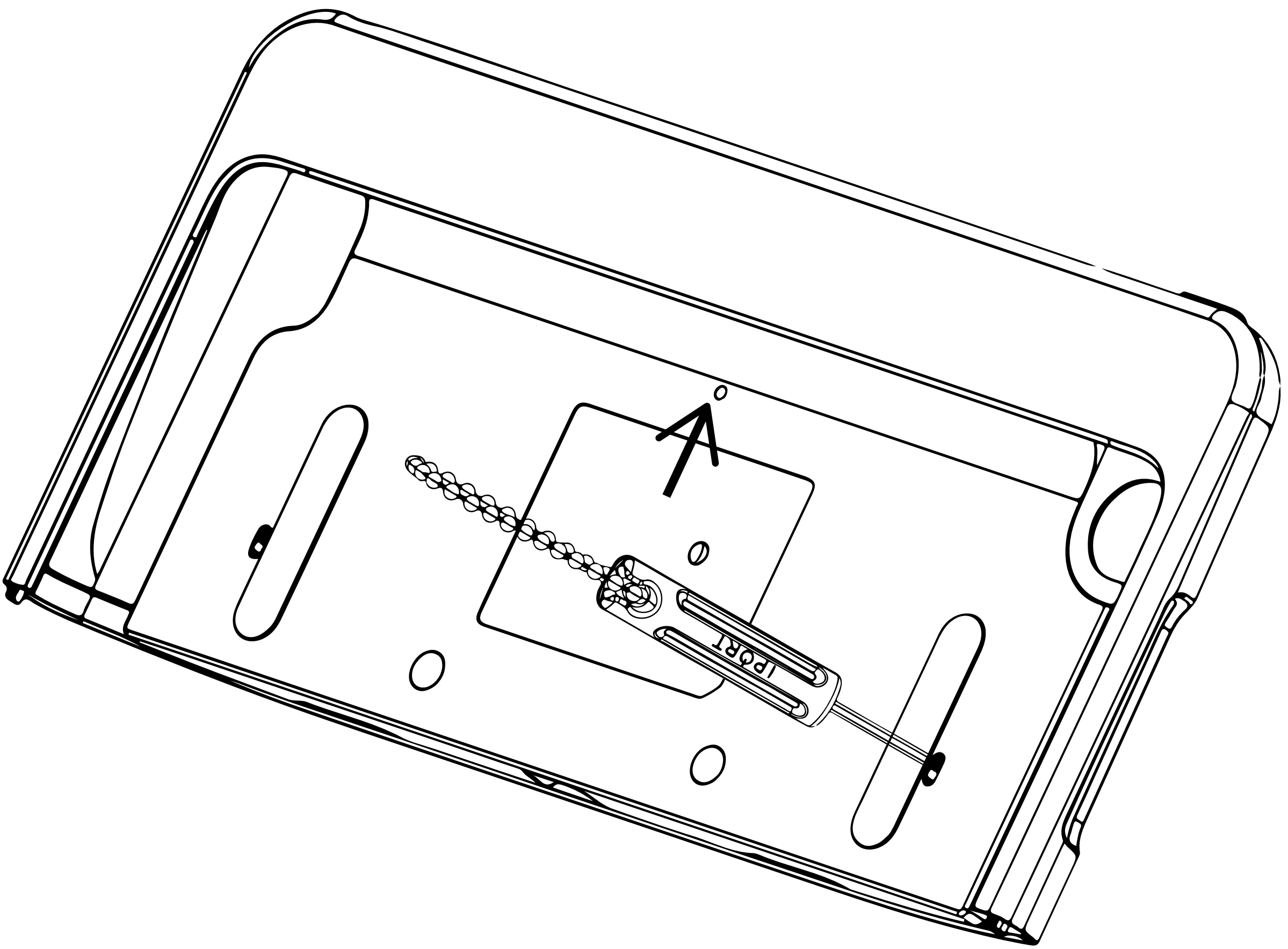
Hand Strap Removal

- 1. Unlock the CONNECT PRO Case Top from the Case Bottom. See step 5 of installing the Case.**
- 2. Remove the Case Top from the Case Bottom.**



CASE

- 3. On the inside of the Case Top, locate the small oval hole and insert the IPORT CONNECT Security tool. Pivot the IPORT Security tool toward the top of the Case Top freeing the Strap loop. Rotate the Strap loop 90 degrees left or right to remove the Strap Loop from the Case Top.**



- 4. Repeat for the second strap loop.**

CASE

REGULATORY AND SAFETY INFORMATION

FCC STATEMENT:

This device complies with Part 15 of the FCC Rules. Operation is subject to the following two conditions:

- (1) This device may not cause harmful interference, and
- (2) This device must accept any interference received, including interference that may cause undesired operation.

CAUTION: Any Changes or modifications not expressly approved by the party responsible for compliance could void the user's authority to operate the equipment.

NOTE: This equipment has been tested and found to comply with the limits for a Class B digital device, pursuant to Part 15 of the FCC Rules. These limits are designed to provide reasonable protection against harmful interference in a residential installation. This equipment generates uses and can radiate radio frequency energy and, if not installed and used in accordance with the instructions, may cause harmful interference to radio communications.

However, there is no guarantee that interference will not occur in a particular installation. If this equipment does cause harmful interference to radio or television reception, which can be determined by turning the equipment off and on, the user is encouraged to try to correct the interference by one or more of the following measures:

- Reorient or relocate the receiving antenna.
- Increase the separation between the equipment and receiver.
- Connect the equipment into an outlet on a circuit different from that to which the receiver is connected.
- Consult the dealer or an experienced radio/TV technician for help

CANADA WARNING (ISED)

This device complies with Industry Canada license-exempt RSS standard(s). Operation is subject to the following two conditions:

- (1) this device may not cause interference, and
- (2) this device must accept any interference, including interference that may cause undesired operation of the device."

IMPORTANT SAFETY INSTRUCTIONS

You should always follow these basic safety precautions when using your IPORT products to reduce the risk of fire, electric shock, and injury to persons.

1. Read all the safety and operating instructions before operating your IPORT product.
2. Do not store and expose your device to high temperatures including heat caused by intense sunlight or placing on hot surface. Do not place device in fire or other excessively hot environments.
3. Do not disassemble or modify this device unless instructed to do so in this user manual.
4. If this device is accessible to or may be used by a minor, purchasing adult agrees to be solely responsible for providing instructions and supervision. Purchaser agrees to defend, indemnify, and hold Manufacturer harmless for any claims or damages arising from unintended use or misuse by a minor.
5. Do not submerge in water or liquid or expose device to excessive water not reasonable for normal use as described in the user manual.
6. IPORT products are of high quality and go through quality assurance inspections. However, if you notice abnormal operation or device is getting excessively hot, immediately stop all product use and contact manufacture.
7. **CAUTION:** To prevent Electric Shock, do not use the polarized plug with an extension cord, receptacle, or other outlets unless the blades can be fully inserted to prevent blade exposure.
8. **Power Cord Protection:** Route power supply cords so they will not be walked on or pinched by Items.