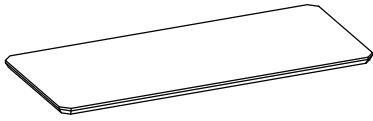


ASSEMBLY INSTRUCTION

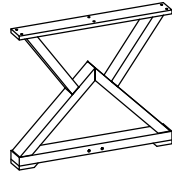
92" RECTANGULAR DINING TABLE

A Table Top



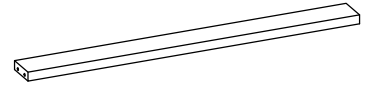
1 PC

B Leg Frame



2 PCS

C Rail



1 PC

D Support Rail



2 PCS

E Bolt
5/16" x 1-3/4"



12 PCS

F Bolt
5/16" x 3"



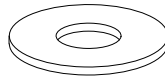
8 PCS

G Spring Washer
5/16"



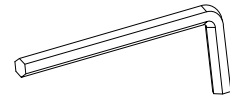
20 PCS

H Flat Washer
5/16" x 22 x 2mm



20 PCS

I Allen Wrench
5/16"



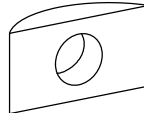
1 PC

J Bolt
5/16" x 3-3/4"



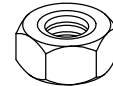
4 PCS

K Half Moon Screw Nut



4 PCS

L Screw Nut
5/16"

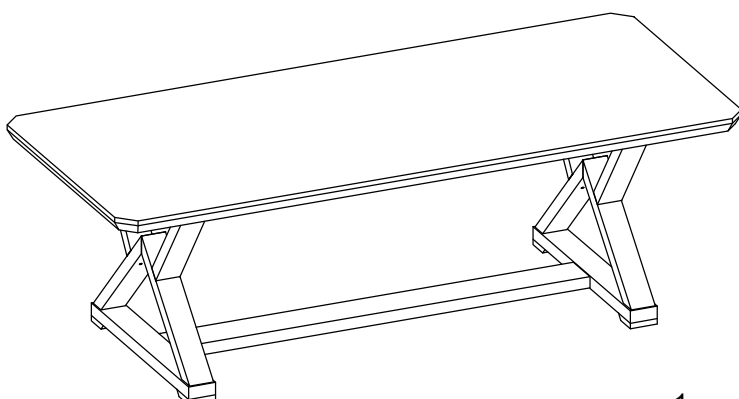


4 PCS

M Wrench
12mm

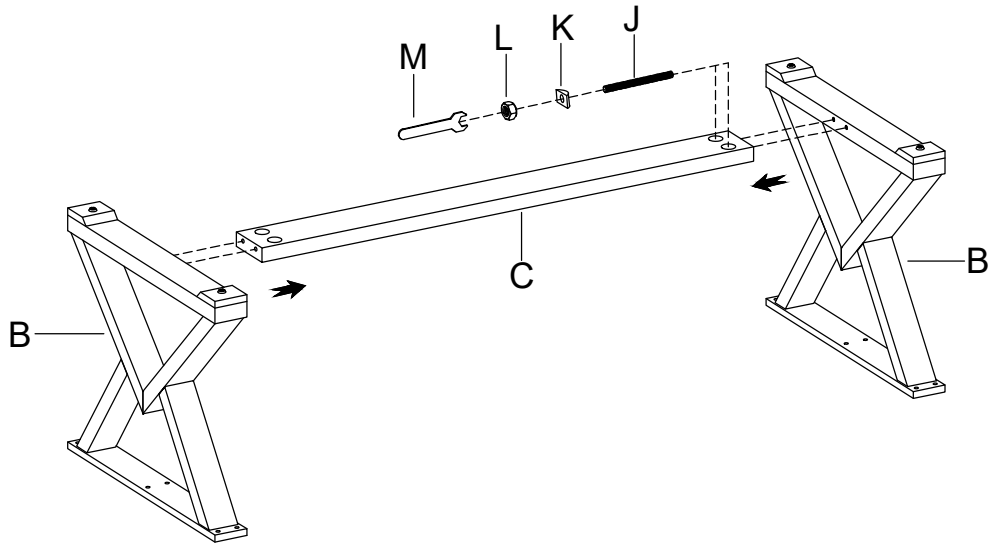


1 PC

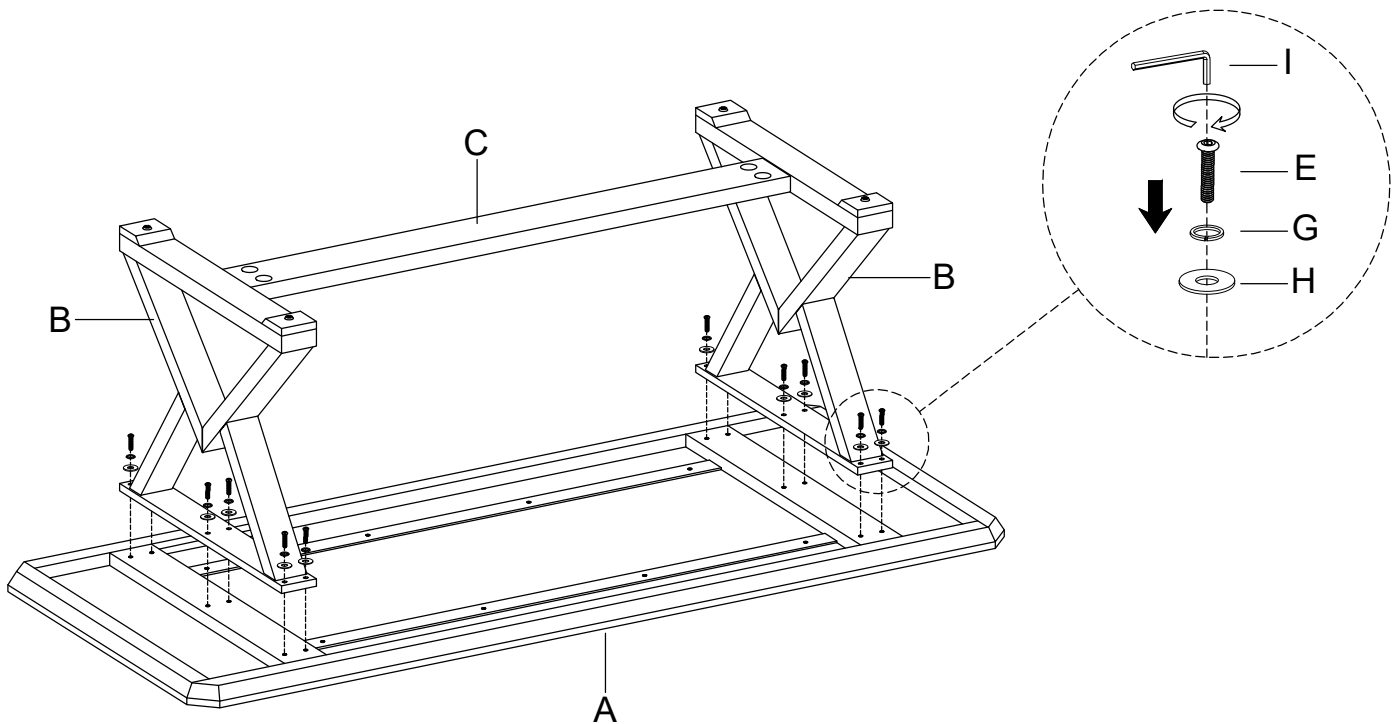


This page lists all the contents included in the box. Please take the time to identify the hardware as well as the individual components to this product. As you unpack and prepare for assembly, place the contents on a carpeted or padded area to protect them from damage.

1 Attach the Rail (C) to the Leg Frame (B) using Bolt (J), Half Moon Screw Nut (K) and Screw Nut (L) with Wrench (M). Do not fully tighten the bolts in this step.

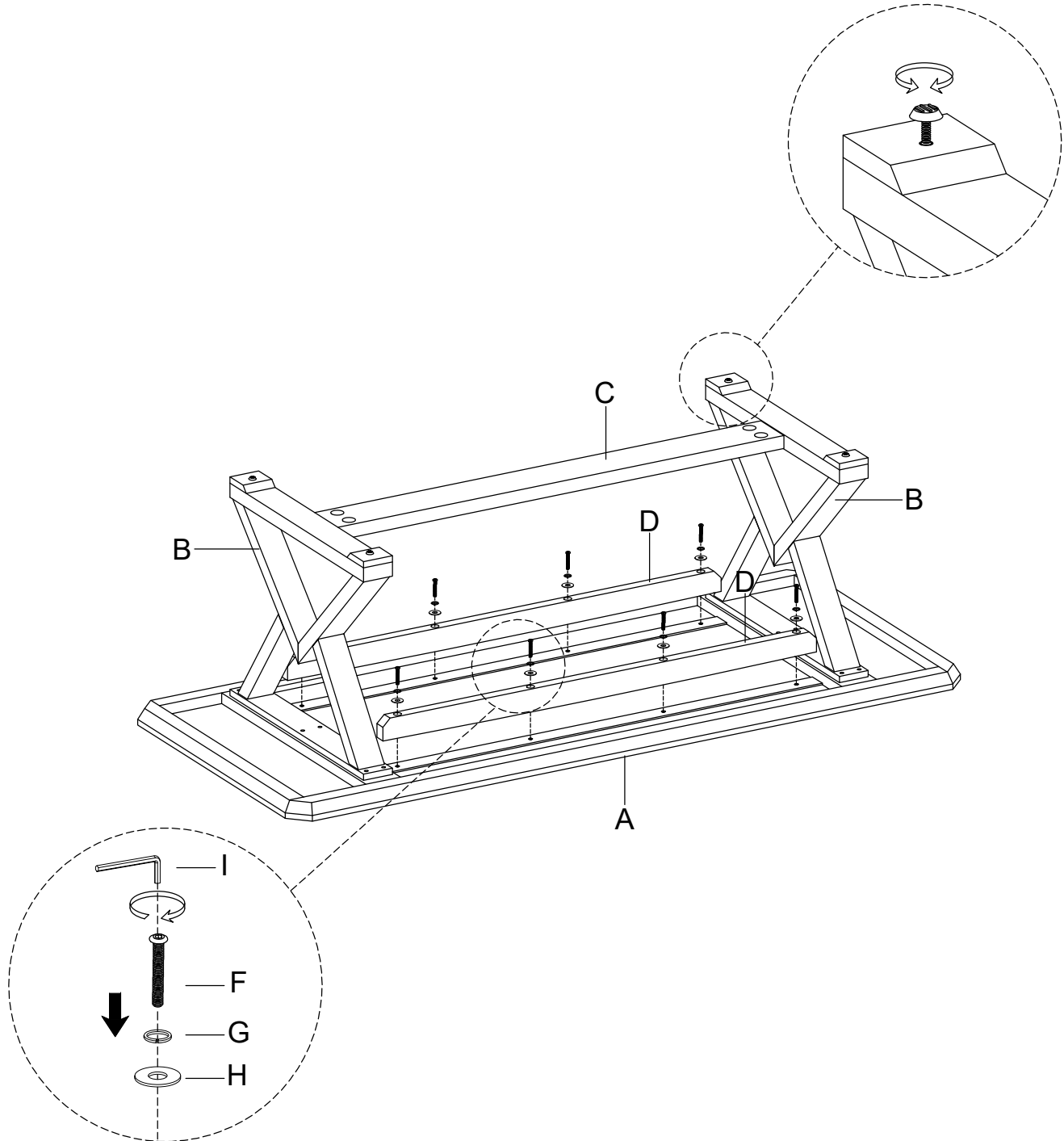


2 Attach the Leg Frame (B) to the Table Top (A) using Bolt (E), Spring Washer (G) and Flat Washer (H) with Allen Wrench (I). Do not fully tighten the bolts in this step.



3 Attach the Support Rail (D) to the Table Top (A) using Bolt (F), Spring Washer (G) and Flat Washer (H) with Allen Wrench (I). Fully tighten all the bolts in this step.

Turn left or turn right to adjust the leveler until the table is stabilized.



Cleaning & Care

Treat surfaces with care. Surfaces are resistant to scratches but are not scratch resistant. Clean surfaces with a dry or damp soft cloth. Do not use abrasive cleaners. Hardware may loosen over time. Periodically check that all connections are tight.