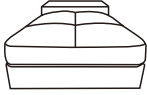

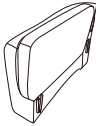
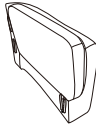
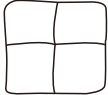





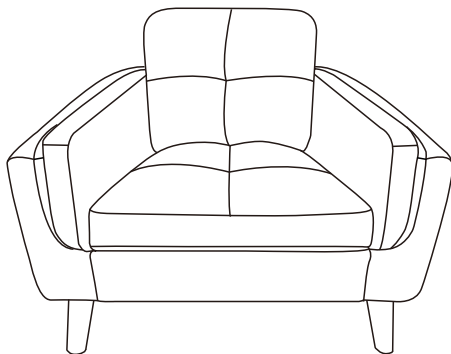


ASSEMBLY INSTRUCTION

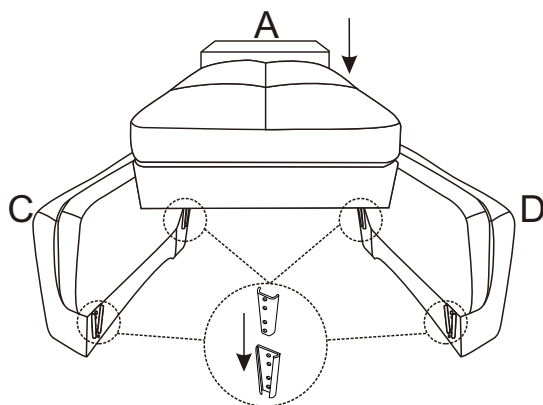
CHAIR

A Seat	B Backrest	C Lsf Arm	D Rsf Arm
			
1 PC	1 PC	1 PC	1 PC
E Back Cushion	F Wooden Leg	G Bolt M6 x 25mm	H Bolt M6 x 60mm
			
1 PC	4 PCS	16 PCS	2 PCS
I Flat Washer Ø22mm	J Allen Key M8 x 35mm		
			
2 PCS	1 PC		

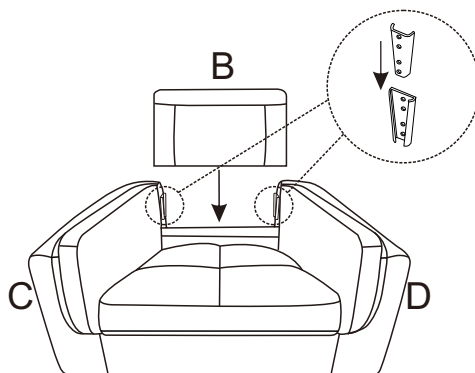


This page lists all the contents included in the box. Please take the time to identify the hardware as well as the individual components to this product. As you unpack and prepare for assembly, place the contents on a carpeted or padded area to protect them from damage.

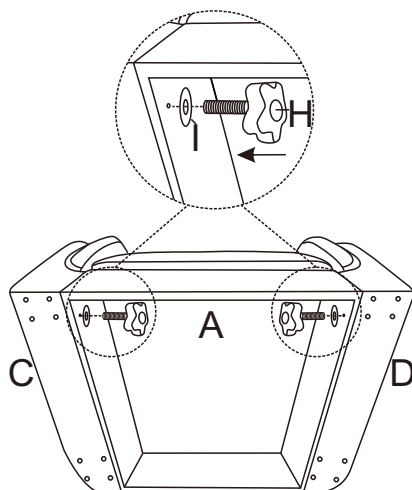
-
- 1** Attach Seat (A) to Lsf Arm (C) and Rsf Arm (D) by using brackets as shown. Make sure brackets are secured in position.



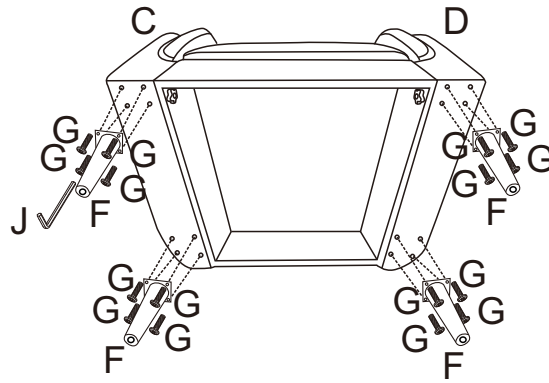
-
- 2** Attach Backrest (B) to Lsf Arm (C) and Rsf Arm (D) by using brackets as shown. Make sure brackets are secured in position.



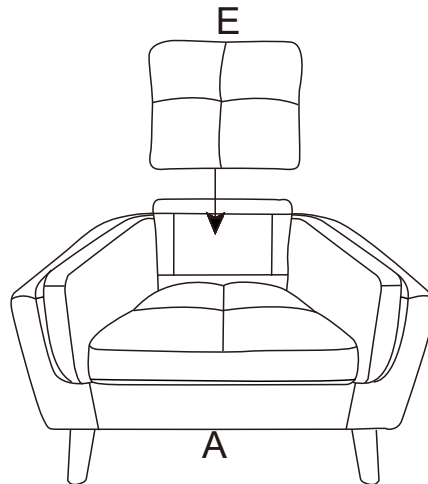
-
- 3** Insert Bolt (H) and Flat Washer (I) into the pre-drilled holes of Seat (A), Lsf Arm (C) and Rsf Arm (D) and tighten them.



-
- 4** Attach Wooden Leg (F) to Lsf Arm (C) and Rsf Arm (D) by using Bolt (G) and Allen Key (J).



-
- 5** Put Back Cushion (E) on Seat (A).



Cleaning & Care

Treat surfaces with care. Surfaces are resistant to scratches but are not scratch resistant. Clean surfaces with a dry or damp soft cloth. Do not use abrasive cleaners. Hardware may loosen over time. Periodically check that all connections are tight.