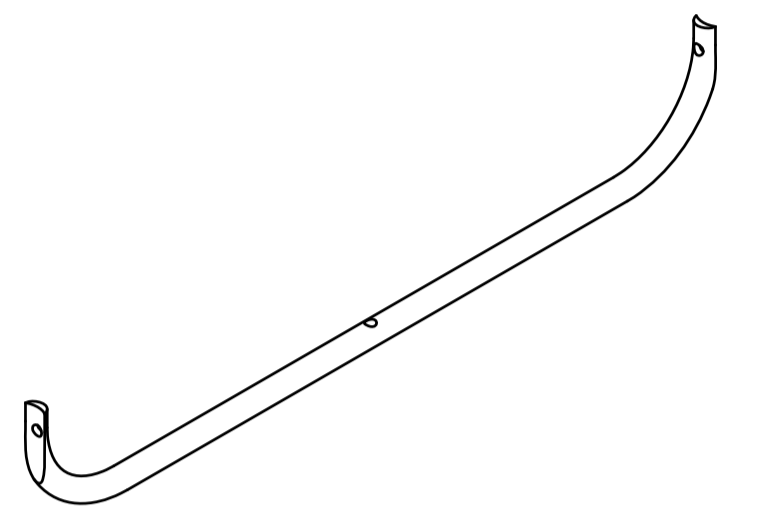
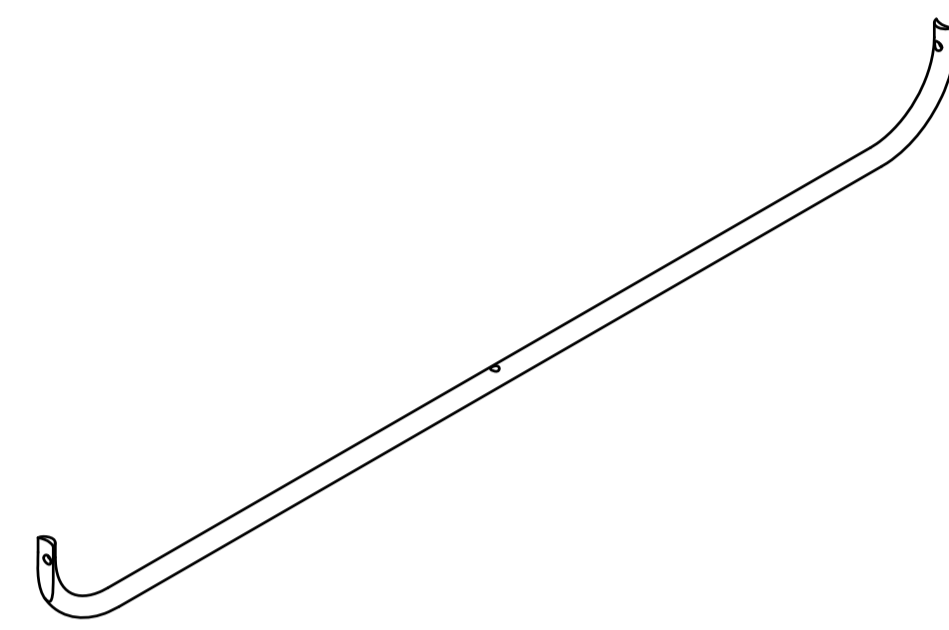
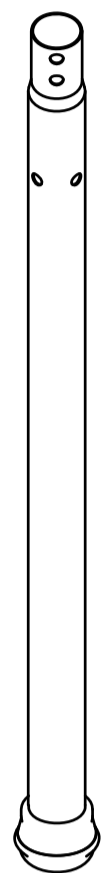
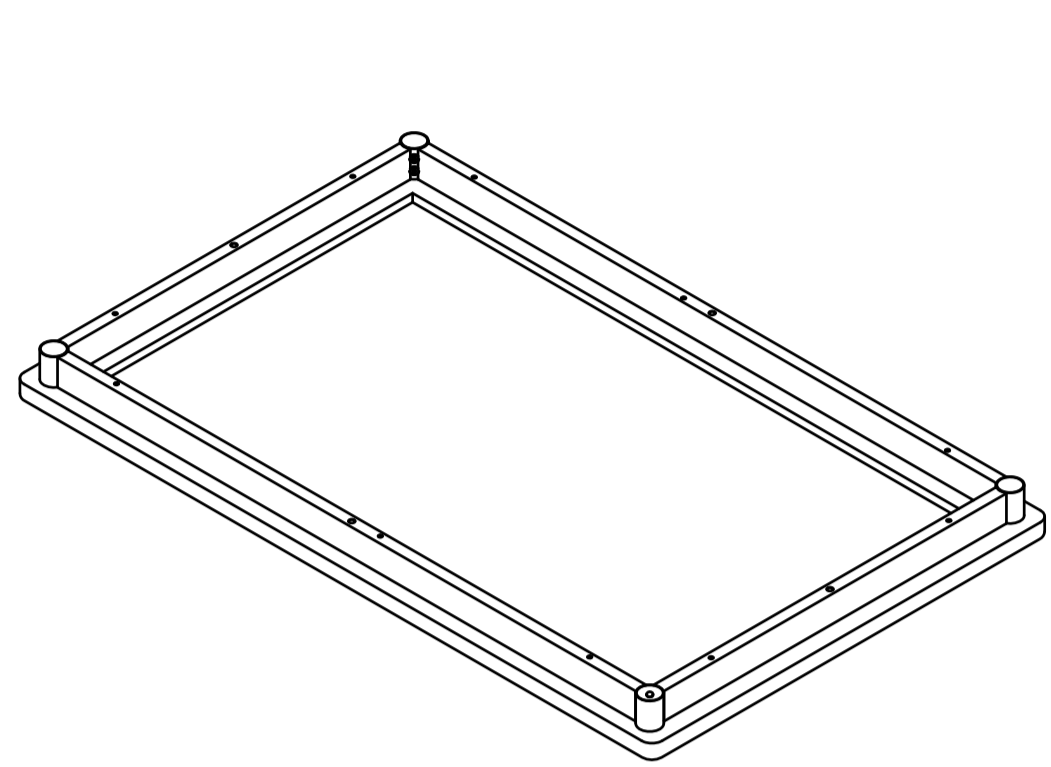


ASSEMBLY INSTRUCTION

DINING TABLE WITH PVC VENEER TOP

A Table Top With Apron **B** Table Leg **C** Long Rail **D** Short Rail



1PC

4PCS

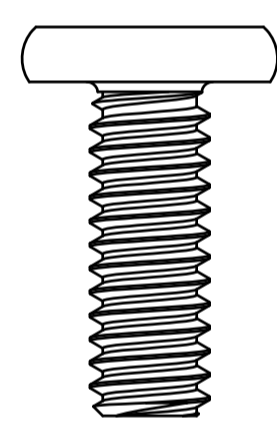
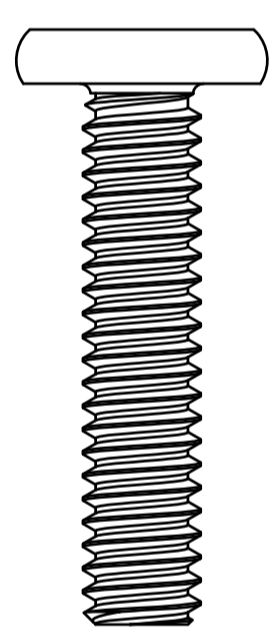
2PCS

2PCS

E Bolt
1/4"*43mm

F Bolt
1/4"*16mm

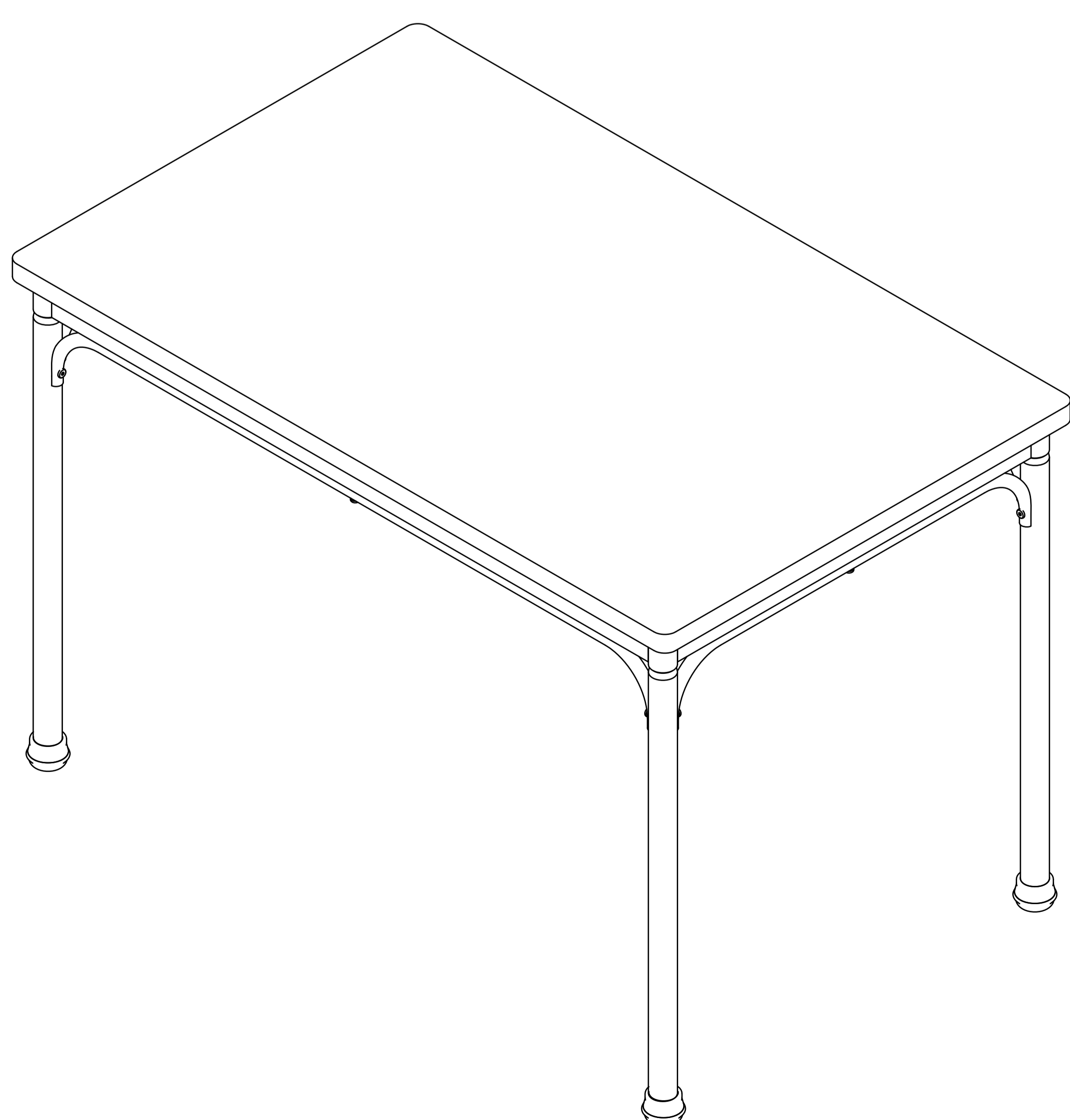
G L-Allen Key
4mm



4PCS

16PCS

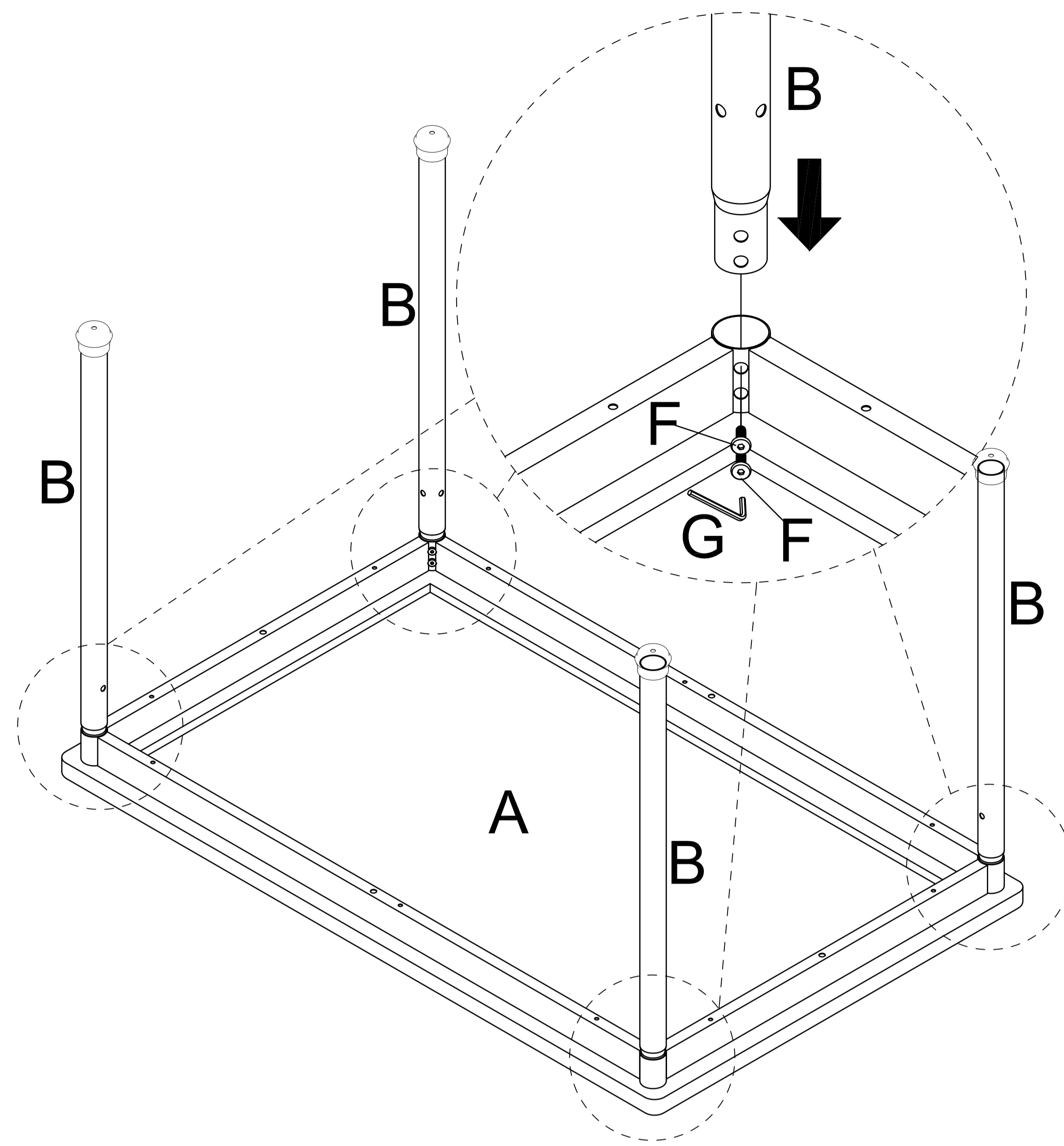
1PC



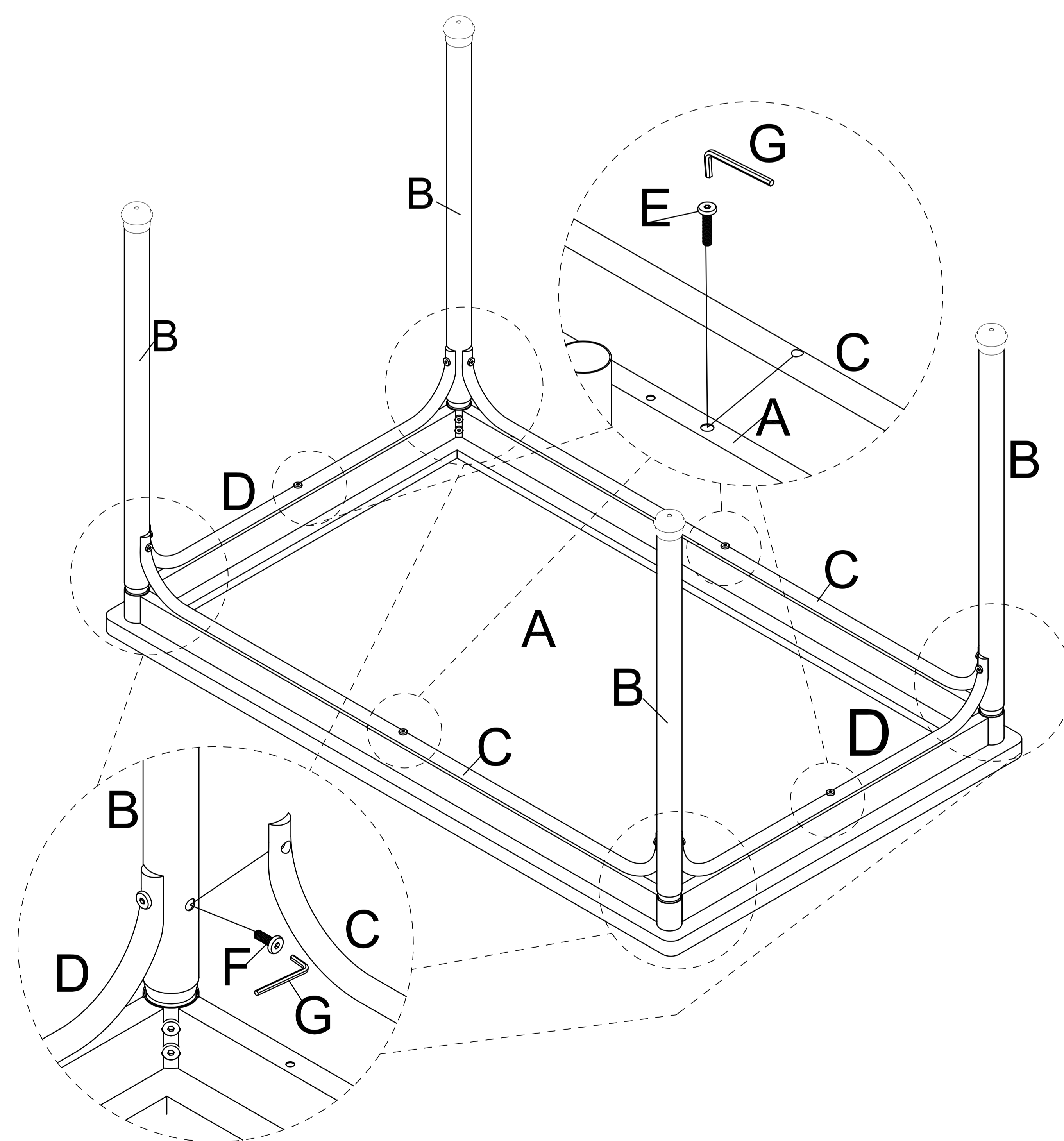
This page lists all the contents included in the box. Please take the time to identify the hardware as well as the individual components to this product. As you unpack and prepare for assembly, place the contents on a carpeted or padded area to protect them from damage.

1

Place the Table Top With Apron (A) on the smooth and stable carpeted or padded surface. Attach the Table Leg (B) to the Table Top With Apron (A), insert the Bolt (F), turn the L-Allen Key (G) to tighten them.

**2**

Attach the Long Rail (C) and Short Rail (D) to table apron. Insert the Bolt (E) and Bolt (F), turn the L-Allen Key (G) to tighten them.



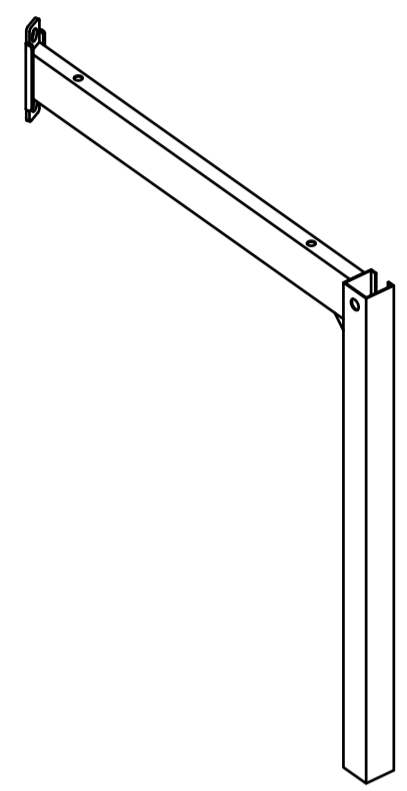
Cleaning & Care

Treat surface with care. Surface is resistant to scratches but is not scratch resistant. Clean surfaces with a dry or damp soft cloth. Do not use abrasive cleaners. Hardware may loosen over time. Periodically check that all connections are tight.

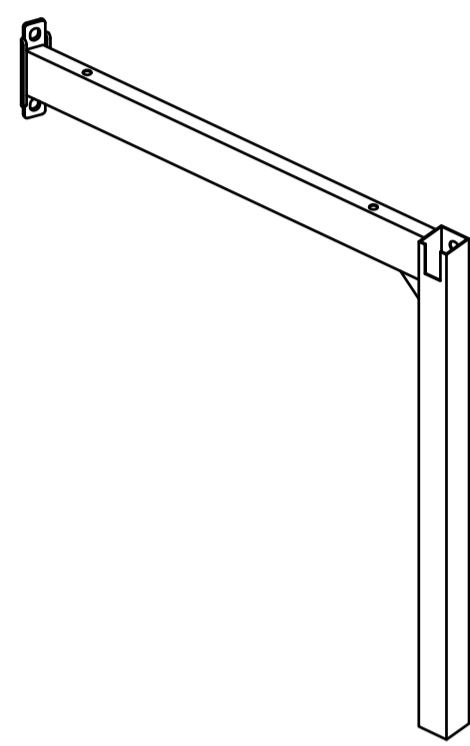
ASSEMBLY INSTRUCTION

SIDE CHAIR

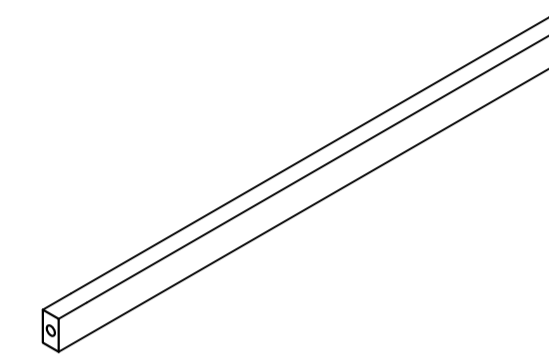
A Left Side Frame



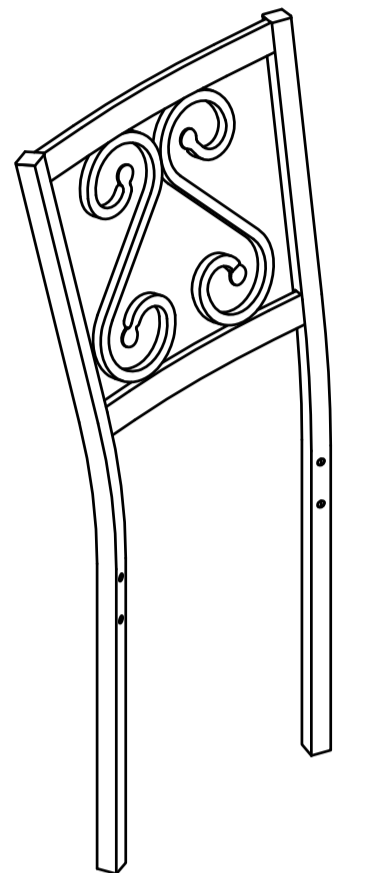
B Right Side Frame



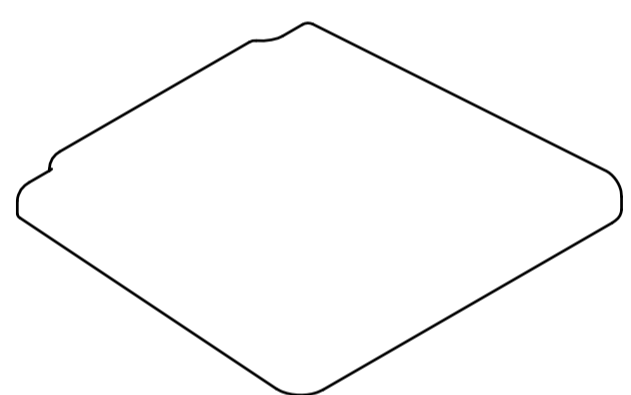
C Front Rail



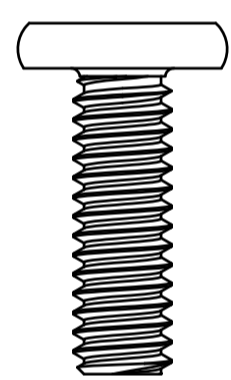
D Chair Back



1PC
E Seat Cushion



1PC
F Bolt
1/4"*19mm



1PC
G Bolt
M5*56mm



1PC
H L-Allen Key
4mm

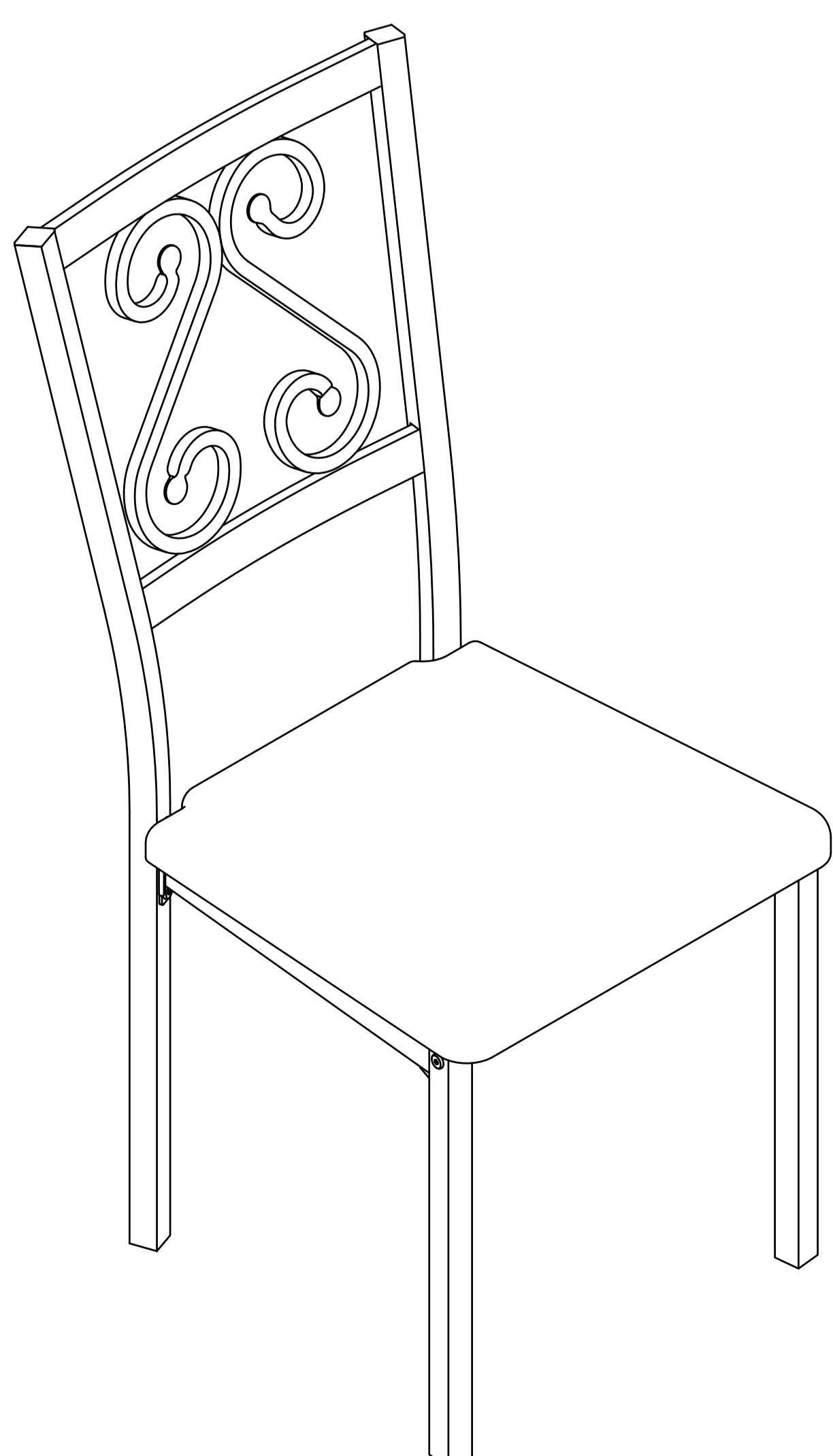


1PC

6PCS

4PCS

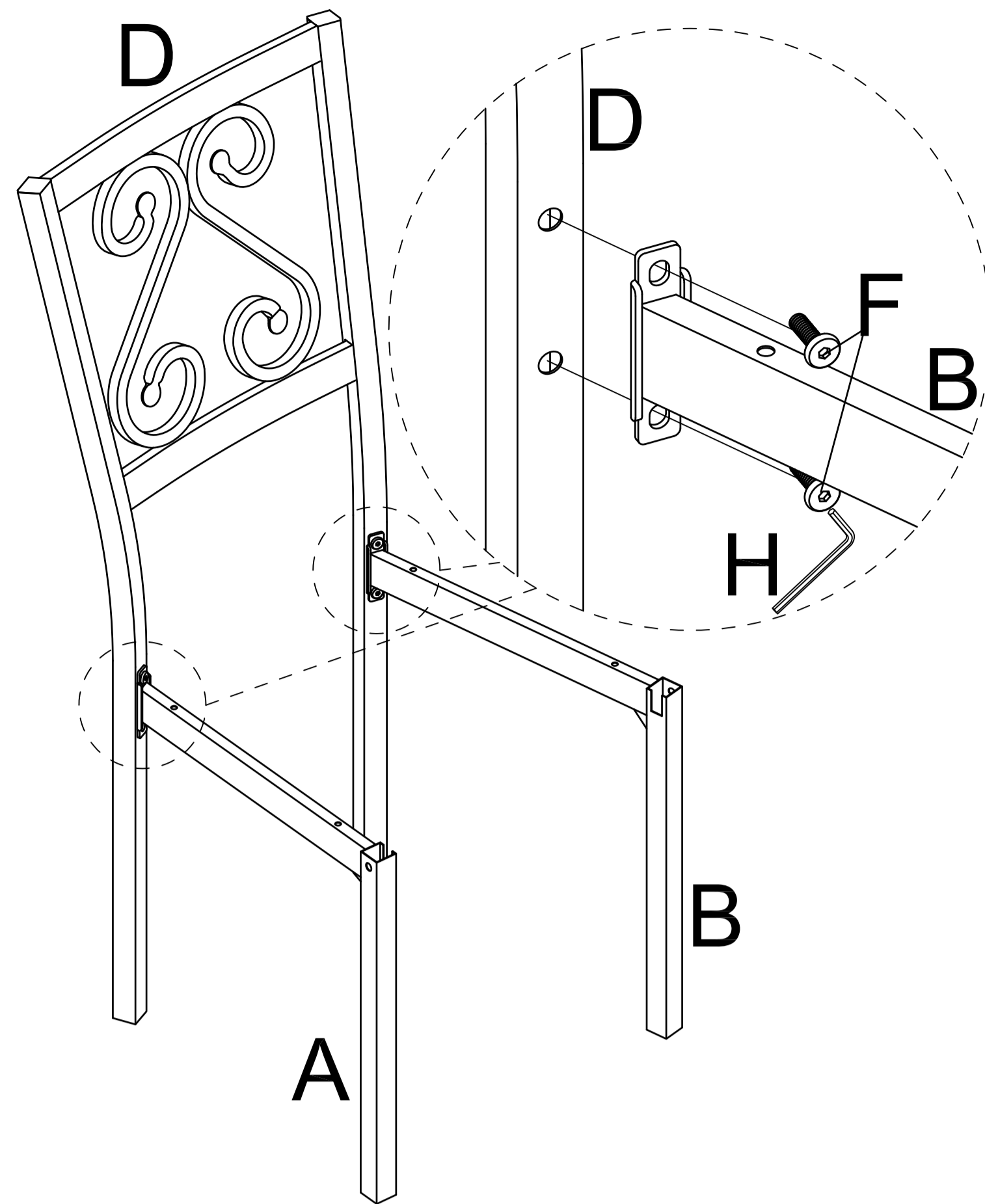
1PC



This page lists all the contents included in the box. Please take the time to identify the hardware as well as the individual components to this product. As you unpack and prepare for assembly, place the contents on a carpeted or padded area to protect them from damage.

1

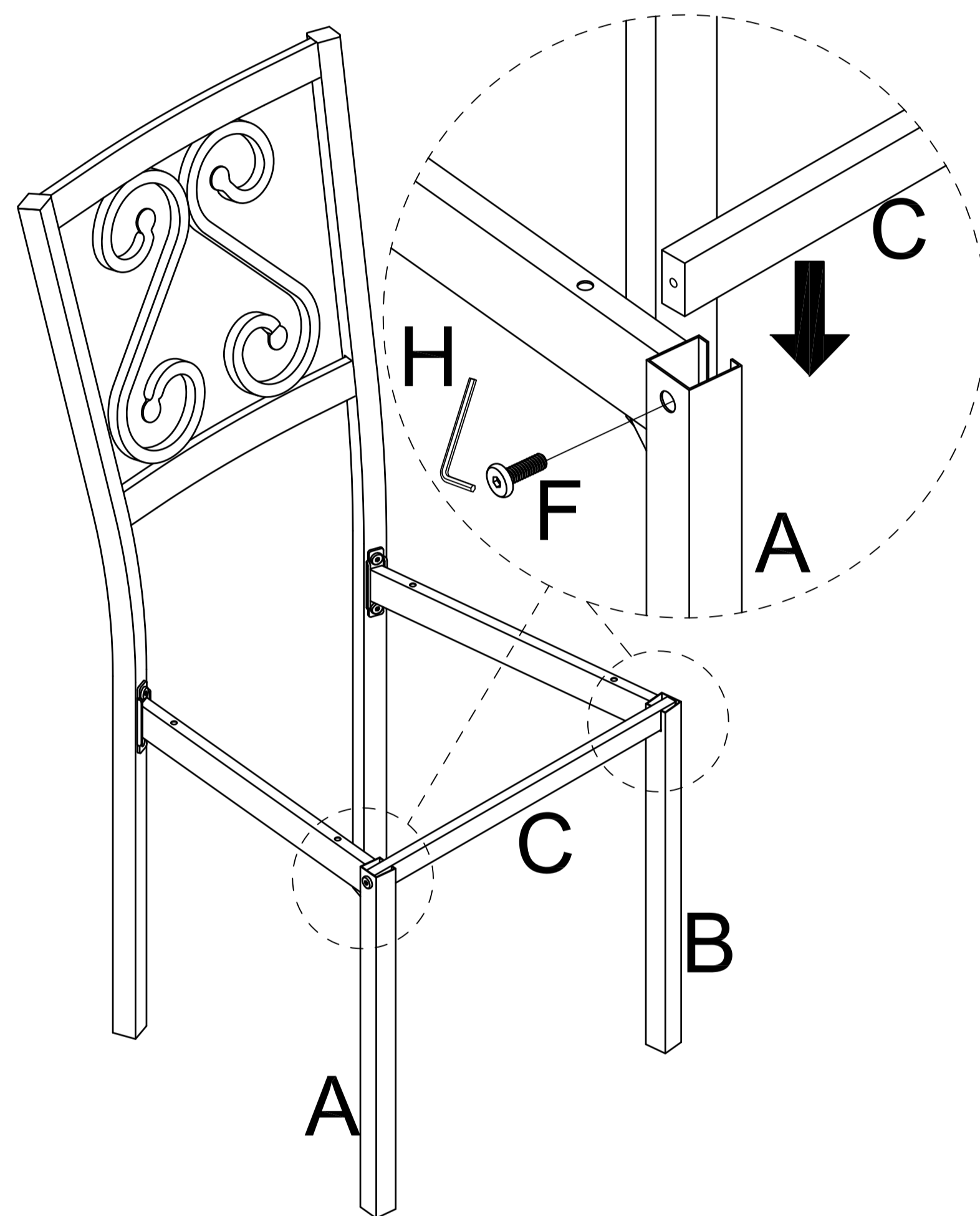
Attach the Left Side Frame (A) and Right Side Frame (B) to the Chair Back (D), insert the Bolt (F), turn the L-Allen Key (H) to tighten them.



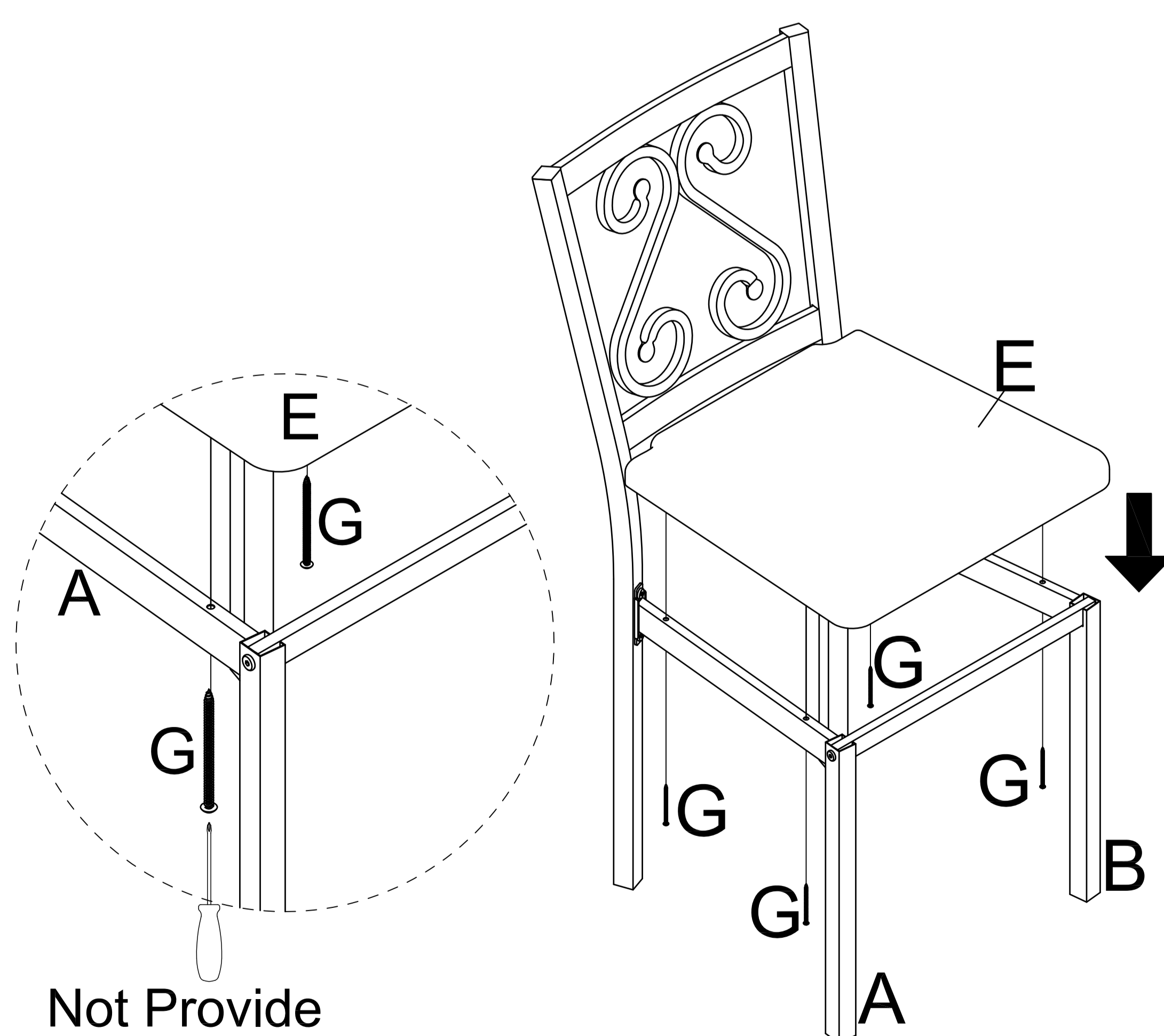
Take the Allen Key, and turn the bolts until the legs are secure. **DO NOT TIGHTEN COMPLETELY.** Stop when you feel you are adding force to tighten the bolts.

2

Attach the Front Rail (C) to the Left Side Frame (A) and Right Side Frame (B), insert the Bolt (F), turn the L-Allen Key (H) to tighten them.

**3**

Attach the Seat Cushion (E) to the seat, insert the Bolt (G) to tighten them.



Stand chair up on an even surface and check that it is balanced. If there is a slight wobble, apply downward pressure in the corner where a leg is uneven. Keeping pressure in that corner, tighten all bolts. If balanced, apply downward pressure evenly in the center and tighten all bolts. Do not over-tighten beyond hole depth.

Helpful Tip:
-Instead of applying downward pressure while reaching under to tighten bolts, have someone sit in the chair while you tighten the bolts.

Cleaning & Care

Treat surface with care. Surface is resistant to scratches but is not scratch resistant. Clean surfaces with a dry or damp soft cloth. Do not use abrasive cleaners. Hardware may loosen over time. Periodically check that all connections are tight.