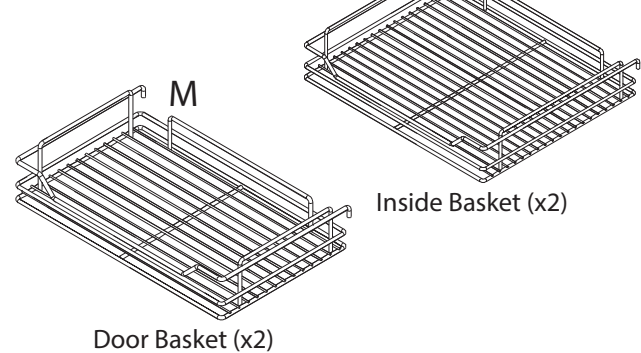
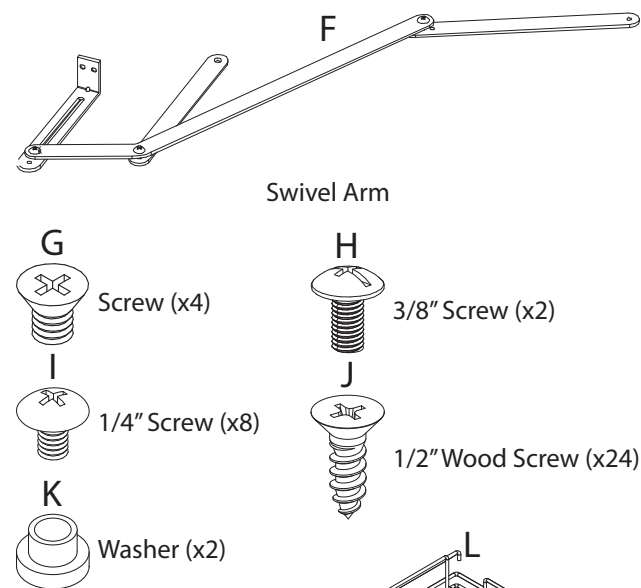
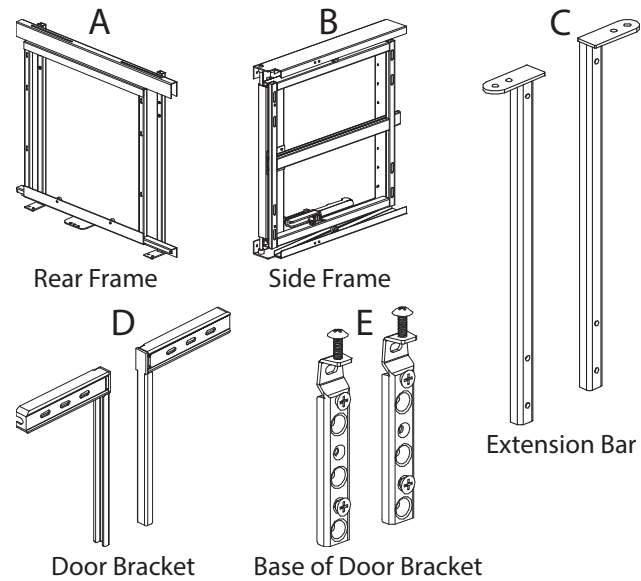
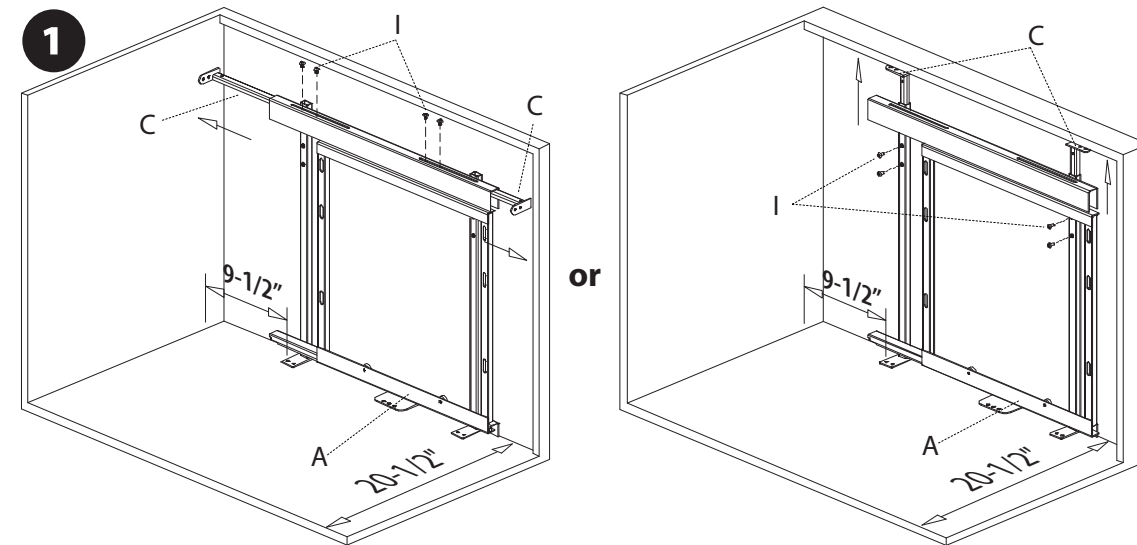




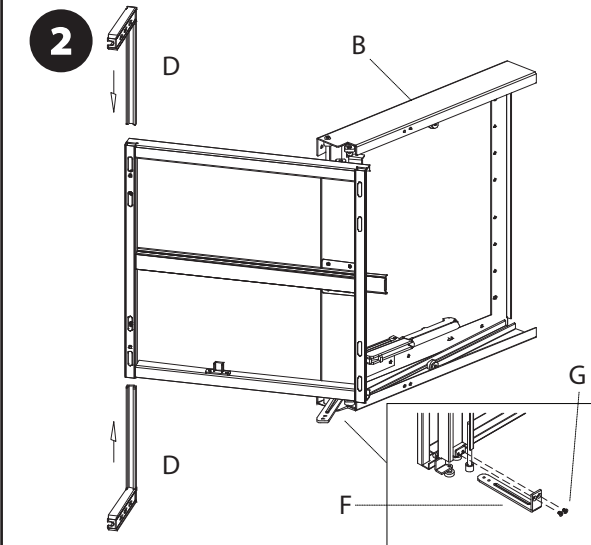
INCLUDED:



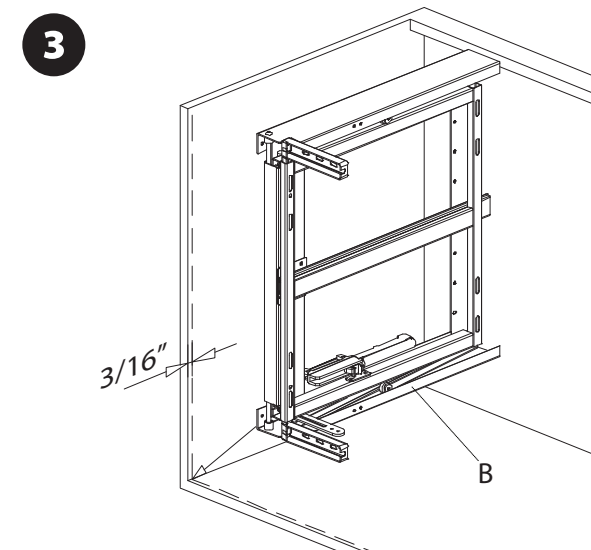
TOOLS NEEDED:



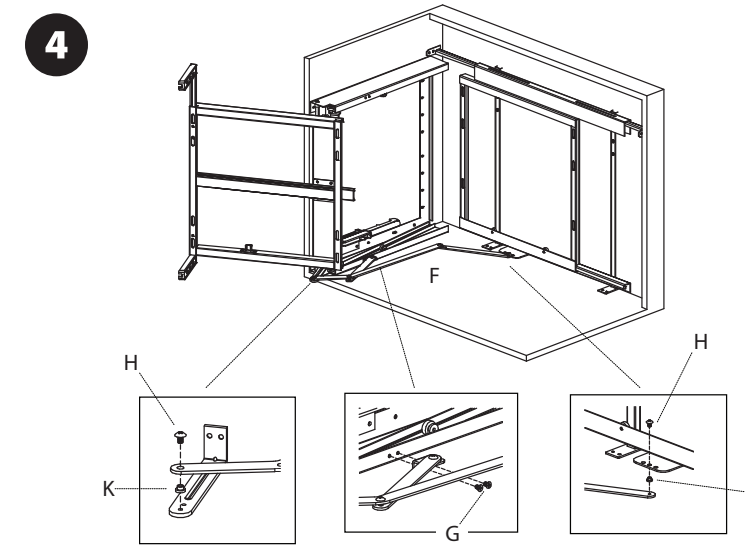
Install back of rear frame at 20-1/2" from rear of face frame with the left edge of mounting foot 9-1/2" from the cabinet side wall for face frame cabinet (8-3/4" for frameless). (See drawing). Secure bottom of rear frame with (4) wood screws provided. The extension arms can be mounted either horizontally or vertically as shown depending on installation. Insert extension arms into slots and loosely secure with (2) 1/4" machine screws per arm. Extend arms until they are firmly against cabinet sides or top of cabinet and tighten machine screws. Secure extension arms into cabinet with (4) wood screws provided.



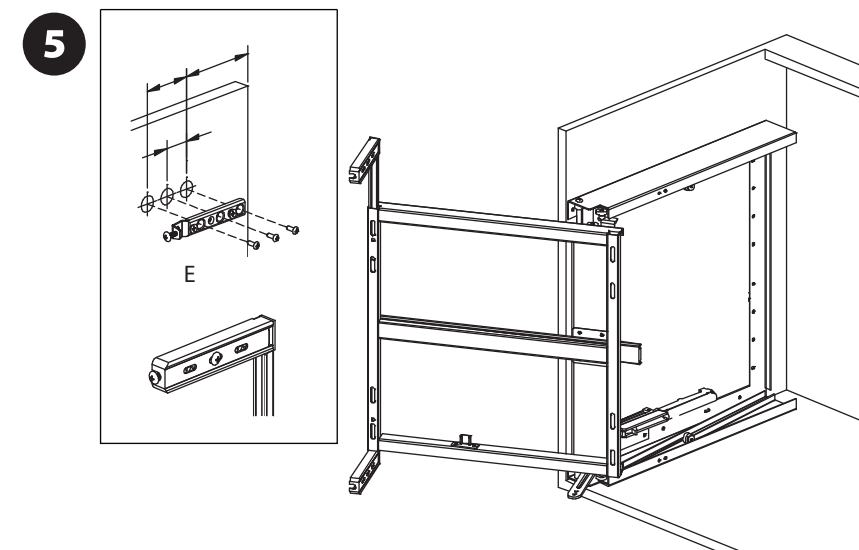
Insert door brackets into side frame and secure with (4) machine screws finger tight at this time. Install L shaped part of swivel arm onto bottom of axle using (2) provided pan head machine screws (see drawing)



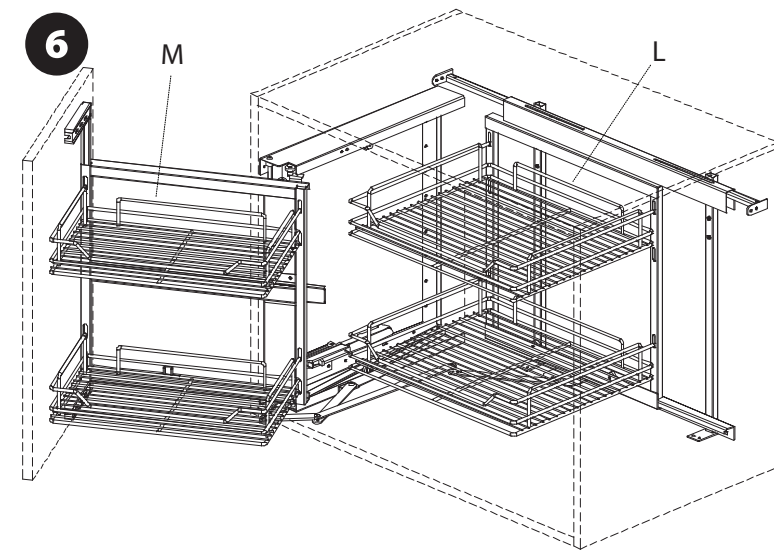
If installing into a face frame cabinet, the side of the cabinet will need to be shimmed so that the shim material is flush with the edge of the face frame. Install the side frame with 3/16" set back from front of cabinet as shown in diagram. Secure with (8) 1/2" wood screws.



Attach the swivel arm to the side frame and rear frame with the (2) provided machine screws and washers.



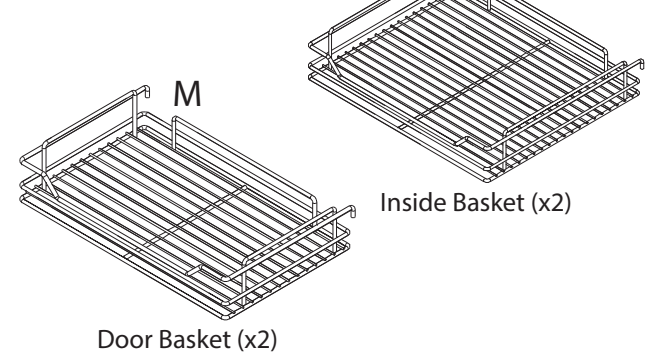
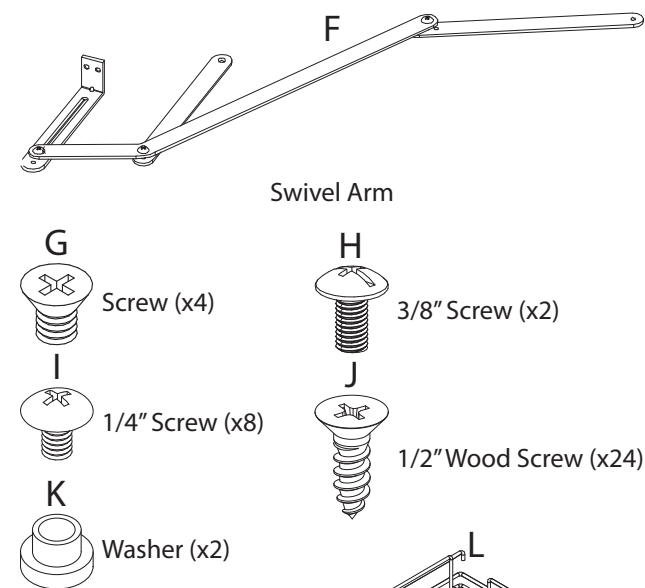
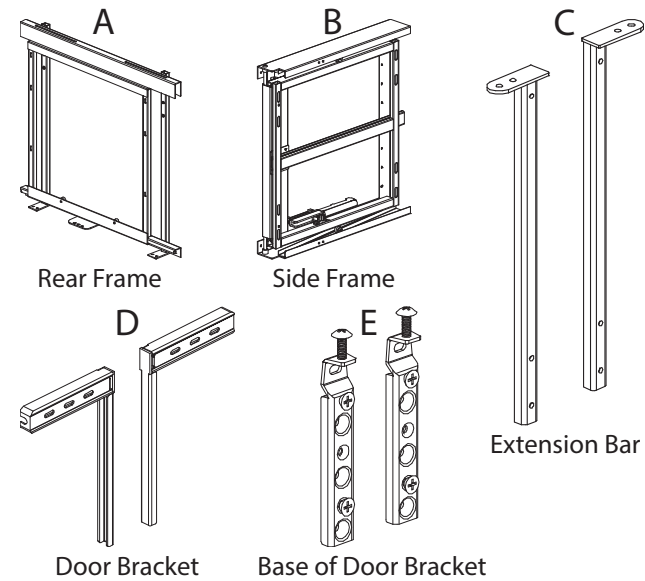
Install the door bracket base onto the door and attach door with base onto door brackets.



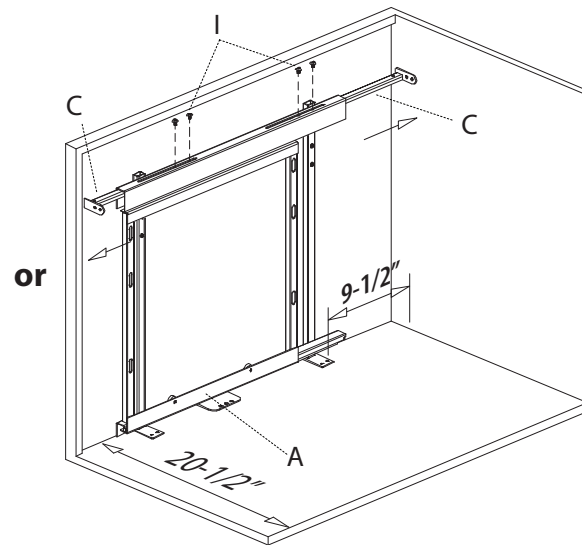
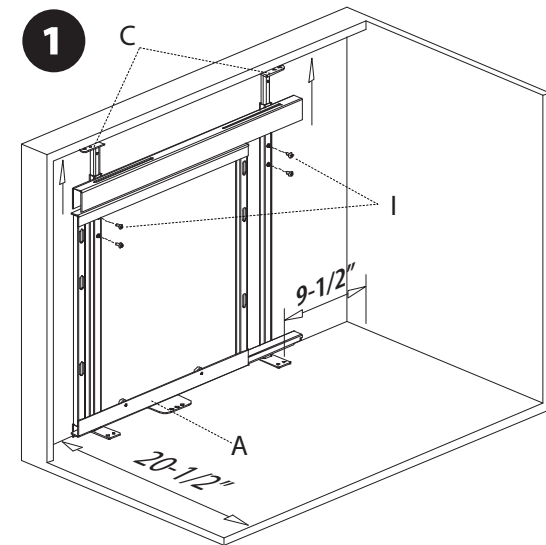
Adjust door as needed. Left/Right adjustment is done by loosening center screw of door base and turning in/out of horizontal end screw. Tilt is adjusted by loosening center door base screw and screwing in/out the left or right screw of base. Up/Down adjustment is done by loosening the door brackets in the side frame and sliding the door brackets up or down.



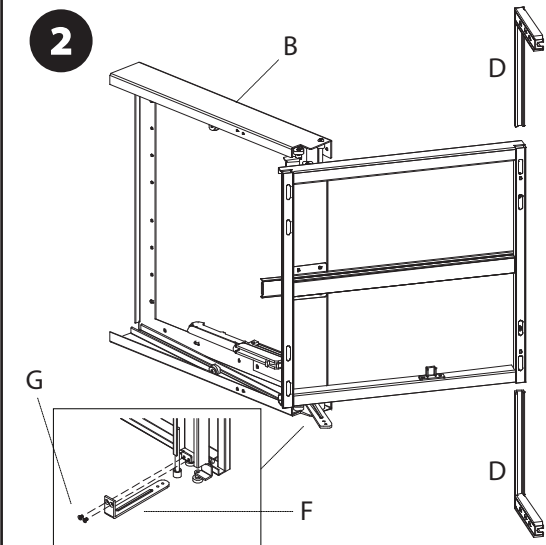
INCLUDED:



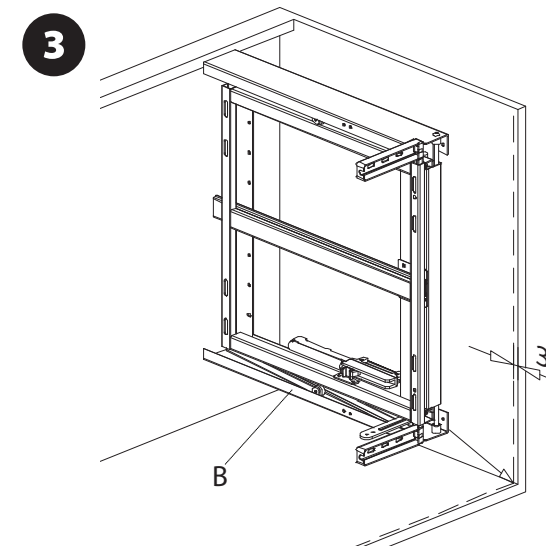
TOOLS NEEDED:



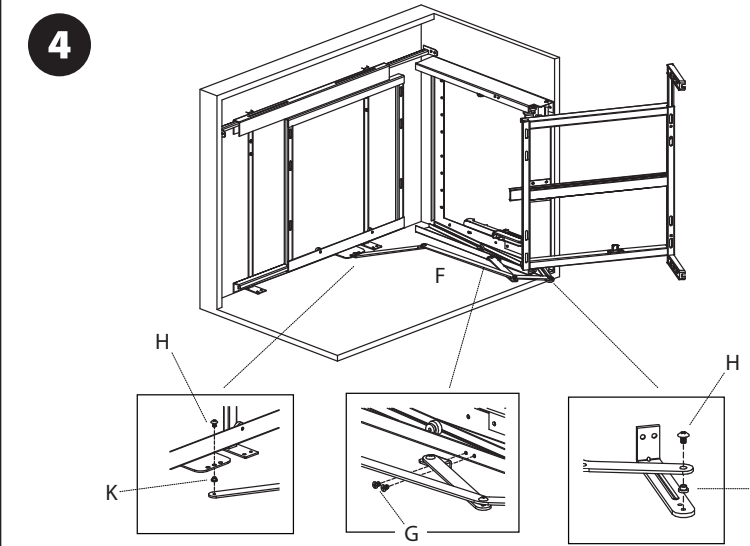
Install back of rear frame at 20-1/2" from rear of face frame with the left edge of mounting foot 9-1/2" from the cabinet side wall for face frame cabinet (8-3/4" for frameless). (See drawing). Secure bottom of rear frame with (4) wood screws provided. The extension arms can be mounted either horizontally or vertically as shown depending on installation. Insert extension arms into slots and loosely secure with (2) 1/4" machine screws per arm. Extend arms until they are firmly against cabinet sides or top of cabinet and tighten machine screws. Secure extension arms into cabinet with (4) wood screws provided.



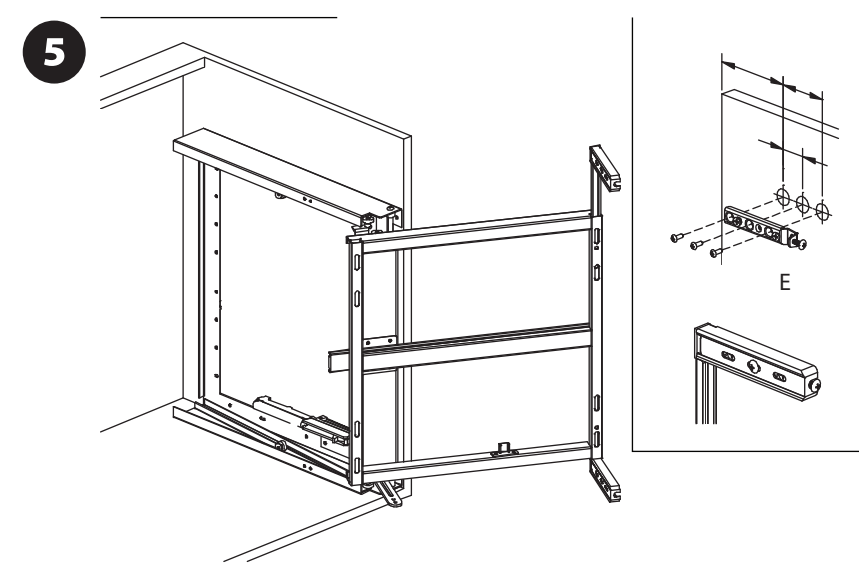
Insert door brackets into side frame and secure with (4) machine screws finger tight at this time. Install L shaped part of swivel arm onto bottom of axle using (2) provided pan head machine screws (see drawing)



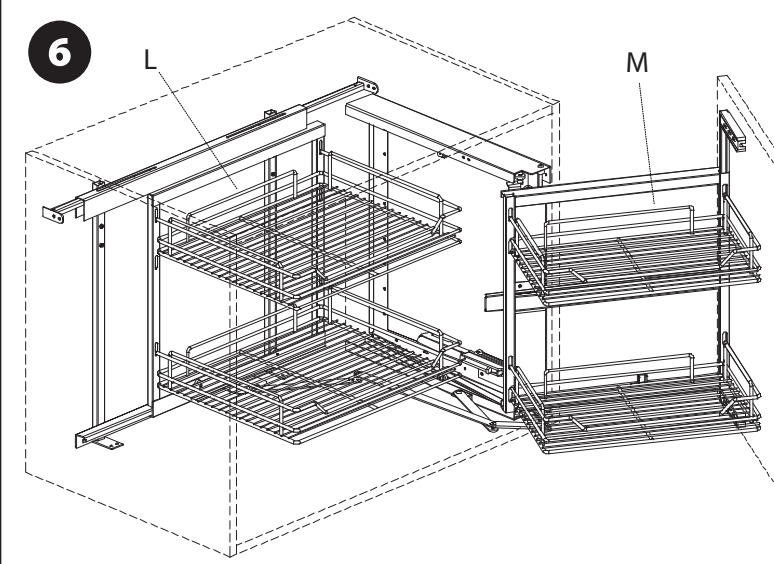
If installing into a face frame cabinet, the side of the cabinet will need to be shimmed so that the shim material is flush with the edge of the face frame. Install the side frame with 3/16" set back from front of cabinet as shown in diagram. Secure with (8) 1/2" wood screws.



Attach the swivel arm to the side frame and rear frame with the (2) provided machine screws and washers.



Install the door bracket base onto the door and attach door with base onto door brackets.



Adjust door as needed. Left/Right adjustment is done by loosening center screw of door base and turning in/out of horizontal end screw. Tilt is adjusted by loosening center door base screw and screwing in/out the left or right screw of base. Up/Down adjustment is done by loosening the door brackets in the side frame and sliding the door brackets up or down.