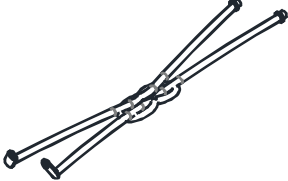
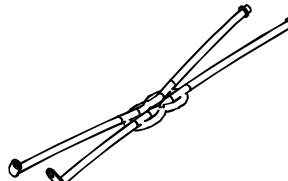
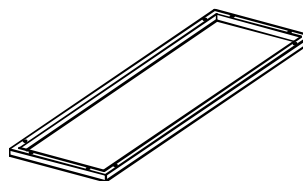
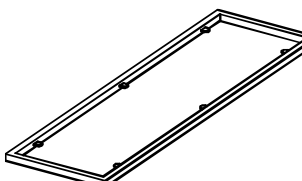
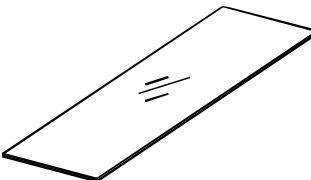
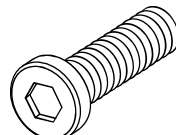

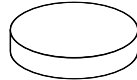
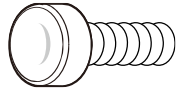

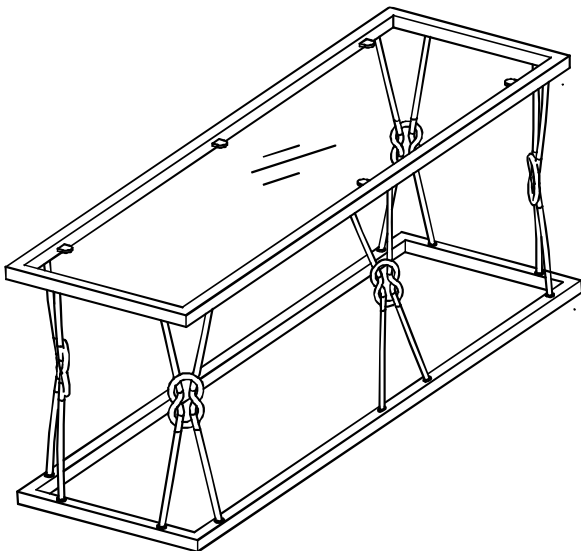


ASSEMBLY INSTRUCTION

SOFA TABLE WITH GLASS TOP

A Side Panel  4pcs	B Middle Side Panel  1pc	C Bottom Frame  1pc	D Top Frame  1pc
E Glass Top  1pc	F Bolt 1/4" x 5/8"  10pcs	G Bolt 1/4" x 1/2"  10pcs	H Glass Pad 8mm  6pcs
I Leveler 10mm  6pcs	J Allen Wrench 1/4"  1pc		

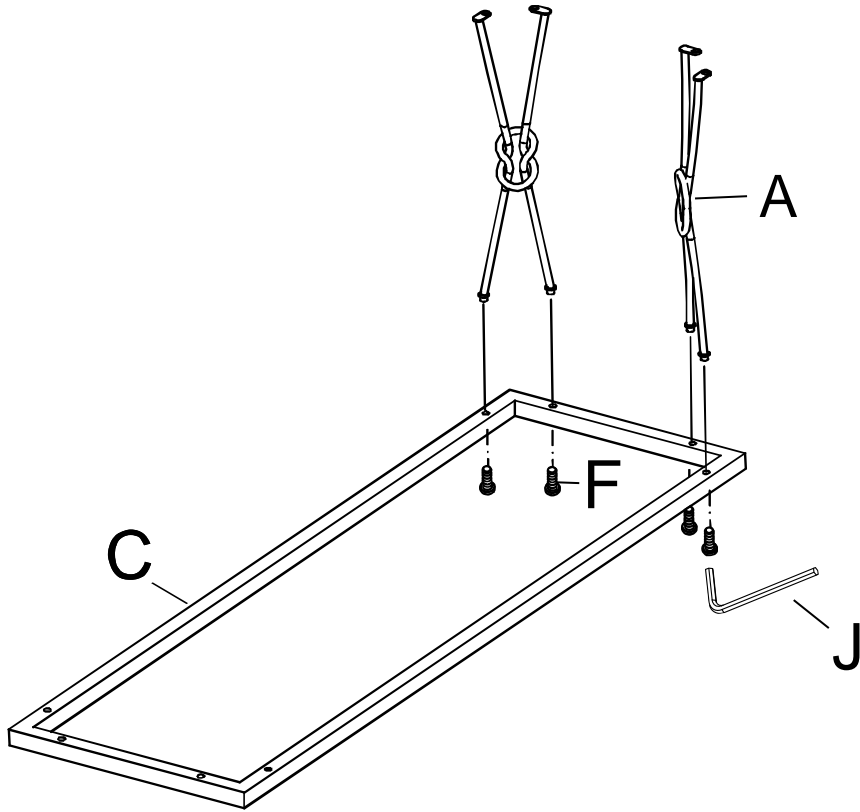


This page lists all the contents included in the box. Please take the time to identify the hardware as well as the individual components to this product. As you unpack and prepare for assembly, place the contents on a carpeted or padded area to protect them from damage.

***** Do not tighten screws & bolts until the entire unit is completely assembled.**

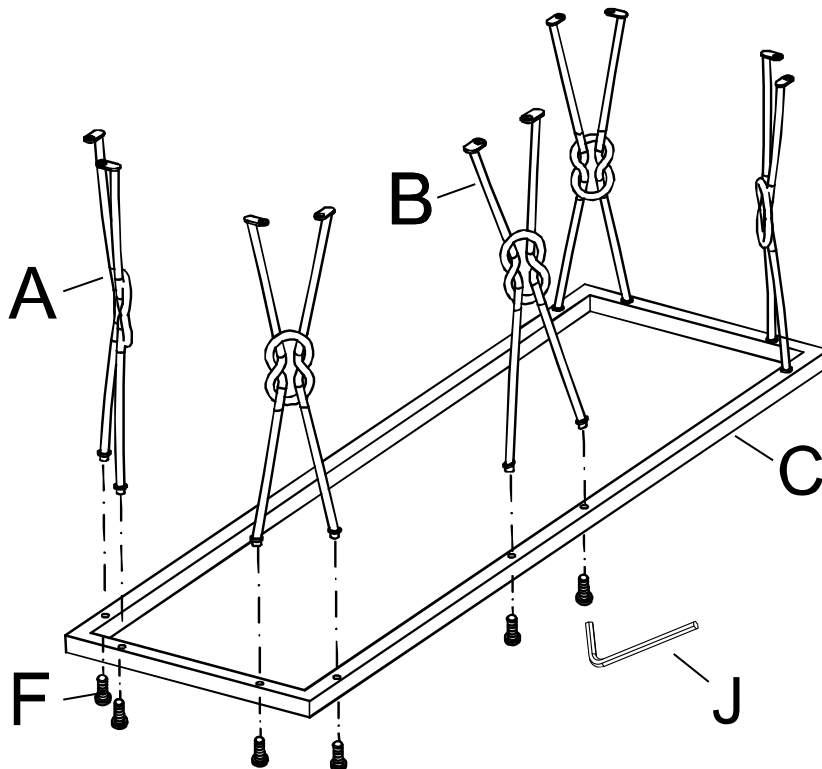
1

Attach Side Panel (A) to Bottom Frame (C) by Bolt (F) and Allen Wrench (J) as shown.

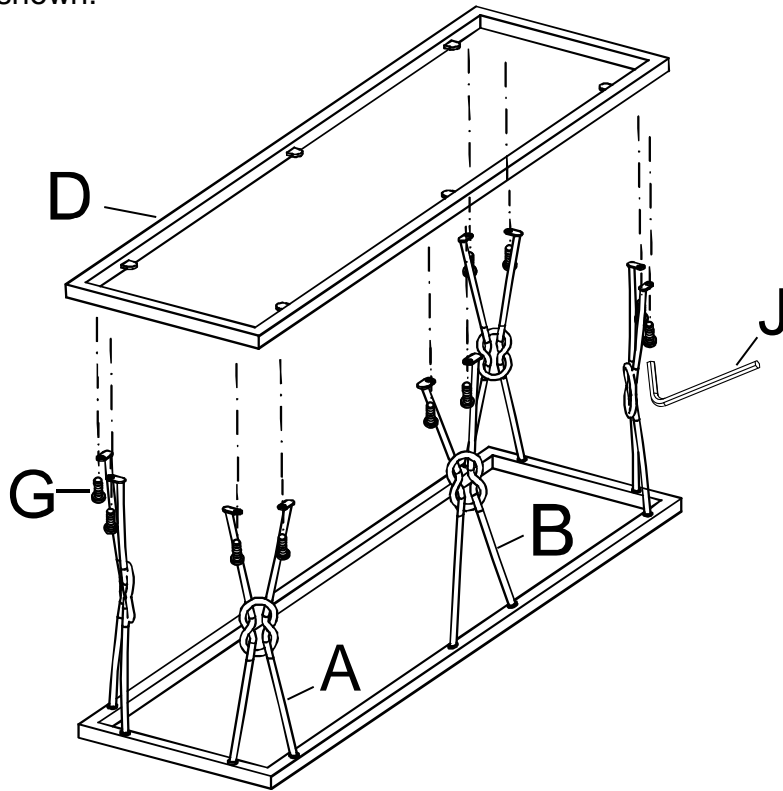


2

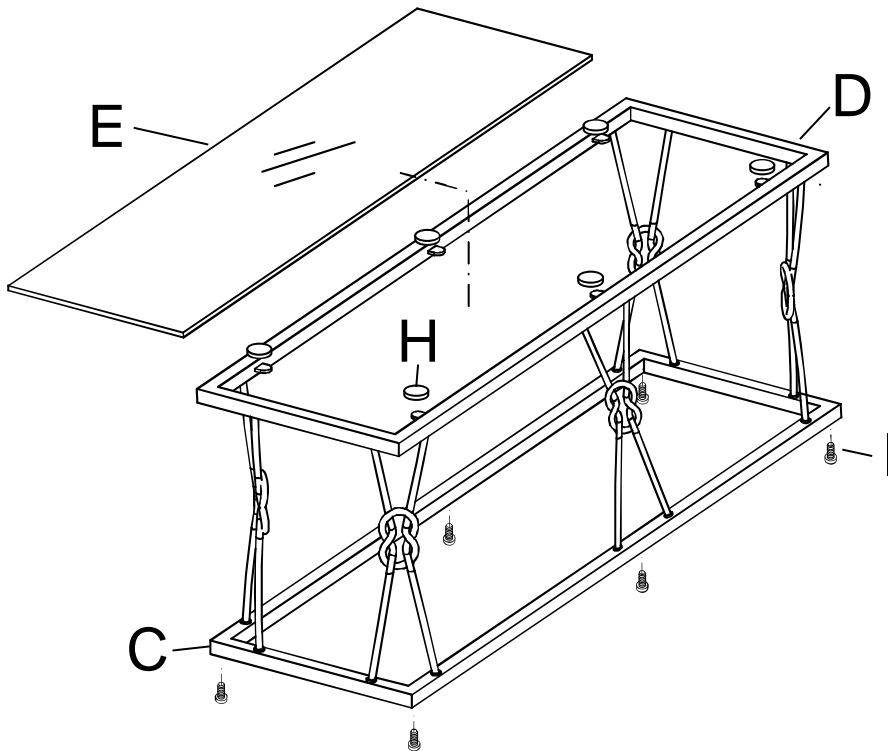
Attach Side Panel (A) and Middle Side Panel (B) to Bottom Frame (C) by Bolt (F) and Allen Wrench (J) as shown.



- 3** Attach Top Frame (D) to Side Panel (A) and Middle Side Panel (B) by Bolt (G) and Allen Wrench (J) as shown.



- 4** Attach Leveler (I) to the bottom of Bottom Frame (C). Attach Glass Pad (H) to Top Frame (D), then place Glass Top (E) as shown.



Cleaning & Care

Treat surface with care. Surface is resistant to scratches but is not scratch resistant. Clean surfaces with a dry or damp soft cloth. Do not use abrasive cleaners. Hardware may loosen over time. Periodically check that all connections are tight.