

## Features

- A single handle controls both on/off activation and temperature setting
- 8" (203 mm) spout height
- 1.2 gpm (4.5 lpm) maximum flow rate at 60 psi (4.14 bar)
- KOHLER® ceramic disc valves exceed industry longevity standards for a lifetime of durable performance
- Metal touch-activated drain with 1-1/4" tailpiece
- Ideal for vessel sink applications
- Coordinates with other products in the Avid collection

## Material

- Premium metal construction for durability and reliability
- KOHLER finishes resist corrosion and tarnishing

## Installation

- Single hole
- Preattached flexible supply lines simplify installation

## Recommended Products/Accessories

- K-23726 Drain treatment
- K-97494 18" towel bar
- K-97495 24" towel bar
- K-97496 24" double towel bar
- K-97498 towel arm
- K-97499 robe hook
- K-97500 double robe hook
- K-97502 Vertical toilet paper holder
- K-97503 Covered toilet paper holder



## Codes/Standards





ASME A112.18.1/CSA B125.1  
NSF/ANSI/CAN 61  
NSF/ANSI/CAN 372  
DOE - Energy Policy Act 1992  
EPA WaterSense®  
California Energy Commission (CEC)  
ADA  
ICC/ANSI A117.1  
CSA B651  
OBC  
NOM Standards  
NOM 012-CONAGUA

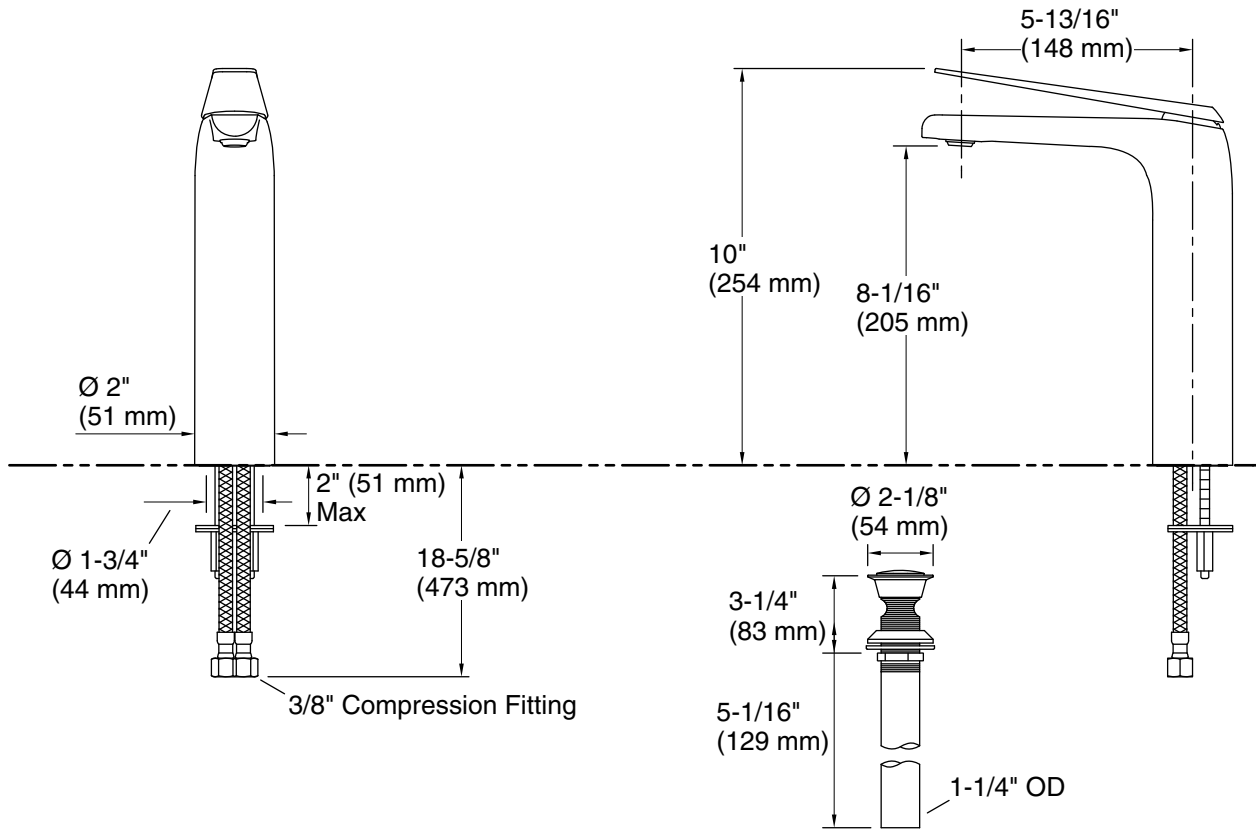
## KOHLER® Faucet Lifetime Limited Warranty

See website for detailed warranty information.

## Available Colors/Finishes

*Color tiles intended for reference only.*

Color	Code	Description
	CP	Polished Chrome
	BN	Vibrant® Brushed Nickel
	BL	Matte Black
	2MB	Vibrant® Brushed Moderne Brass



## Technical Information

All product dimensions are nominal.

Faucet flow rate: 1.2 gal/min (4.5 l/min)

Drain included: Yes

Drain with overflow: Yes

Drain tailpiece included: Yes

## Spout:

Spout reach: 5-13/16" (148 mm)

## Notes

Install this product according to the installation instructions.

ADA compliant for handles only.

ADA, OBC, CSA B651 compliant when installed to the specific requirements of these regulations.