

## Features

- Safeguard® slip-resistant surface provides excellent traction underfoot
- 60"L x 32"W x 16-1/4"H
- Standard 5' x 32" size for alcove installation
- Integral apron for quick installation
- Integral lumbar support

## Material

- KOHLER® enameled cast iron

## Installation

- Alcove
- Integral flange
- Left drain

## Required Products/Accessories

K-T37391 Rotary-turn bath drain trim  
K-T37392 Rotary-turn bath drain trim

or

K-37383 Rough-in cable bath drain, PVC, 30" cable with tubing  
K-78438 30" cable bath drain

## Recommended Products/Accessories

K-1491 Bath/Whirlpool Pillow  
K-1601 Bath/whirlpool footstop, removable  
K-7213 27" Cable Bath Drain  
K-7214 27" Cable Bath Drain  
K-7259 Brass toe tap bath drain  
K-706000-D3 Frameless Sliding Bath Door  
K-706000-L 62" H sliding bath door with 1/4"-thick glass  
K-706004-D3 Frameless Sliding Bath Door  
K-706004-L Frameless Sliding Bath Door  
K-23726 Drain treatment  
K-23725 Cast iron cleaner

**ADA**

## Codes/Standards

ASME A112.19.1/CSA B45.2  
ASTM F462  
ADA  
ICC/ANSI A117.1

## KOHLER® Enameled Cast Iron Bath and Shower Base Lifetime Limited Warranty

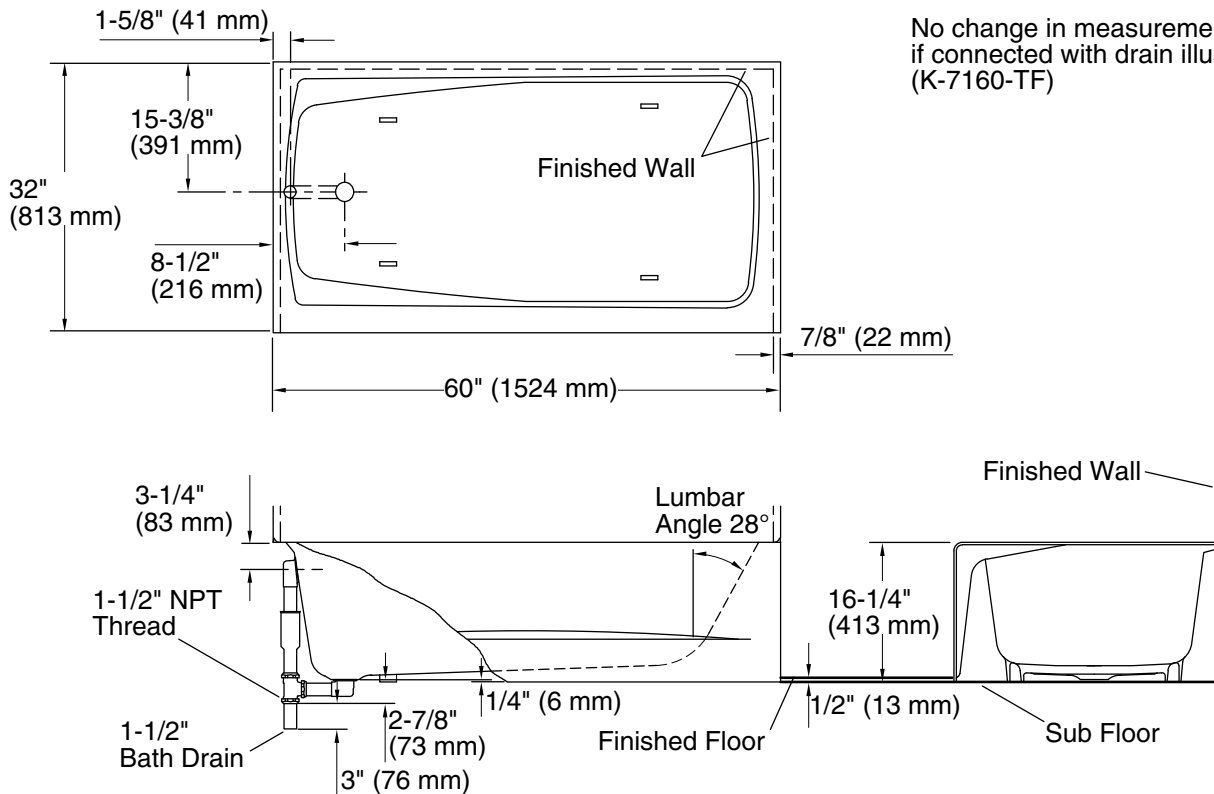
See website for detailed warranty information.

## Available Colors/Finishes

*Color tiles intended for reference only.*

### Color Code Description

	0	White
---	---	-------



No change in measurements if connected with drain illustrated. (K-7160-TF)

## Technical Information

All product dimensions are nominal.

Drain location:	Left
Basin area, bottom:	46" x 20" (1168 mm x 508 mm)
Basin area, top:	54" x 24" (1372 mm x 610 mm)
Weight:	351 lbs (159.2 kg)
Minimum floor load:	56 lbs/ft <sup>2</sup> (273.4 kg/m <sup>2</sup> )
Water depth:	10-7/8" (276 mm)
Water capacity:	45 gal (170.3 L)
Minimum flat for door:	1-5/16" (33 mm)

## Notes

Measure your actual product for rough-in details.

Install this product according to the installation instructions.

The hot water supply should be 70% of the capacity of the bath or greater. Installations will vary.

Measure your actual product for roughing-in details.

Hot water supply should be 70% of capacity or greater. Installations will vary.

ADA compliant when installed to the specific requirements of these regulations.