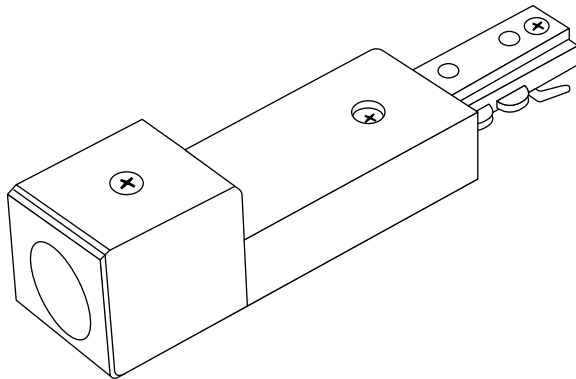
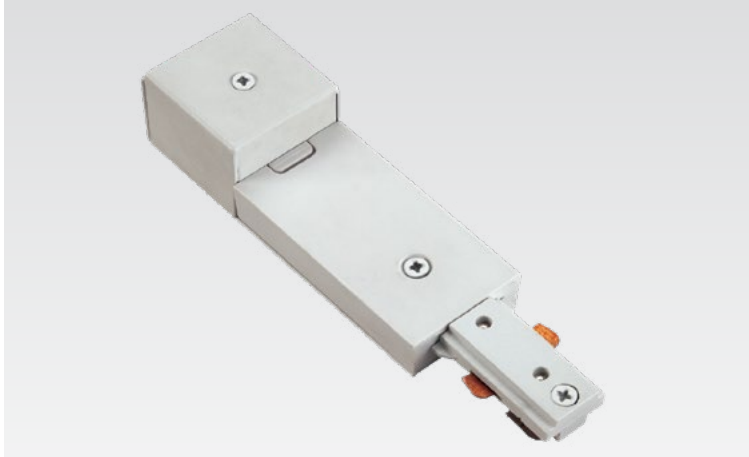


TRACK LIVE END CONDUIT FEED



PRODUCT DETAILS

No.	1617-XX
Product Color	Black,White
Size (LxWxH)	5 3/4" x 1 7/16" x 1 3/8"
Weight	0.30 lbs



SPECIFICATIONS

Construction	Solid 12-gauge conductor
Mounting	Provides power from end of track when using conduit. Side and back K/O.
Compatibility	Eurofase or H-style track
Electrical Rating	20A, 120V, 60Hz
Circuits	Single circuit, 3 wires

TECHNICAL DETAILS

Location Listing	Dry, Indoor use only
Electrical Approval	
Warranty	

ORDERING OPTIONS

ITEM NUMBER	ITEM NUMBER	FINISH
	1617-01	Black
	1617-02	White

PROJECT INFORMATION

Job Name: Date: Type:

Comments: