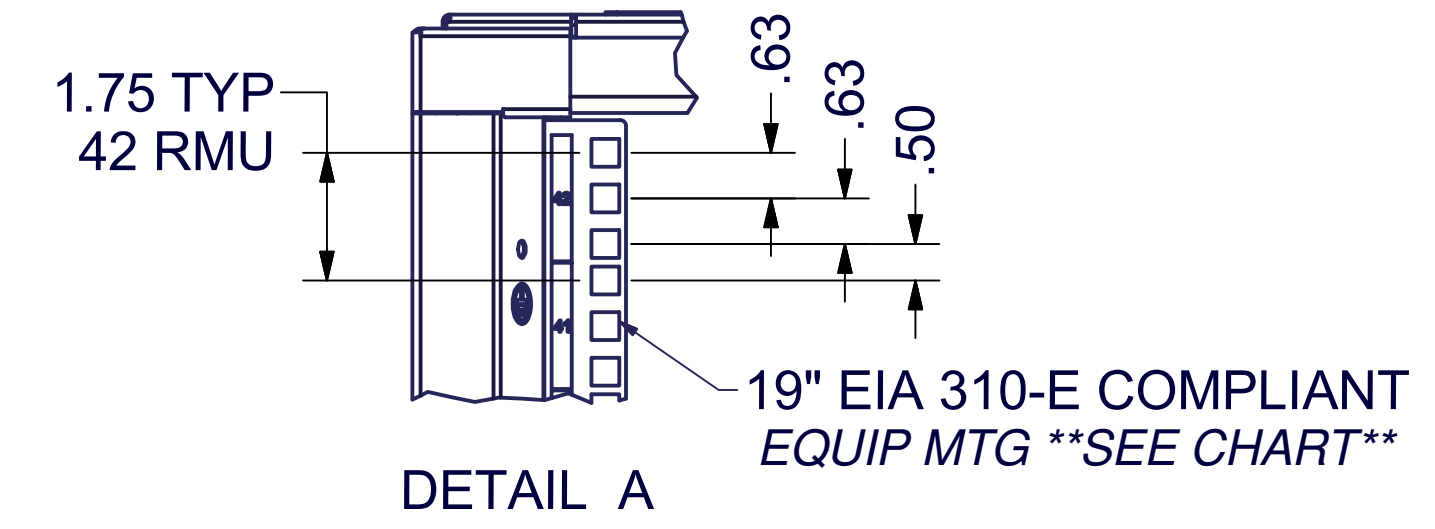
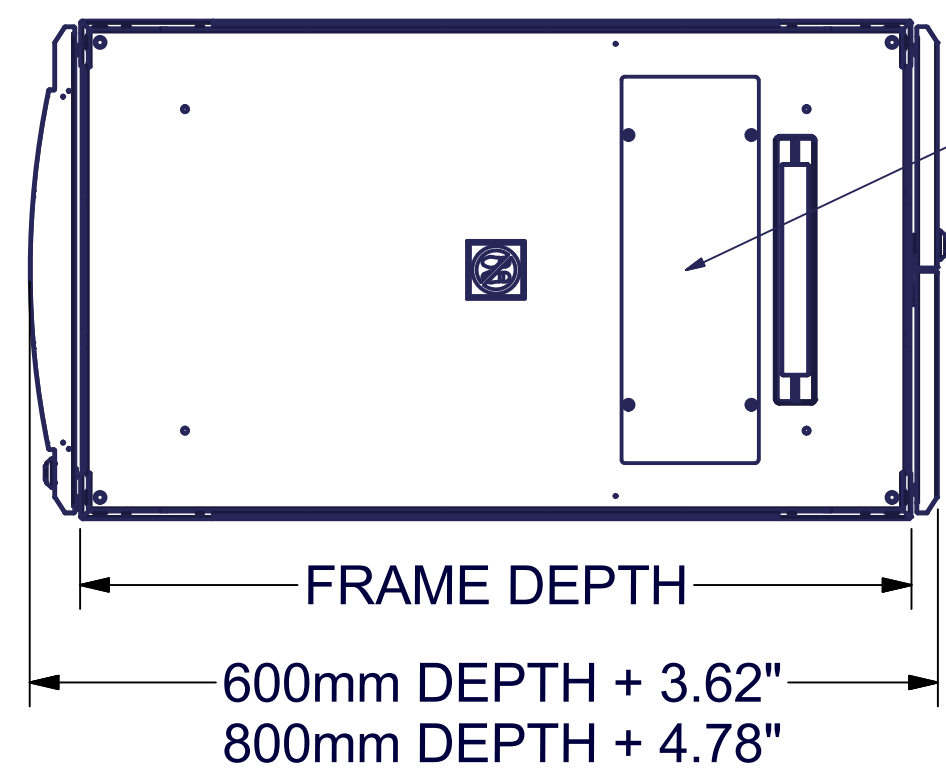


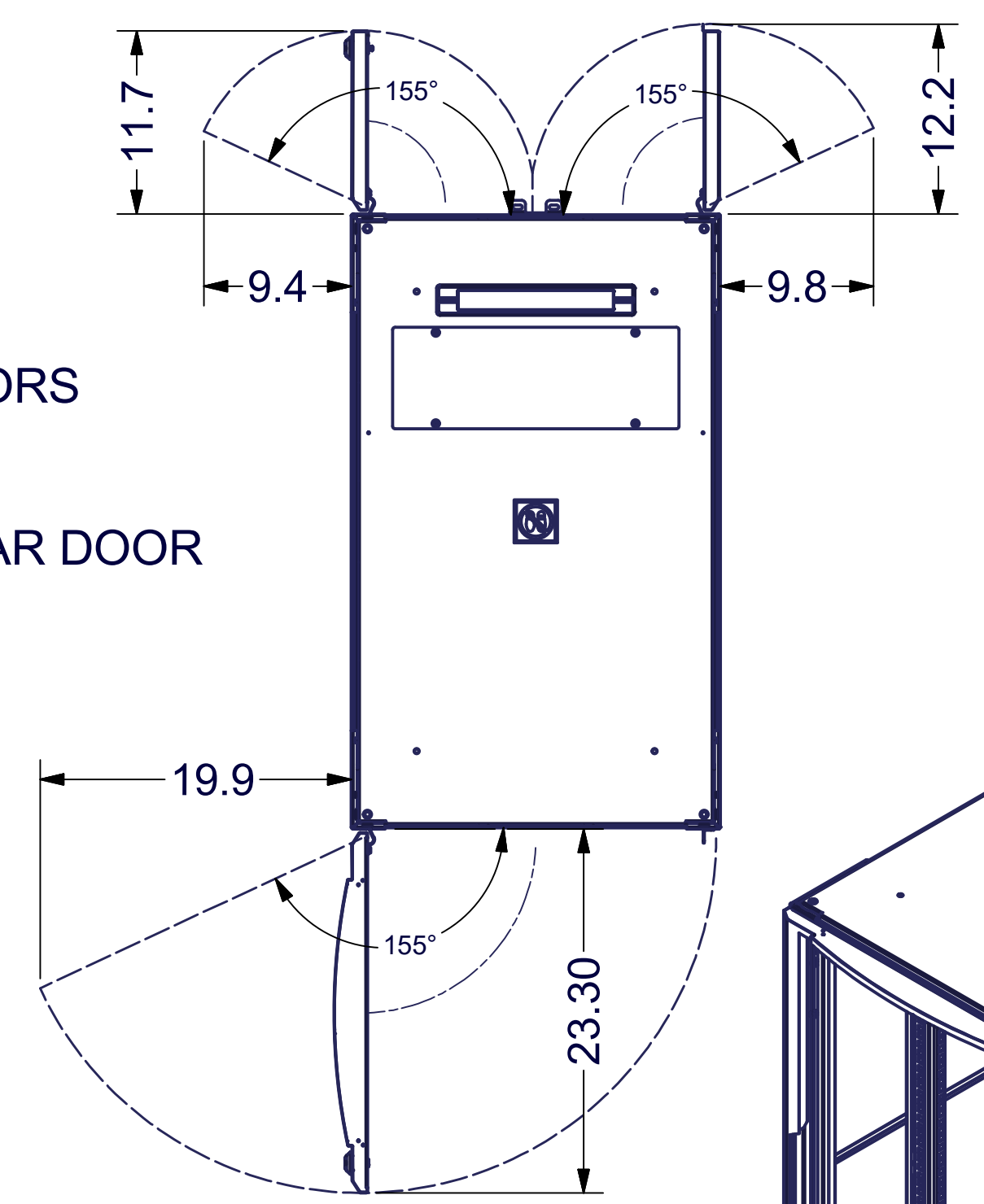
REVISION HISTORY		
REV	DATE	APPROVED
0	9/18/18	CND
1	3/31/20	JBM



TOP VIEW



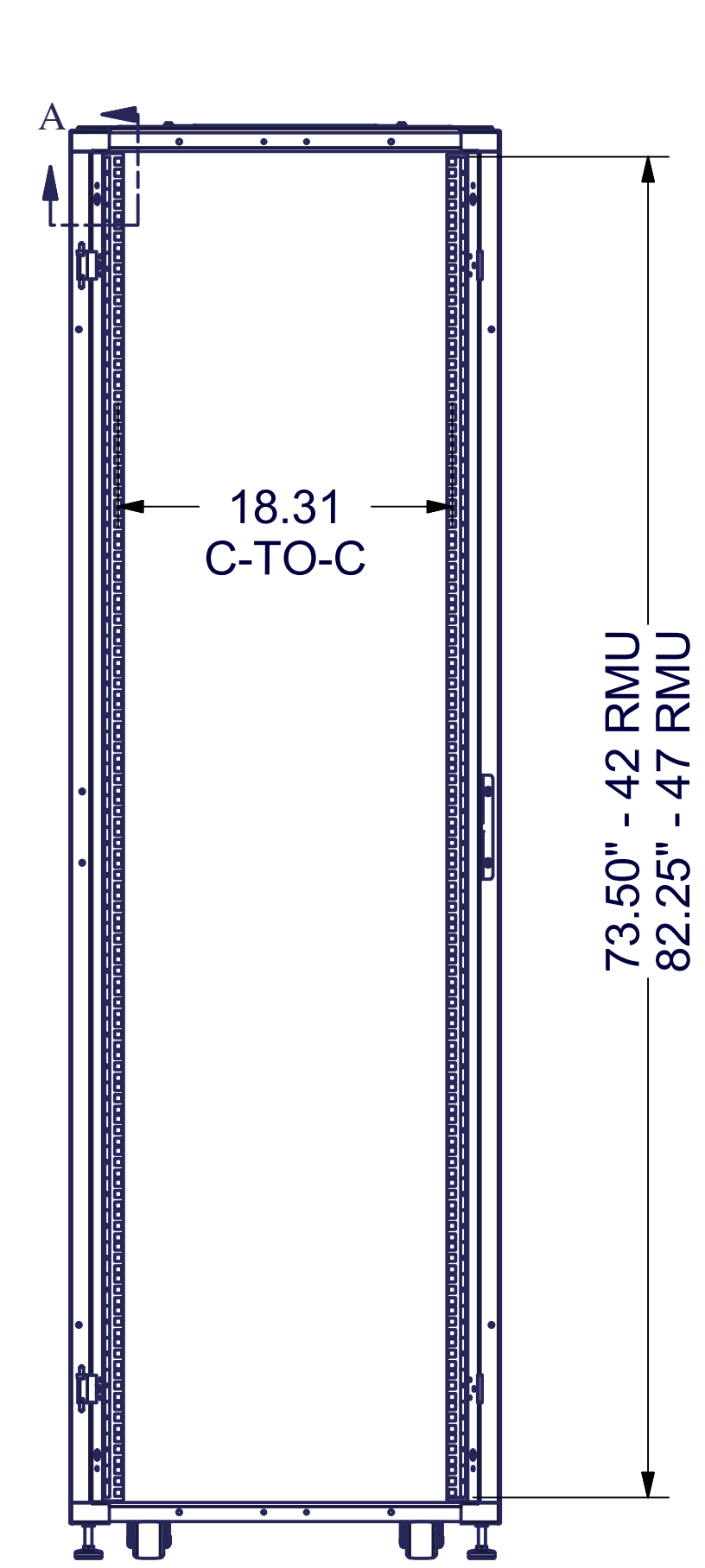
REMOVABLE COVER FOR CABLE PASS THRU



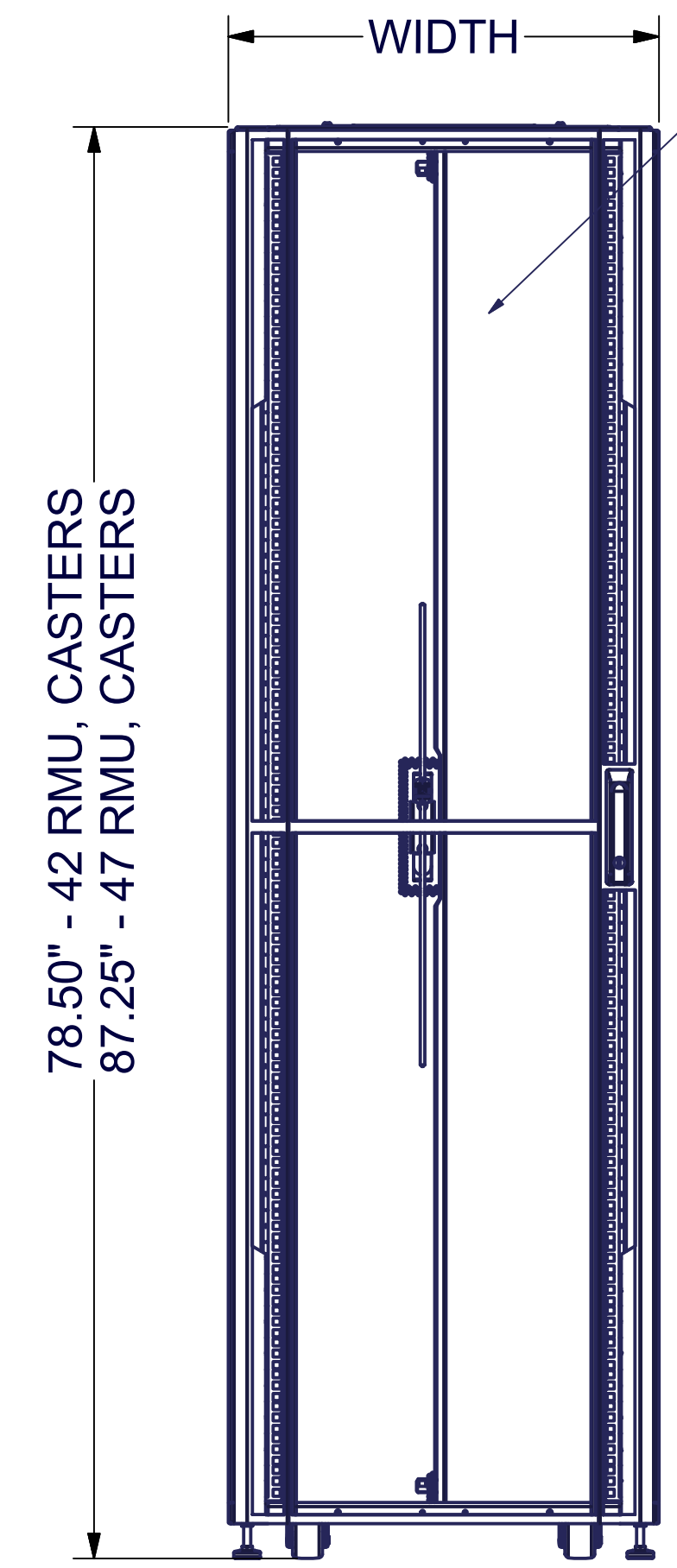
SPLIT MESH REAR DOORS 600mm WIDE

FULL WIDTH MESH REAR DOOR 800mm WIDE

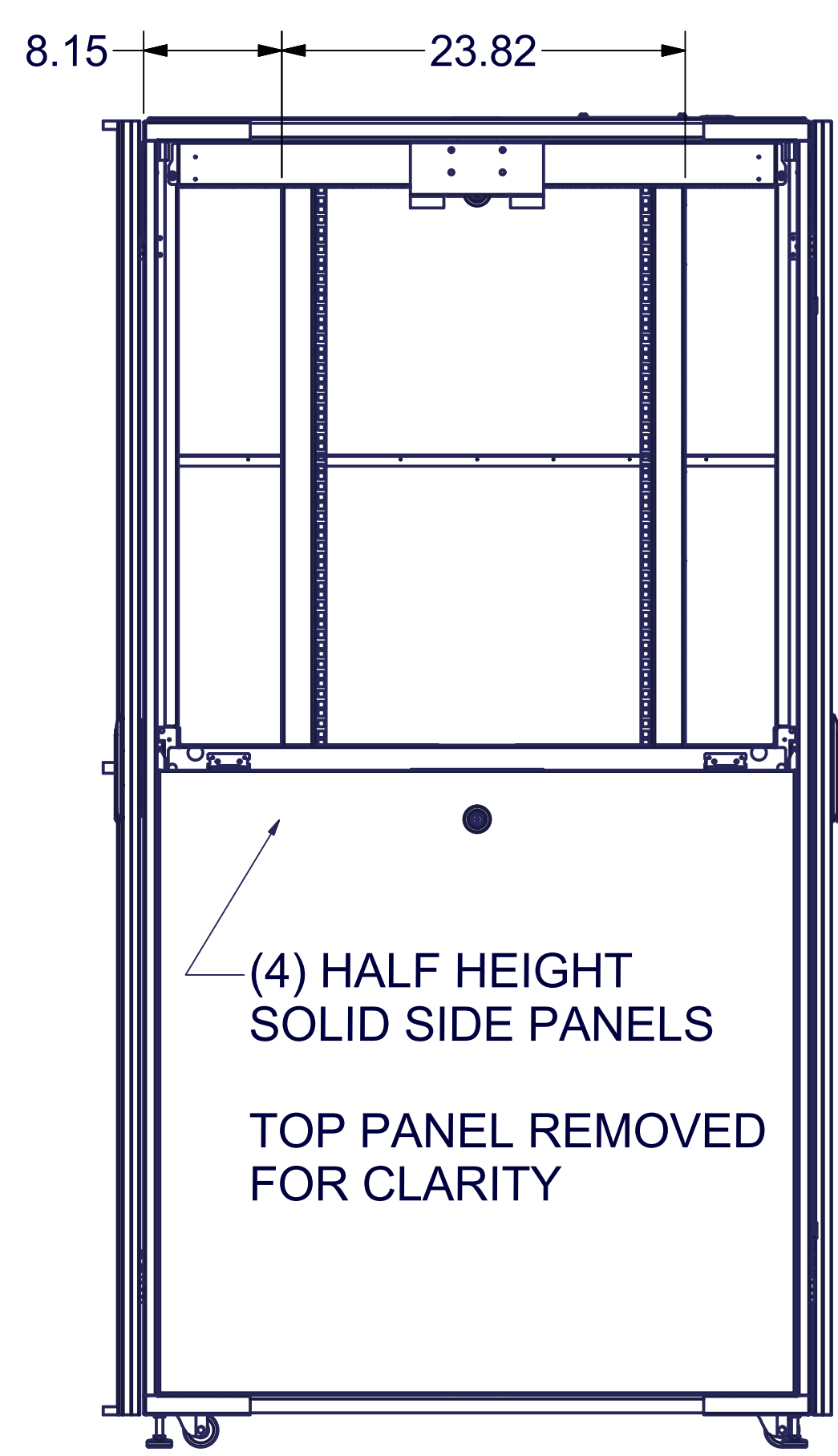
FULL WIDTH MESH FRONT DOOR ALL WIDTHS



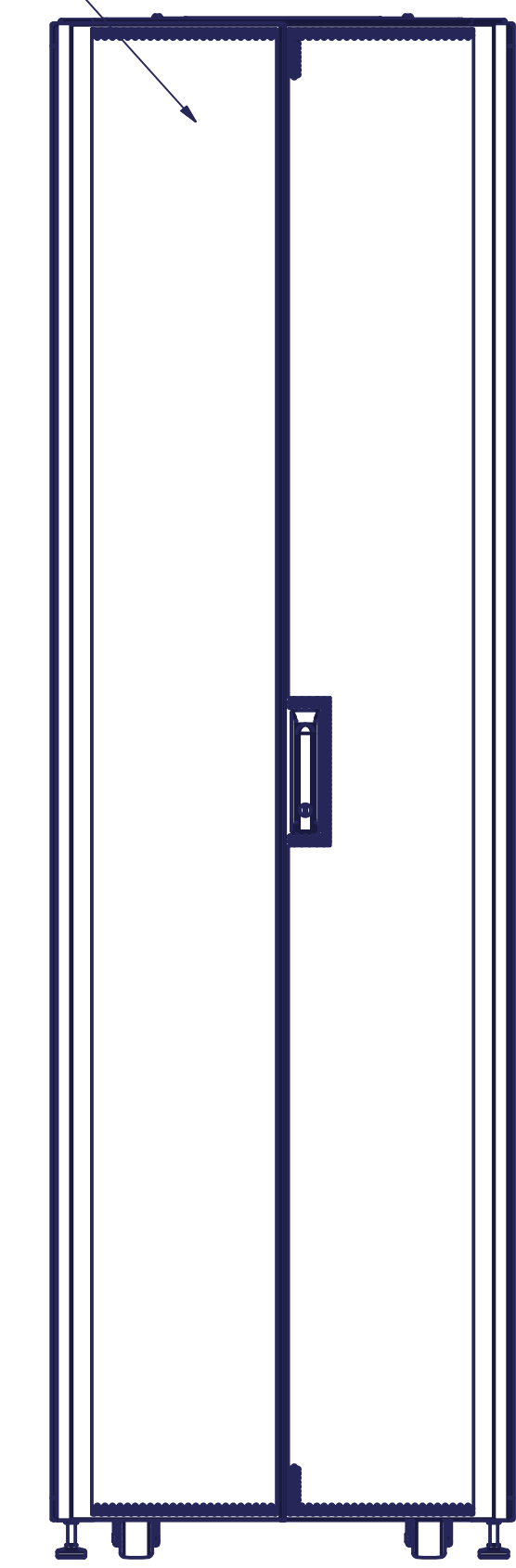
FRONT VIEW DOORS NOT SHOWN



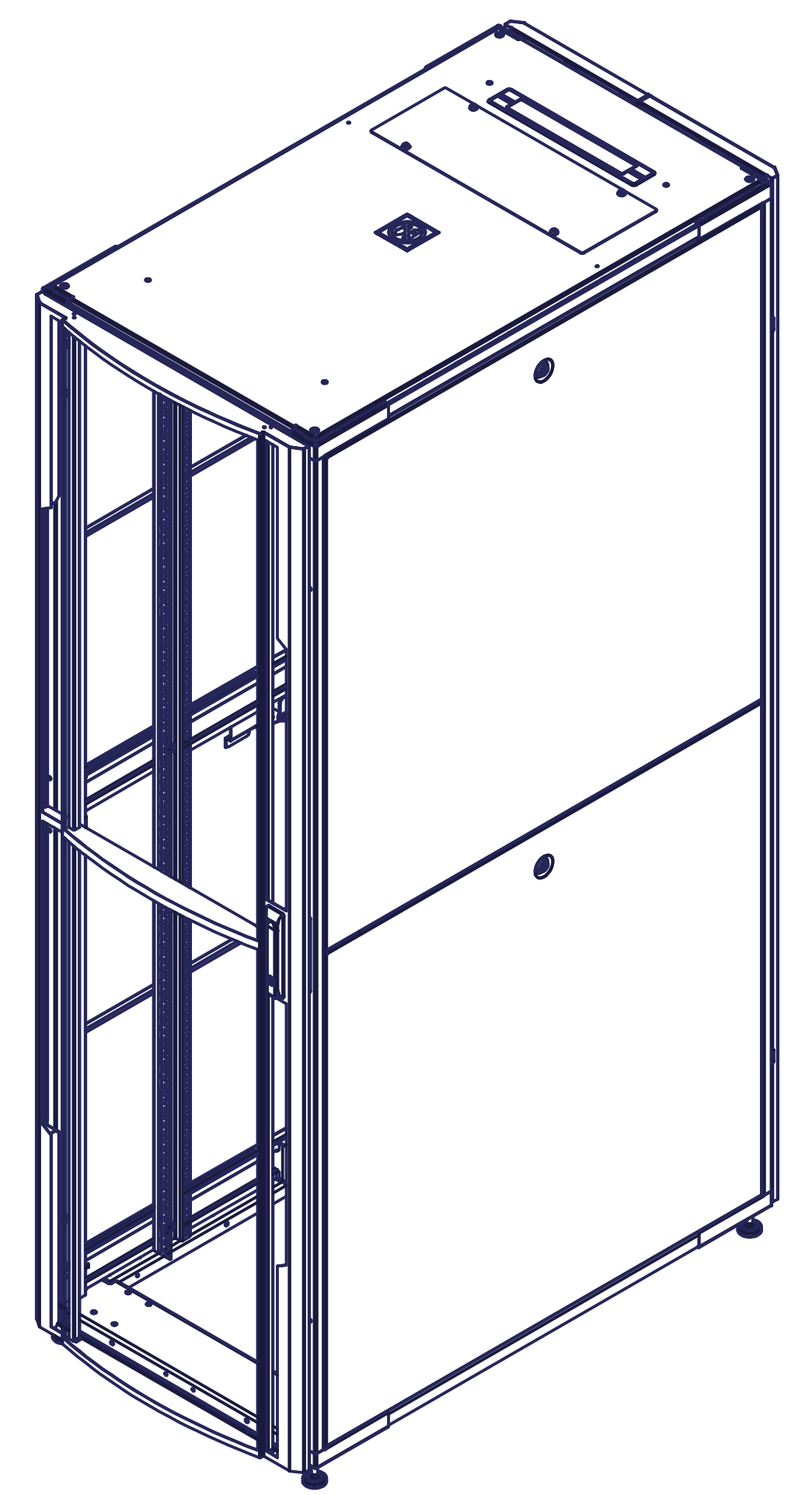
FRONT VIEW



SIDE VIEW



REAR VIEW



SPECIFICATIONS:

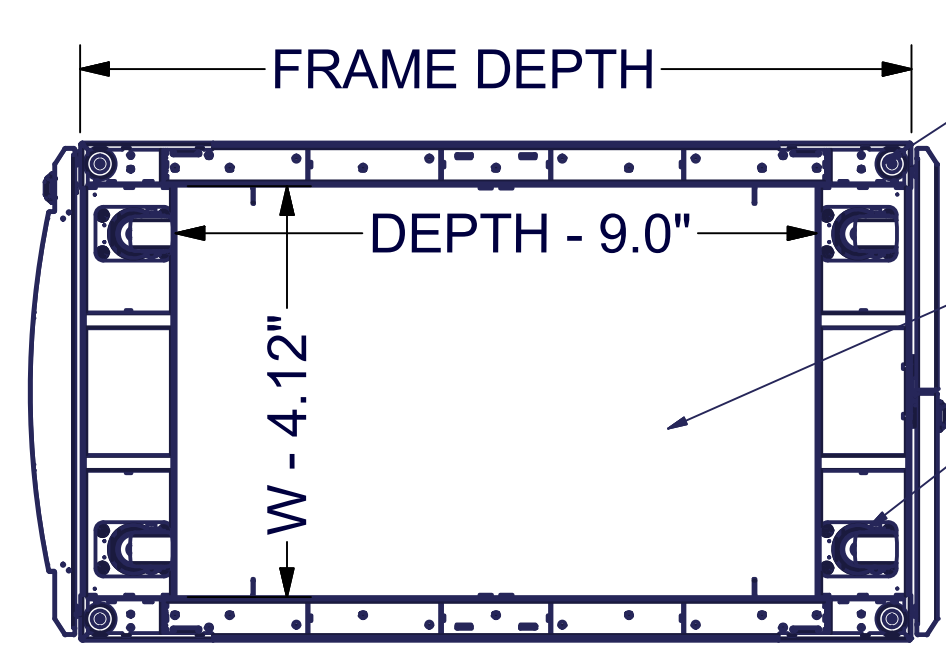
WEIGHT CAPACITY : 3080lbs (1400kg)

COLOR : DURABLE TEXTURED BLACK POWDER COATING

CERTIFICATIONS : UL 2416 STANDARD FOR I.T. & COMMUNICATIONS EQ., ENCLOSURES.

CONSTRUCTION : 2 PAIR MOUNTING RAILS, #13 GA. C.R.S. FRAME, #11 & #16 GA. C.R.S. DOORS & SIDE PANELS #22 GA. C.R.S. TOP PANEL #18 GA. C.R.S.

HARDWARE : PACKAGE OF QTY-50; M6 SCREWS AND CAGE NUTS (INSTALLATION TOOL)



BOTTOM VIEW

(4 INCLUDED) INDEPENDENTLY ADJUSTABLE LEVELING GLIDES

OPEN BOTTOM

(4 INCLUDED) CASTERS

L SERIES ENCLOSURES				
PART NUMBER	RMU	WIDTH	FRAME DEPTH	EQUIP MNTG.
GL790L-2442MSS	42	23.62" (600mm)	39.37" (1000mm)	3/8" SQUARE CAGE NUT
GL790L-2448MSS	42	23.62" (600mm)	47.24" (1200mm)	3/8" SQUARE CAGE NUT
GL790L-3242MSS	42	31.5"W (800mm)	39.37" (1000mm)	3/8" SQUARE CAGE NUT
GL790L-3248MSS	42	31.5"W (800mm)	47.24" (1200mm)	3/8" SQUARE CAGE NUT
GL910L-2442MSS	47	23.62" (600mm)	39.37" (1000mm)	3/8" SQUARE CAGE NUT
GL910L-2448MSS	47	23.62" (600mm)	47.24" (1200mm)	3/8" SQUARE CAGE NUT
GL910L-3248MSS	47	31.5"W (800mm)	47.24" (1200mm)	3/8" SQUARE CAGE NUT



INTERPRET DRAWING PER ASME Y14.5M-1994
DIMENSIONAL LIMITS APPLY AFTER APPLICATION OF FINISH
DRAWING NOT TO SCALE
TOLERANCE UNLESS OTHERWISE NOTED:
ANGULAR +/- 1°
.XXXX +/- .010
.XXX +/- .015
.XX +/- .030
.X FOR REF. ONLY
UNLESS OTHERWISE SPECIFIED ALL DIMENSIONS ARE IN INCHES

NOTICE:
 Use of this document is subject to a confidentiality and nondisclosure agreement with Great Lakes Case & Cabinet Co., Inc. (GLCC) and may not be reproduced, disclosed or utilized in whole or in part without prior written authorization from GLCC.

PART NUMBER: GL790L-2442MSS
MATERIAL TYPE: CRS
MATERIAL GAUGE:
FINISH: POWDER
DRAWN DATE
CHECKED & APP. DATE 9/18/18

TITLE: 79"H x 24"W x 42"D "L" SERIES ENCLOSURE CONFIGURATION
GREAT LAKES CASE & CABINET CO., INC. P.O. BOX 551 EDINBORO, PA 16412 PHONE (814) 734-7303 FAX (814) 734-3907 E-MAIL glcc@greatcabinets.com
DWG NO: GL L Series
REV: -
SHEET: 1 OF 1