

# SONANCE

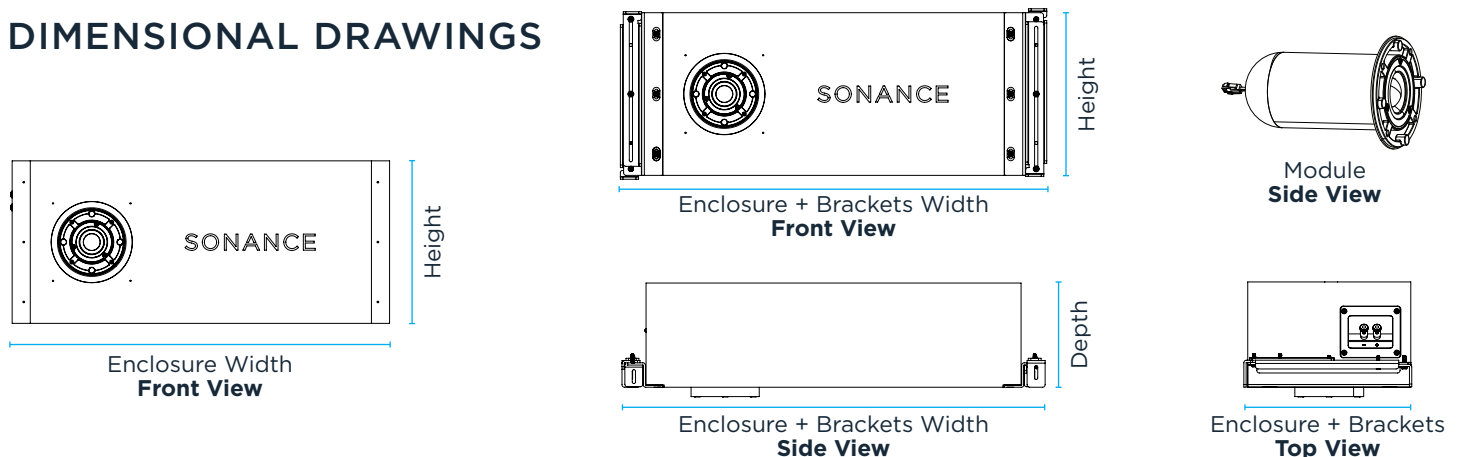
## SMALL APERTURE DATA SHEET

### SA4-66 SPEAKER ENCLOSURE & MODULE

#### TECHNICAL SPECIFICATIONS

	<b>SA4-66 SPEAKER ENCLOSURE AND SPEAKER MODULE</b>
<b>UOM</b>	Each
<b>Wide Bandwidth Driver</b>	2.0" (50mm) Aluminum cone, rubber surround
<b>Woofers</b>	6.5" (165mm) Aluminum cone, rubber surround
<b>Frequency Response</b>	45Hz - 22kHz +/-3dB
<b>Frequency Range</b>	35Hz-25kHz +/-10dB
<b>Impedance</b>	8 ohms nominal; 6 ohms minimum
<b>Power Handling (RMS)</b>	5 watts minimum; 125 watts maximum
<b>Sensitivity (2.83V/1m)</b>	82dB SPL
<b>Enclosure Only (WxHxD)</b>	22.95" x 10.2" x 6.38" (583mm x 258.5mm x 162mm)
<b>Enclosure With Bracket (WxHxD)</b>	25.9" x 10.2" x 6.38" (658mm x 258.5mm x 162mm)
<b>Minimum Installation Width</b>	10.2" (258.5mm)
<b>Maximum Installation Width</b>	25.5" (649.1mm)
<b>Flush Round Grille (Dia)</b>	4.02" (102.0mm)
<b>Flush Square Grille (HxW)</b>	4.02" x 4.02" (102.0mm x 102.0mm)
<b>Micro Trim Round Grille (Dia)</b>	4.62" (117.4mm)
<b>Micro Trim Square Grille (HxW)</b>	4.62" X 4.62 (117.4mm x 117.4mm)
<b>Enclosure Weight</b>	19.73 lbs (8.95kg)
<b>Module Weight</b>	0.80 lbs (0.35kg)
<b>Kit Shipping Weight*</b>	34.17lbs (15.5kg)

#### DIMENSIONAL DRAWINGS



\* SA4-66 Complete Kit ships with installation accessories for Micro Trim applications into drywall or solid surfaces. For complete kit, order sku 93729

**LIMITED LIFETIME WARRANTY** Sonance warrants to the first end-user purchaser that this Sonance-brand product ("Product"), when purchased from an authorized Sonance Dealer/Distributor, will be free from defective workmanship and materials for the life of the Product, except for the grille, which is warranted for five (5) years. Sonance will at its option and expense either repair the defect or replace the Product with a new or remanufactured Product or a reasonable equivalent. ©2025 Sonance. All rights reserved. Sonance is a registered trademark of Dana Innovations. Due to continuous product improvement, all features and specifications are subject to change without notice. For the latest Sonance product specification information visit our website at [www.sonance.com](http://www.sonance.com).

991 Calle Amanecer • San Clemente, CA 92673 USA • Phone: (949) 492-7777 • Fax: (949) 361-5151 • Technical Support: (949) 492-7777

03.10.2025