

8 7 6 5 4 3 2 1

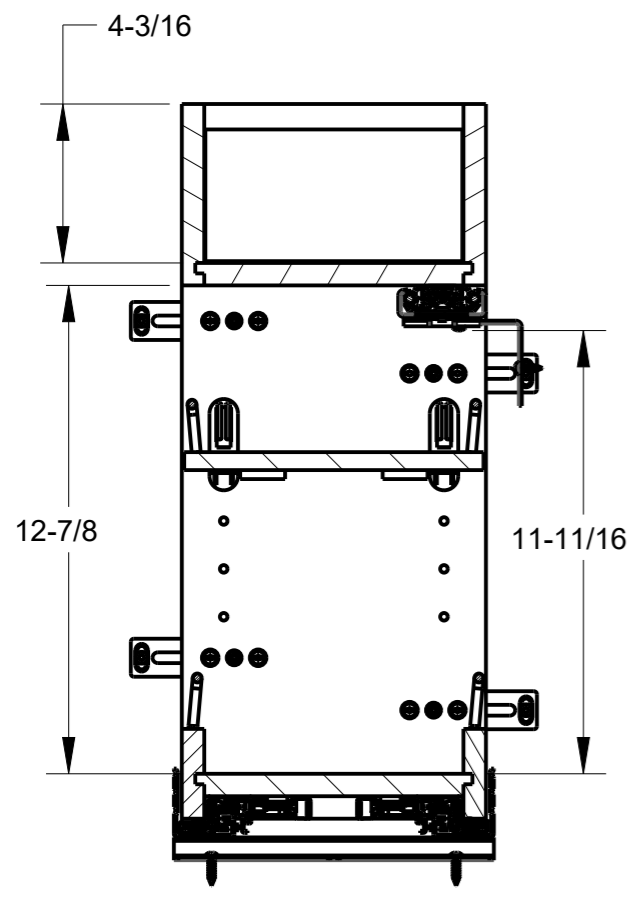
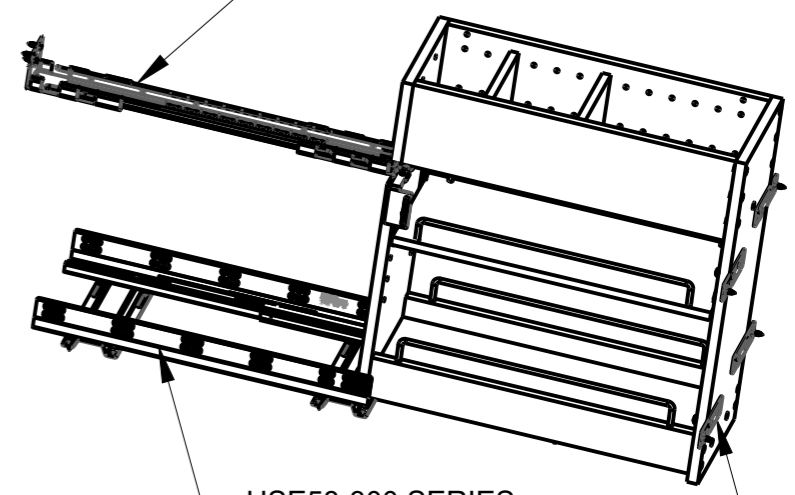
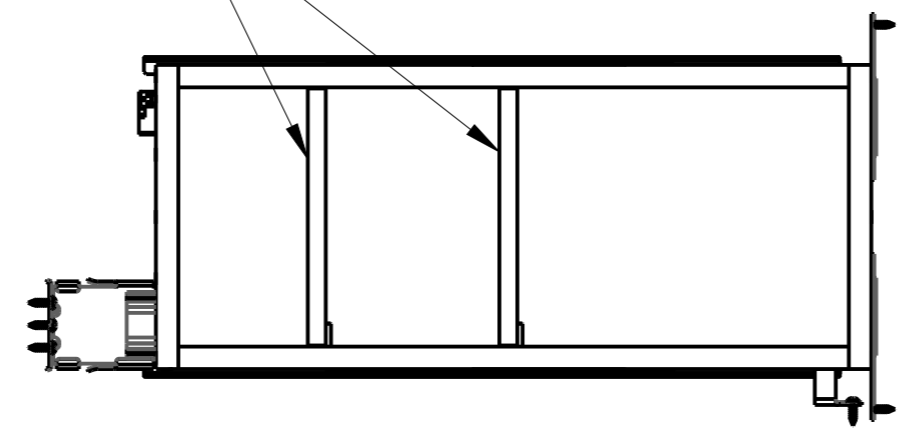
F
E
D
C
B

ADJUSTABLE
PARTITION
PANELS

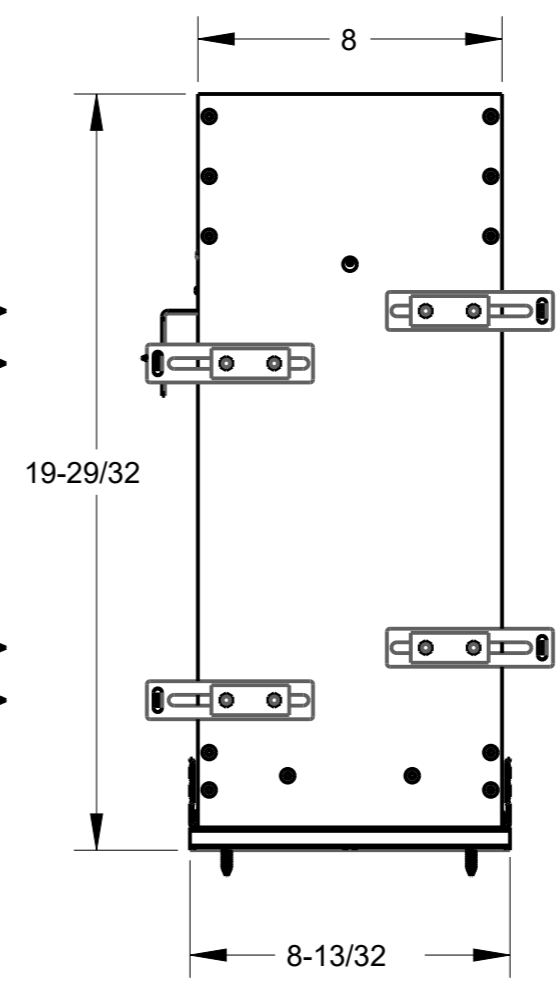
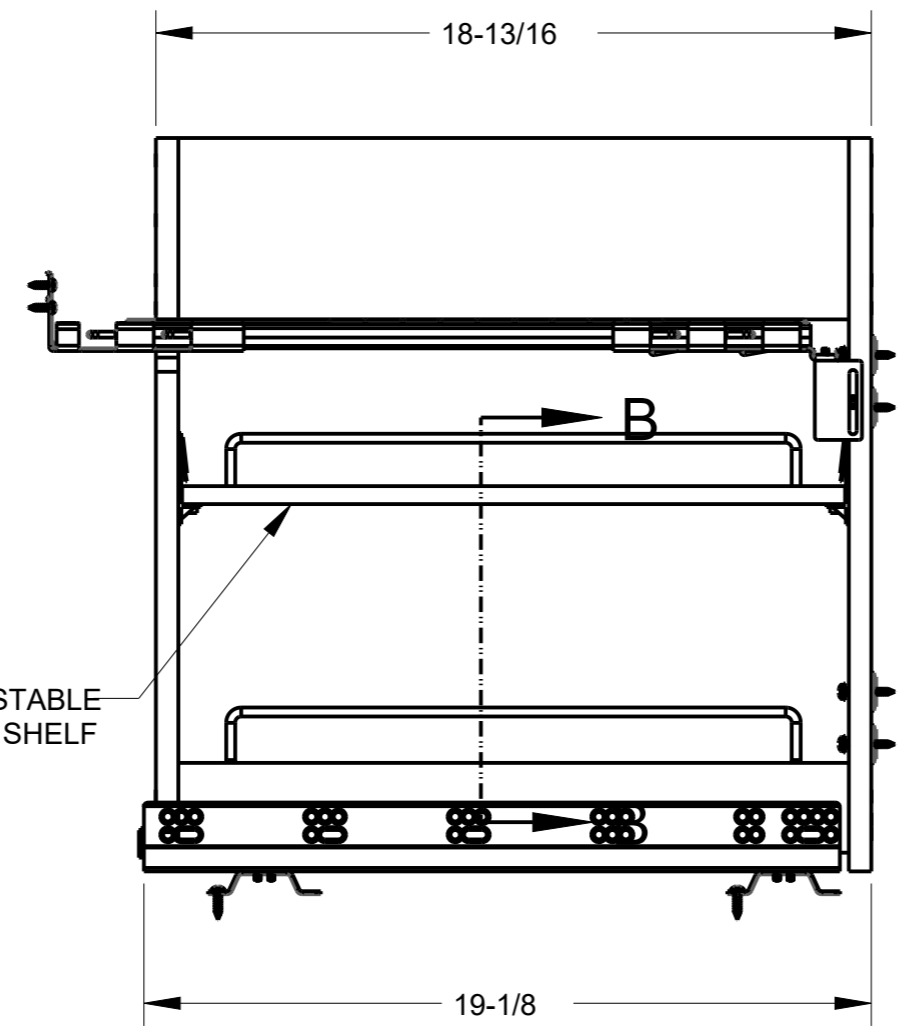
"NO WIGGLE"
TOP SUPPORT MECHANISM
(US PATENT 10,251,480)

USE58-300 SERIES
RUNNER MECHANISM

6 WAY DOOR MOUNTING
ADJUSTABLE SYSTEM
(US PATENT 10,028,581)



SECTION B-B



HARDWARE RESOURCES RESERVES THE RIGHT TO CHANGE SPECIFICATIONS WITHOUT NOTICE. IN CASE OF A DISCREPANCY, ACTUAL PART GEOMETRY SUPERSEDES THIS DOCUMENT.

THE INFORMATION CONTAINED WITHIN THIS DRAWING IS THE SOLE PROPERTY OF HARDWARE RESOURCES INC. ANY REPRODUCTION IN PART OR WHOLE WITHOUT WRITTEN PERMISSION OF HARDWARE RESOURCES INC. IS PROHIBITED.

DOCUMENT STATUS Released	
UNLESS OTHERWISE SPECIFIED DIMENSIONS ARE IN INCHES (IN)	
MATERIAL BIRCH PLYWOOD	FINISH CLEAR UV
THIRD ANGLE PROJECTION	DATE 15JUN2017

DESCRIPTION		
VANITY ORGANIZER SYSTEM, BASE PULLOUT MODULE		
DRAWING NUMBER VBPO8-SC		REV B
SIZE A3	SCALE 19:96	SHEET 1 / 1

8 7 6 5 4 3 2 1

F
E
D
C
B
A