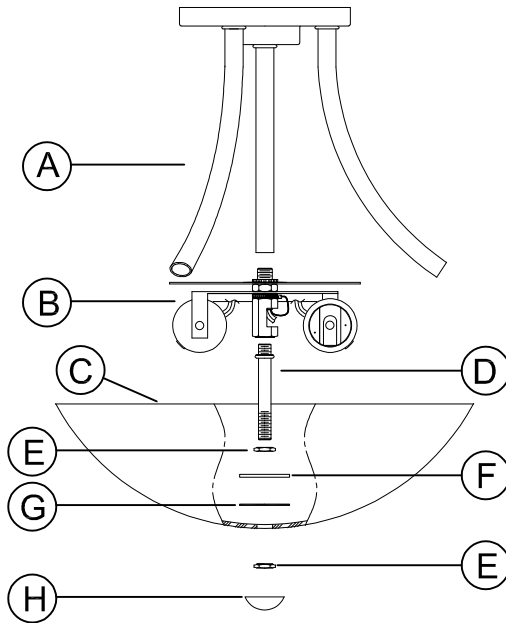
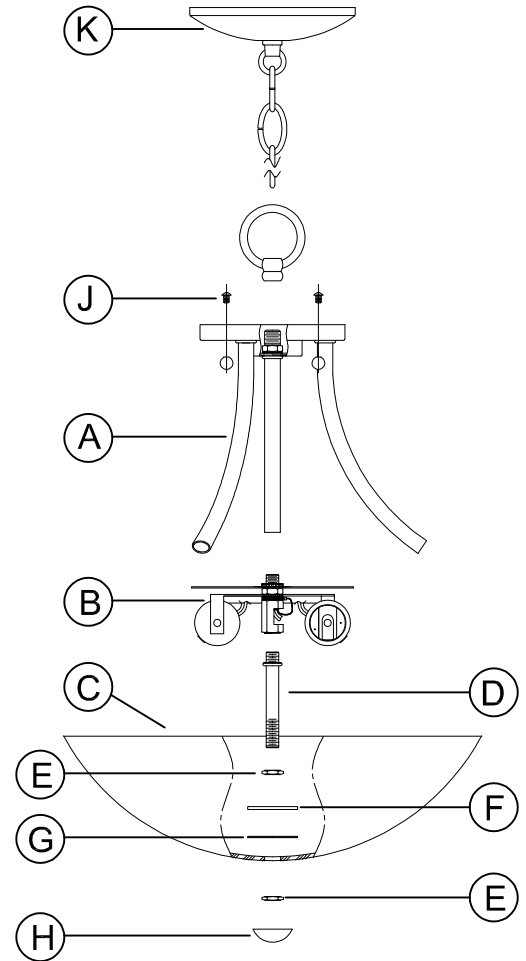


PACKAGE CONTENTS

PART	DESCRIPTION	QUANTITY
A	Fixture	1
B	Socket Cluster	1
C	Glass Shade	1
D	Stem	1
E	Hex Nut	2
F	Flat Metal Washer	1
G	Rubber Washer	1
H	Finial	1
J	Screws	2
K	Canopy	1



- OR -



HARDWARE CONTENTS (not actual size)

<p>AA</p> <p>Screw (#8-32) Qty:2</p>	<p>BB</p> <p>Wire Nut Qty:3</p>	<p>CC</p> <p>Mounting Strap Qty:1</p>	<p>DD</p> <p>Ball Nut (#8-32) Qty:2</p>	<p>EE</p> <p>Chain Qty:1</p>	<p>FF</p> <p>Chain Loop (1/8IP) Qty:1</p>
--	-------------------------------------	---	---	----------------------------------	---

THANK YOU for selecting Progress Lighting

We can assist you with questions regarding product information, assembly or missing parts



800-447-0573  
8am-8pm (Eastern), Monday-Friday



customerservice@progresslighting.com



## Safety Information

Please read and understand this entire manual before attempting to assemble, operate or install the product.

**CAUTION:** Read instructions carefully and turn electricity off at main circuit breaker panel before beginning installation.

**CAUTION:** Risk of fire. Min. 90°C supply conductors. Consult a qualified electrician to ensure correct branch circuit conductor.

**WARNING:** If any Special Control Devices are used with this fixture, follow instructions carefully to assure full compliance with N.E.C. requirements. If there are any questions, contact a qualified electrical contractor.

**CAUTION:** All glass is fragile. Use care when handling glass shades and bulbs.

## Preparation

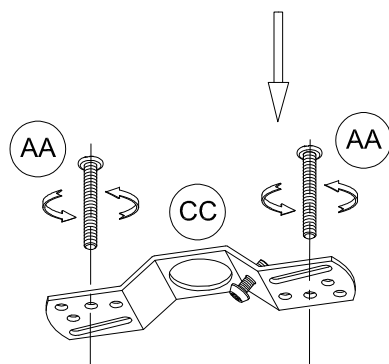
1. Before beginning installation, make sure all parts are included using the contents diagrams from page 1. If any part is missing or damaged, do not attempt to assemble, install or operate the product.
2. Estimated assembly time: 30 minutes.
3. Tools required for assembly (not included): Phillips screwdriver, pliers, wire stripper, safety glasses, electrical tape, ladder.

## Care and Maintenance

Shut off main power supply before cleaning product or changing light bulbs. To clean, wipe with damp cloth. Do not use abrasive cleaners or cleaners that contain alcohol.

## Assembly Instructions

1



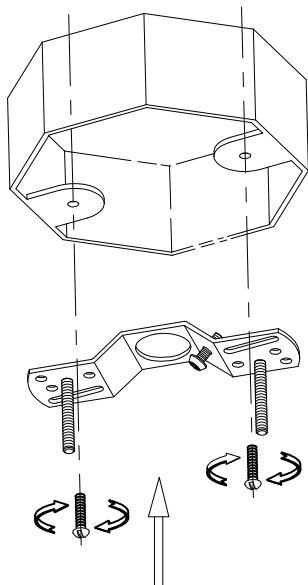
1. Loosely thread the screws (AA) onto the mounting strap (CC) as shown. You now need to adjust the screw length according to the fixture canopy depth.

2. With the mounting bracket facing up, attach this assembly to the outlet box using the mounting screws supplied with the outlet box (not provided). Tighten securely.

Lift up the fixture (A) and pass the screws (AA) through the two mounting holes in the fixture canopy. While holding the fixture with one hand, thread the screws (AA) in or out of the mounting strap (CC) until 3/16" of threads are showing. That should be enough to mount the fixture as instructed in step 6.

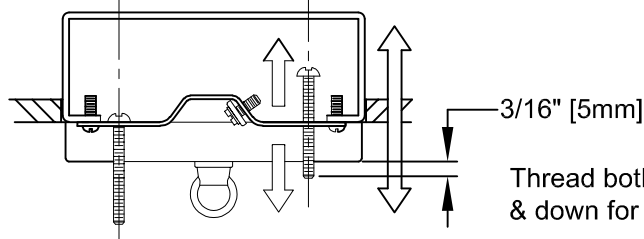
Next, take the fixture down. You now should have the correct length of threads for mounting the fixture.

2



INCORRECT

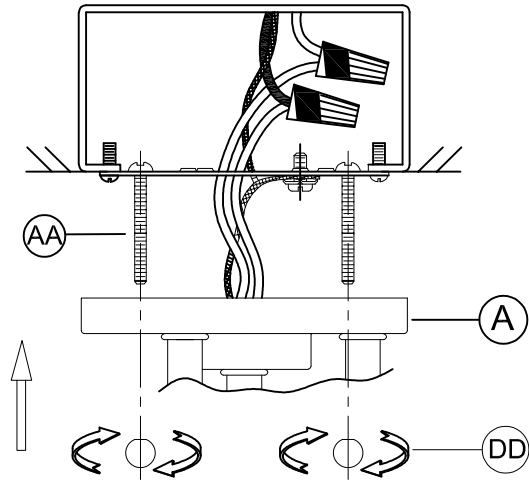
CORRECT



3/16" [5mm]  
Thread both screws up & down for adjustment

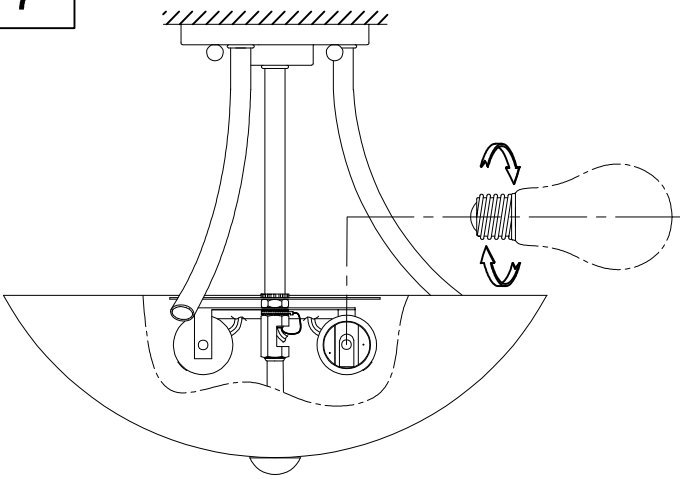
## Flush Mounting Assembly Instructions

6



6. Pass the screws through the two holes in the canopy. Secure the fixture (A) to the screws (AA) using the two ball nuts (DD). Tighten securely.

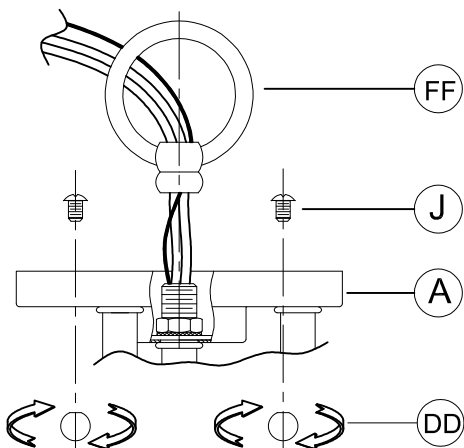
7



7. Thread the lamp (not included) into the fixture socket. Use 100-watt MAX incandescent medium base lamp, SBCFL or SBLED.

## Hanging Mounting Assembly Instructions

5

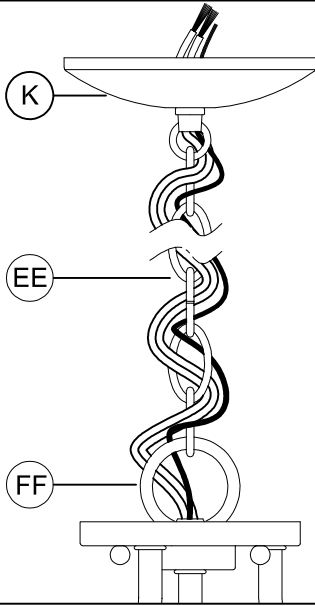


5. Pass the wires through the chain loop (FF). Then thread the chain loop (FF) onto the nipple at the top of the fixture (A). Tighten chain loop (FF) securely to the fixture (A).

Pass the screws through the two holes in the fixture (A) and thread the two ball nuts (DD) onto the screws (J). Tighten securely.

# Hanging Mounting Assembly Instructions

6



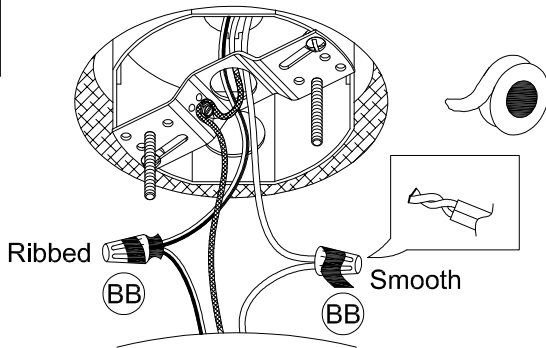
NOTE: During this step, determine the hanging length of your fixture by adding or removing stems and chain links. The electrical and ground wire may also optionally be cut to length.

Do NOT cut electrical or ground wires until this length is determined. Leave AT LEAST 6 inches MINIMUM of wire past the canopy chain loop (FF) to allow for easy connections in step 7.

(Chain links can be spread open with 2 pairs of pliers. Twist the split link ends in opposite directions and close by squeezing them back together.)

6. Once hanging length is determined, open chain link at each end of chain. Attach one end of the chain (EE) to the chain loop (FF) and the other end of chain (EE) to the canopy loop (K). Pass the wires through every third chain link (EE) and up through the canopy loop (K).

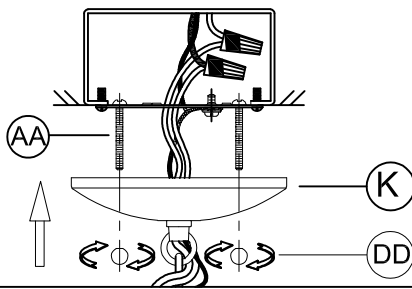
7



7. Strip 3/8" of insulation from the electrical wire ends. Using wire nuts (BB), connect RIBBED fixture wire to the WHITE supply wire from the outlet box; connect the SMOOTH fixture wire to the BLACK supply wire.

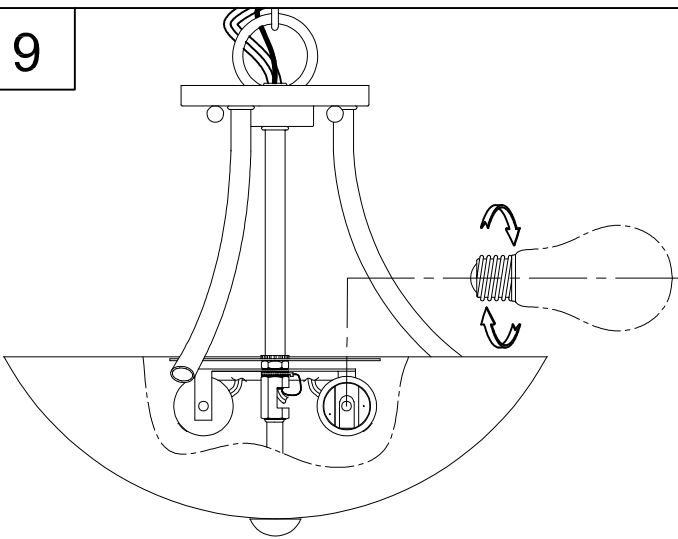
Connect the fixture ground wire and supply ground wire using a wire nut or by fastening to the ground screw on the round mounting plate. Push all wire connections into the outlet box.

8



8. Pass the screws (AA) through the two holes in the canopy (K). Secure the fixture to the screws (AA) using the two ball nuts (DD). Tighten securely.

9



9. Thread the lamp (not included) into the fixture socket. Use 100-watt MAX incandescent medium base lamp, SBCFL or SBLED.