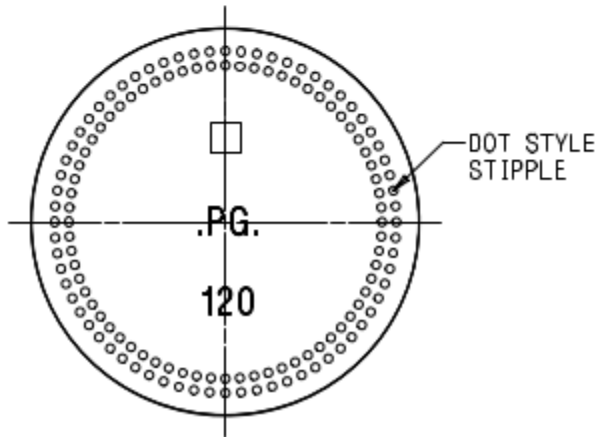
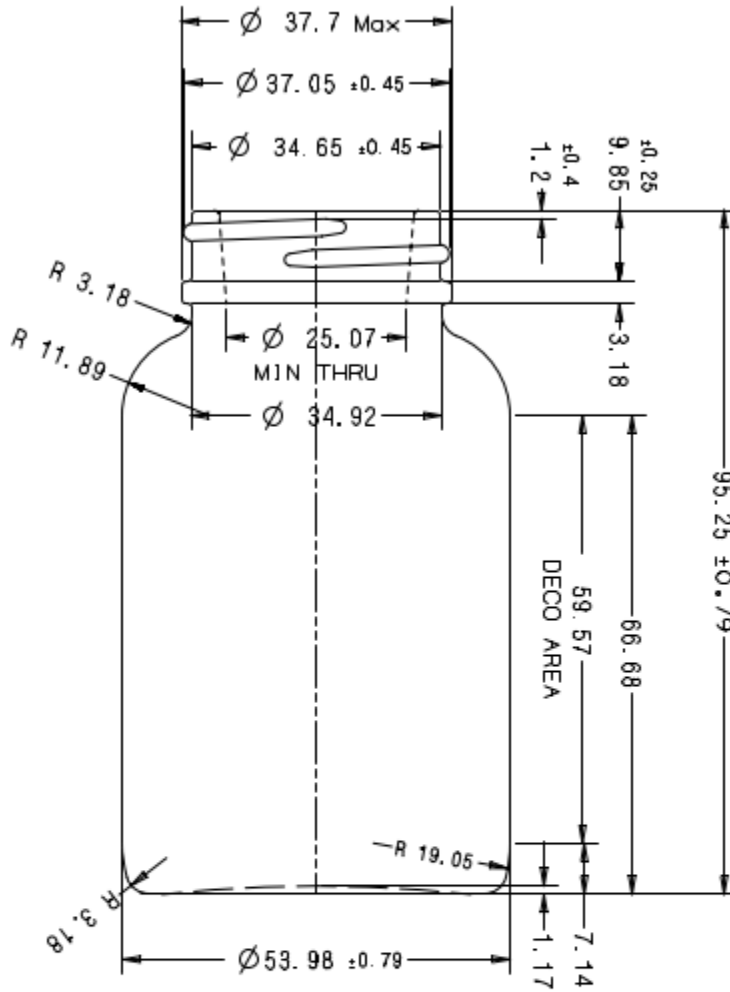


DEPRESSED THREAD AT SEAMS
SIGHT "H" @ "E"



TYPE			
III			
OFC. (ml)	FILLING CAP.(ml)	WEIGHT (g)APX	NECK FINISH
140 ± 3	---	118	GP1-400-38-405 C/R

DISCLAIMER

This specification does not relieve the customer of their ultimate responsibility for the determination of the appropriate container. It is the customer's responsibility to select the appropriate packaging based upon all information at their disposal including the specific application, regulatory compliance, product compatibility and shipping requirements. WE HEREBY DISCLAIM AND EXCLUDE ANY EXPRESS OR IMPLIED WARRANTIES, INCLUDING WITHOUT LIMITATION THE IMPLIED WARRANTIES OF MERCHANTABILITY AND FITNESS FOR A PARTICULAR PURPOSE.

DISTRIBUTED BY:



REF NO.:

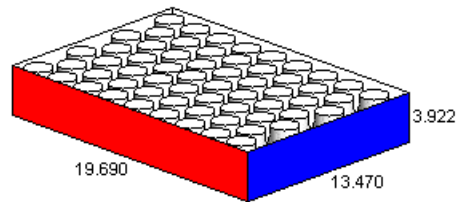
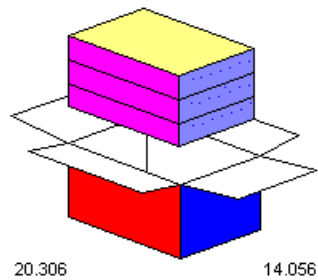
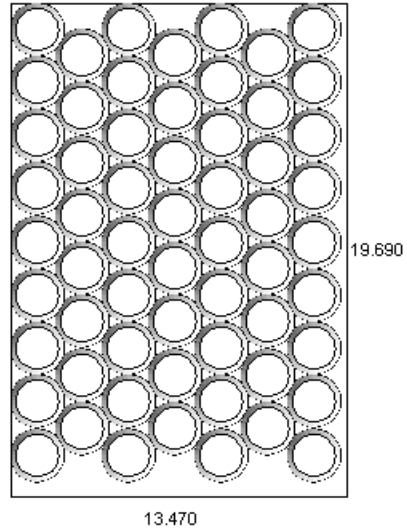
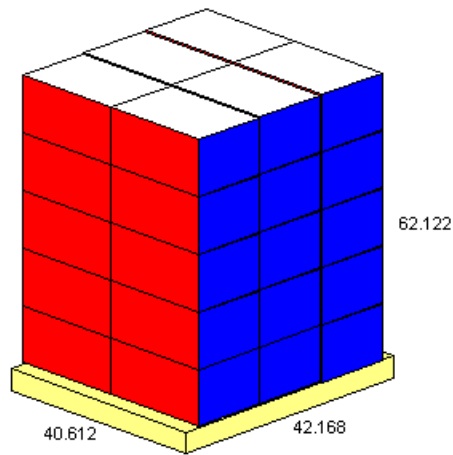
DWG32037

DESCRIPTION:

120 cc Glass Wide Mouth Packer, 38 mm

Packaging Report

Customer	:	SHELF STOCK			
Product	:	120 cc W/M Packer			
Spec. No.	:				
	:				
Bottles / Tray	:	60			
Trays / Carton	:	3			
Case Weights	:	Net	48.138 lb	Gross	49.149 lb
Int. Case Size	:	20.000 x 13.750 x 11.813 in			
Ext. Case Size	:	20.306 x 14.056 x 12.425 in			



DISCLAIMER

This specification does not relieve the customer of their ultimate responsibility for the determination of the appropriate container. It is the customer's responsibility to select the appropriate packaging based upon all information at their disposal including the specific application, regulatory compliance, product compatibility and shipping requirements. WE HEREBY DISCLAIM AND EXCLUDE ANY EXPRESS OR IMPLIED WARRANTIES, INCLUDING WITHOUT LIMITATION THE IMPLIED WARRANTIES OF MERCHANTABILITY AND FITNESS FOR A PARTICULAR PURPOSE.

DISTRIBUTED BY:



REF NO.:

DWG32037

DESCRIPTION:

120 cc Glass Wide Mouth Packer, 38 mm