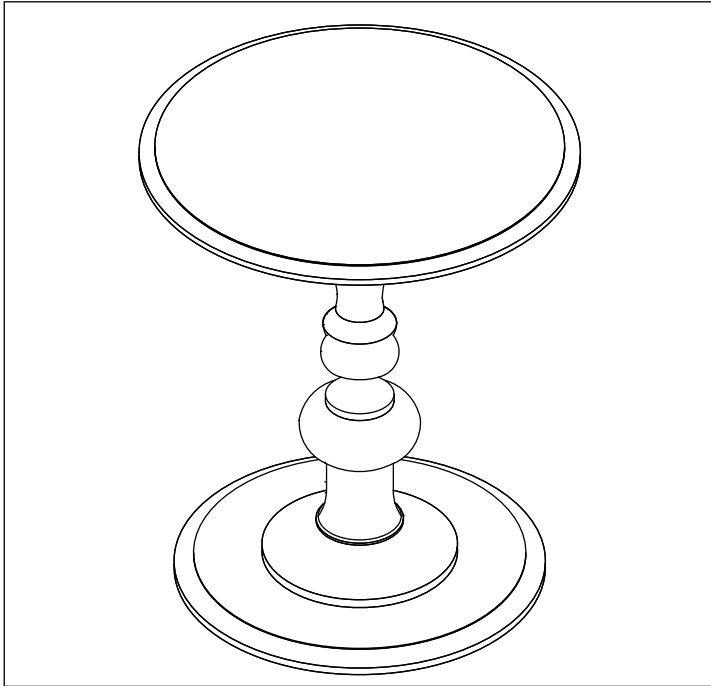






HEKMAN

A HOWARD MILLER COMPANY

ASSEMBLY INSTRUCTIONS: MODEL 27453



HARDWARE ENCLOSED

A		Allenbolt 8 x 25	4 pieces
B		Flat Washer	4 pieces
C		Wrench (Not Provided)	0 pieces
D		Allen Wrench	1 pieces

