

Installation Guide

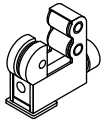
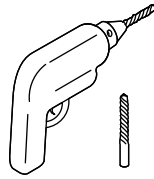
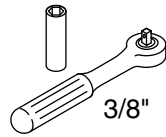
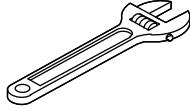
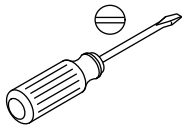
Real Rain Showerhead

Français, page "Français-1"
Español, página "Español-1"

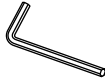
THE BOLD LOOK
OF **KOHLER**®

1386786-2-A

Tools and Materials



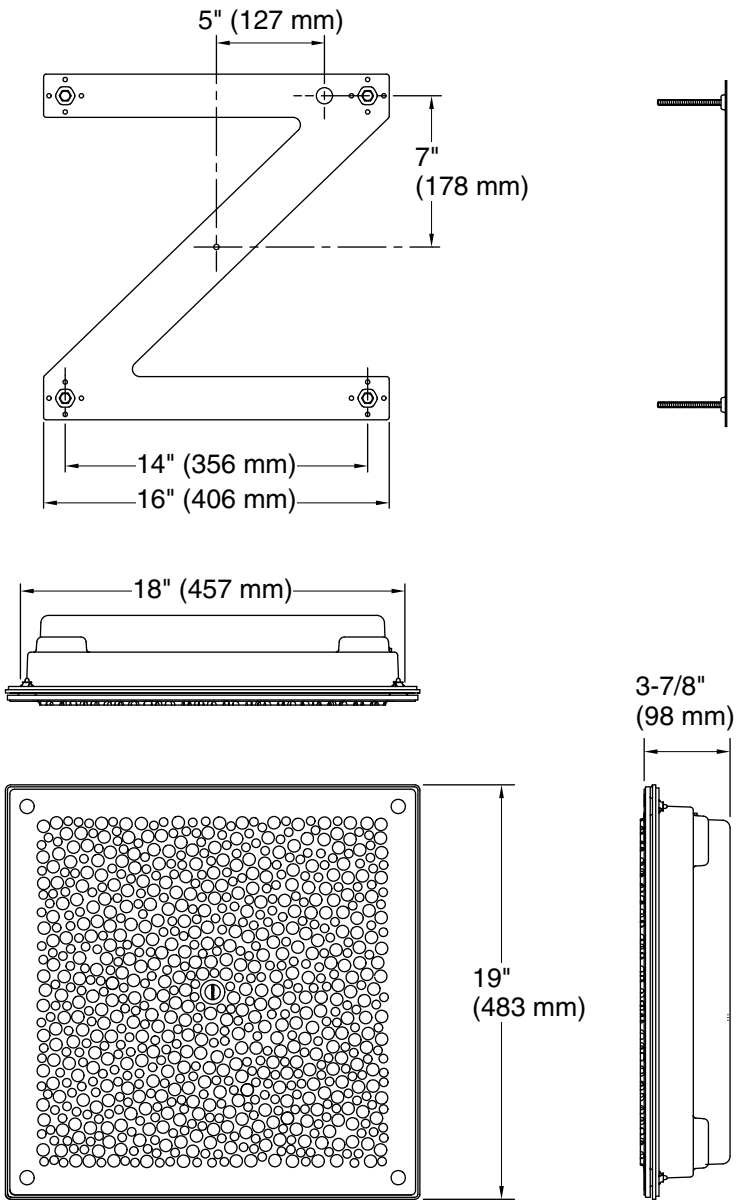
Pipe Cutter



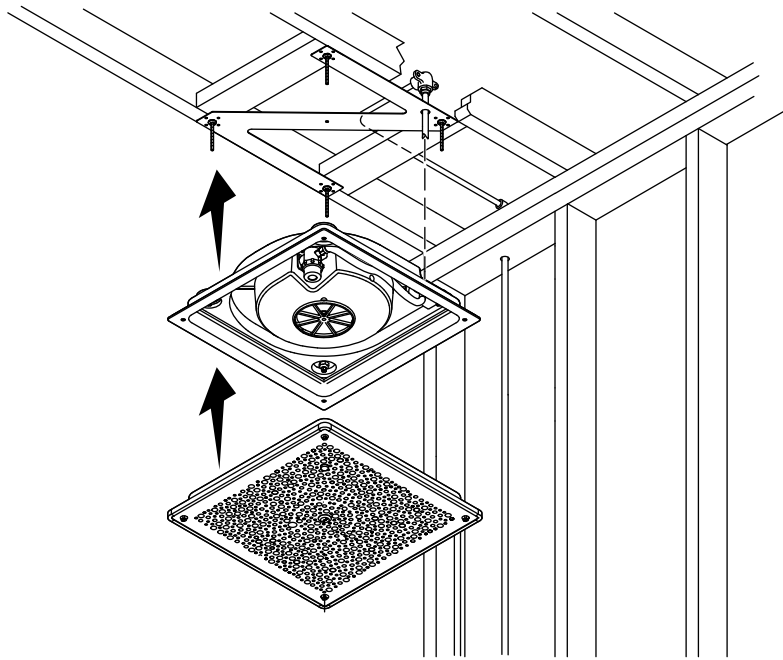
3/16"

Plus:

- 2x4s
- Drop ear elbow
- Conventional woodworking and plumbing tools and materials



Roughing-In



Before You Begin



WARNING: Risk of scalding. High water temperature can cause severe burns. Set the water temperature at or below 120°F (49°C) following the adjustment procedure in the valve Installation Guide.



CAUTION: Risk of personal injury. If the rain panel is not securely held in place during installation, the product may fall causing personal injury. Get help when installing the panel assembly and waterways.

- Observe all local plumbing and building codes.
- Read these instructions and determine all required components along with their installation locations before beginning this installation.
- A shower valve must be installed upstream for temperature and shut off control.

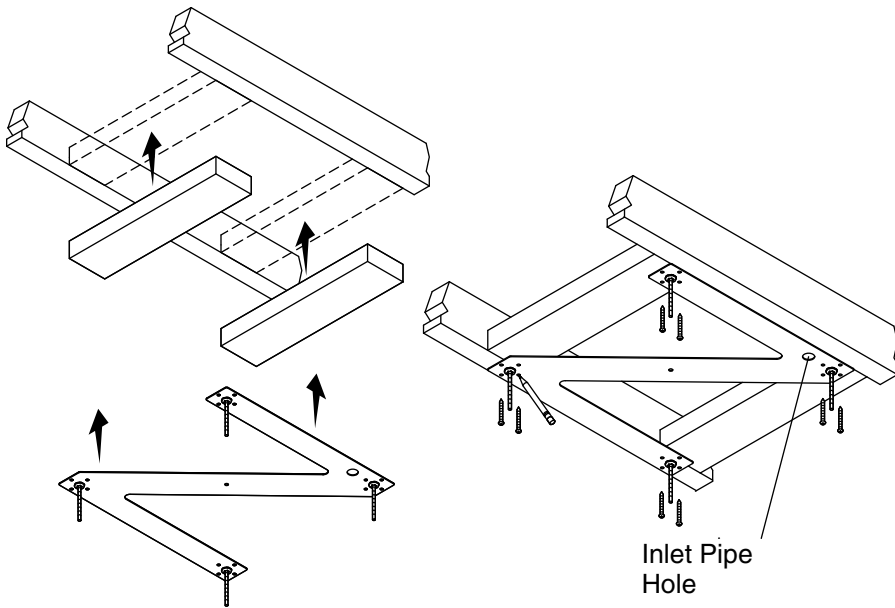
IMPORTANT! Install the shower valve, push button, or digital interface to be within arm's reach when under the Real Rain panel.

Before You Begin (cont.)

- Refer to the Specification Sheet on your product page at kohler.com for required panel trim and push button or digital valve.
- **A dropped ceiling (not shown) is required in the shower area where this product is to be installed.**

IMPORTANT! Risk of product damage. Ensure cutout and framed opening of dropped ceiling meet the required dimensions listed. If the finished ceiling thickness exceeds 4-1/2" (114 mm), shim behind the mounting bracket.

- This product is designed for ceiling-mount installation only. Do not install to a shower wall.
- For service parts information, visit your product page at www.kohler.com/serviceparts.



1. Install the Support Framing and Bracket

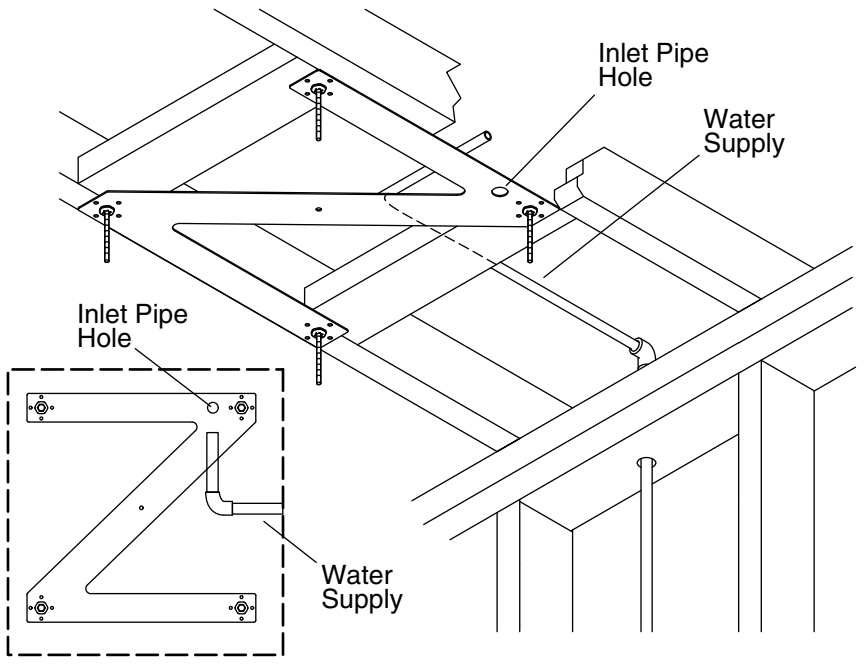
NOTE: These instructions show one possible ceiling configuration. Adapt to fit your application.

- Using 2x4s, construct support framing to mount the bracket. The face of each 2x4 should be installed flush with the face of the ceiling joists.
- Ensure that each corner of the bracket can be mounted to the support framing with at least two screws.



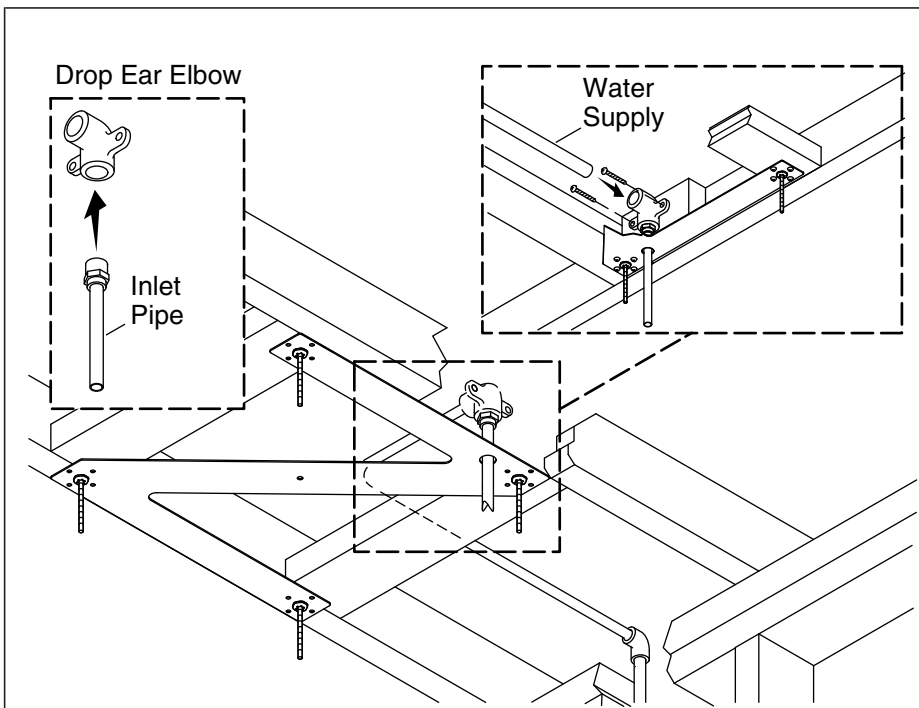
CAUTION: Risk of personal injury. If the bracket is not securely held in place during installation, the product may fall causing personal injury.

- Align the bracket so that its edges are parallel to the shower walls. Orient the inlet pipe hole for the easiest connection to the water supply.
- Install the bracket with at least two #8 1-1/2" screws per corner. Screws may be installed in any two of the four holes per corner.



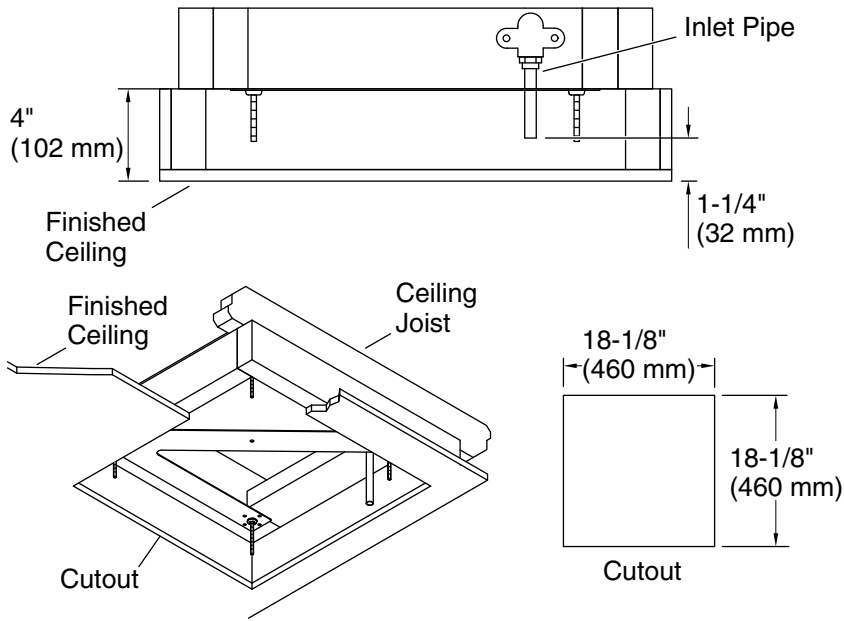
2. Install the Water Supply

- Install the push button or digital valve using the separate instructions provided.
- Route the water supply to the ceiling where the shower is to be installed.



3. Install the Waterway

- Connect the inlet pipe to the drop ear elbow.
- Install the drop ear elbow so that the inlet pipe drops through the inlet pipe hole in the bracket. Add support as necessary.
- Connect the water supply to the drop ear elbow.

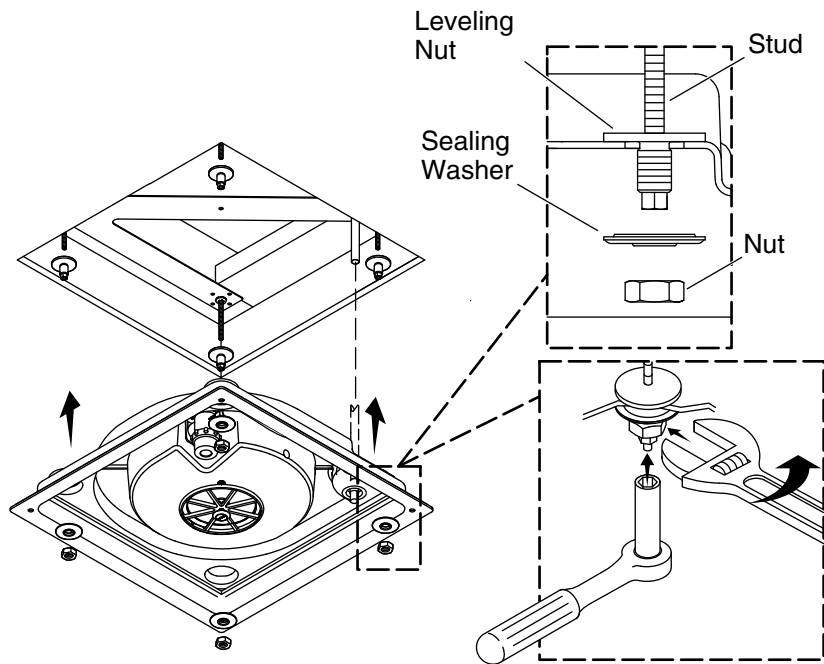


4. Install the Dropped Ceiling

- Construct a **4" (102 mm) minimum to 4-1/2" (114 mm) maximum** dropped ceiling in the shower area. The framed cutout should be centered around the bracket, with the framing **18-1/8" (460 mm) +/- 1/8" (3 mm)** apart in both directions.

IMPORTANT! Risk of product damage. Ensure cutout and framed opening of dropped ceiling meet the required dimensions listed. If the finished ceiling thickness exceeds 4-1/2" (114 mm), shim behind the mounting bracket.

- Trim the inlet pipe to 1-1/4" (32 mm) above the plane of the finished ceiling opening.
- De-burr, clean, and lubricate the inlet pipe to prevent damage to the water inlet gasket when the shower unit is installed.

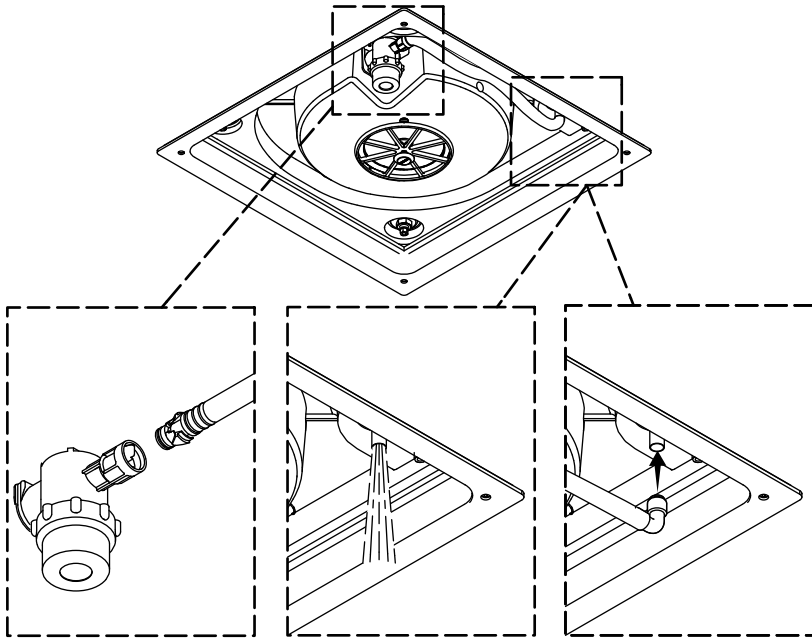


5. Install the Shower Unit



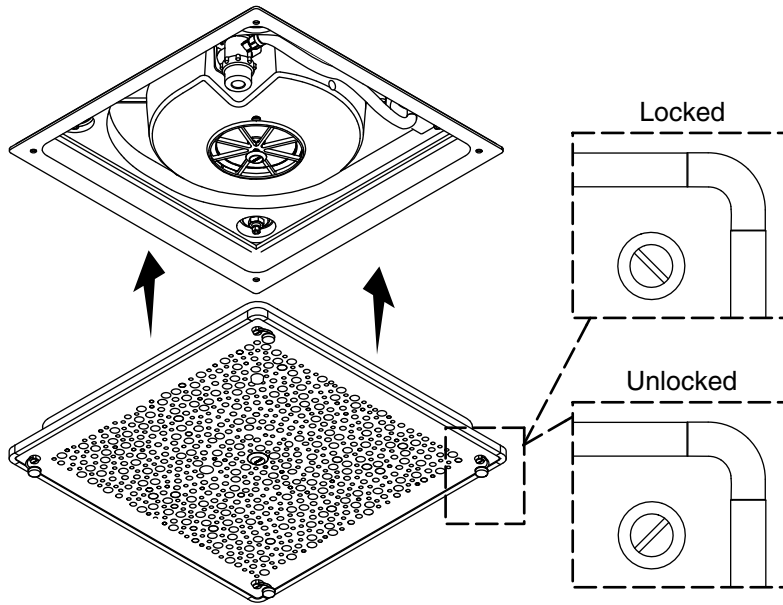
CAUTION: Risk of personal injury. If the shower unit is not securely held in place during installation, the product may fall causing personal injury.

- Thread a leveling nut onto each stud on the bracket.
- Install the shower unit to the bracket. Each leveling nut should stick through the shower unit. The copper inlet pipe should stick through the water inlet gasket. Loosely install four sealing washers (metal side down) and nuts on the leveling nuts.
- Place a level across the shower unit and level by adjusting the leveling nuts.
- Hold the leveling nuts and tighten the nuts.
- Ensure the foam gasket is compressed between the shower unit and the ceiling. Fill any gaps with 100% silicone sealant.



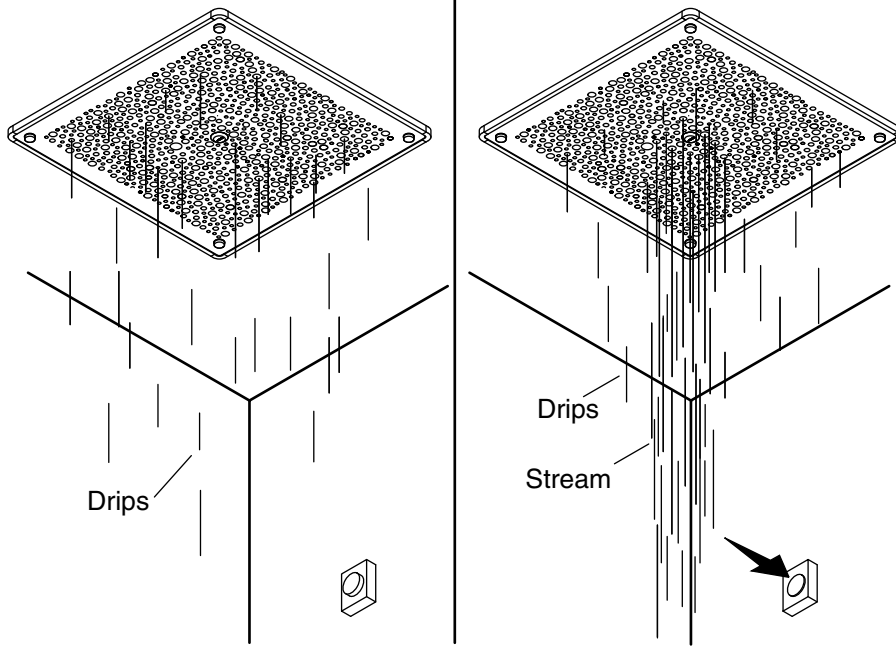
6. Final Water Connections

- Turn on the water to flush debris from the system.
- Turn off the water and install the quick-connect elbow to the inlet pipe.
- Connect the manifold hose to the manifold.



7. Install the Rain Panel Assembly

- Install the rain panel trim using the Installation Guide for the trim.
- Secure the rain panel assembly to the back panel by pushing the corner fasteners upwards until a "click" is heard from each corner. Ensure each corner fastener is in the locked position as shown.
- Install the center fastener with a 3/16" hex wrench.
- Install the logo cap over the center fastener.
- Fold the covers onto the four corner fasteners.



8. Operation

- When the shower is turned on, rain droplets will gradually drip from the rain nozzles and water will briefly stream from the deluge nozzles until the panel reaches full flow.
- Activate the deluge function by pressing the push button valve or the icon on the digital valve user interface. Water will stream from the centermost deluge nozzles for about 8 seconds.

NOTE: For optimal deluge performance, wait about 30 seconds between activations of the deluge function. Activating the deluge function more frequently may reduce the amount of water streaming from the deluge nozzles and dripping from the rain nozzles.

NOTE: When the water is turned off, the deluge function will activate automatically. Water will continue to drip until no water is retained in the showerhead.

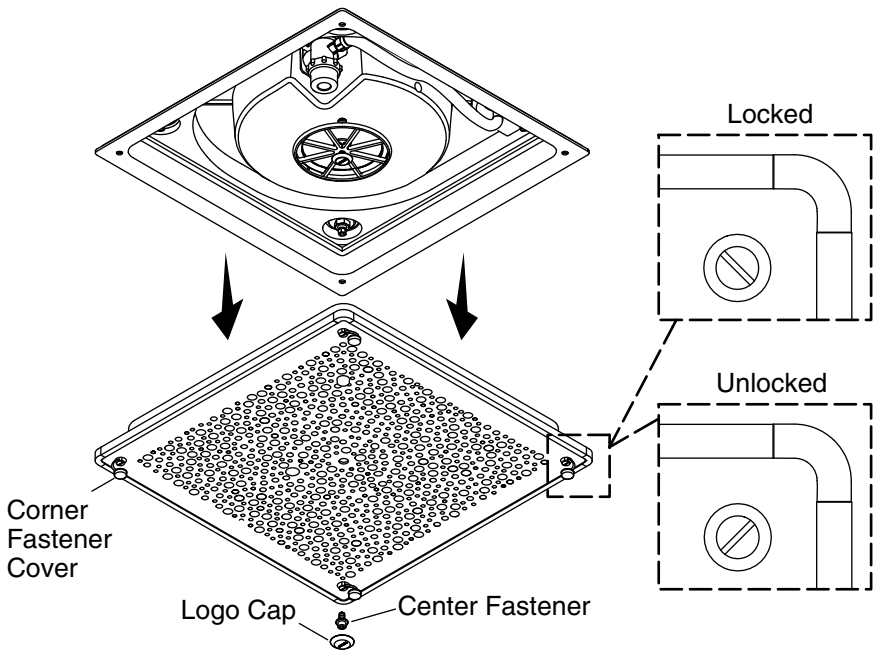
Care and Cleaning

For best results, keep the following in mind when caring for your KOHLER product:

Care and Cleaning (cont.)

- Use a mild detergent such as liquid dishwashing soap and warm water for cleaning. Do not use abrasive cleaners that may scratch or dull the surface.
- Carefully read the cleaner product label to ensure the cleaner is safe for use on the material.
- Always test your cleaning solution on an inconspicuous area before applying to the entire surface.
- Do not allow cleaners to sit or soak on the surface.
- Wipe surfaces clean and rinse completely with water immediately after cleaner application. Rinse and dry any overspray that lands on nearby surfaces.
- Use a soft, dampened sponge or cloth. Never use an abrasive material such as a brush or scouring pad to clean surfaces.

For detailed cleaning information and products to consider, visit www.kohler.com/clean. To order Care & Cleaning information, call 1-800-456-4537.



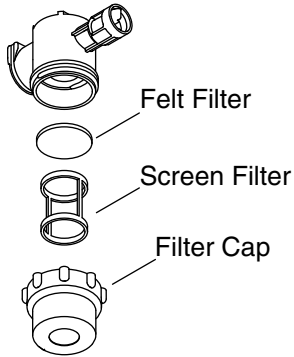
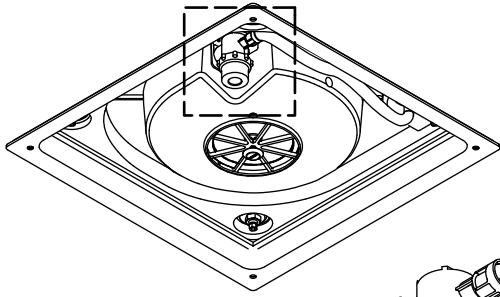
Filter Replacement

Remove the Rain Panel

- Remove the logo cap. Remove the center fastener with a 3/16" hex wrench.
- Gently pry the corner fastener covers off to reveal the corner fasteners.

IMPORTANT! Risk of product damage. The corner fasteners are of a quick connect type. Only use hand tools on these fasteners.

- While supporting the panel, turn each corner fastener 90 degrees to the unlocked position. Remove the rain panel.



9. Filter Replacement, cont.

- Unscrew the filter cap to remove.
- Rinse the screen filter and filter cap.
- Replace the felt filter.
- Reinstall the filter assembly and rain panel.

Troubleshooting

This troubleshooting guide is for general aid only. For service and installation issues or concerns, call 1-800-4KOHLER.

Troubleshooting Table

Symptoms	Probable Cause	Recommended Action
1. Incomplete rain coverage.	A. Nozzles are clogged.	A. Rub nozzles clean with a finger or soft brush. Clean panel per care and cleaning guide.

Troubleshooting (cont.)**Troubleshooting Table**

Symptoms	Probable Cause	Recommended Action
	B. Shower unit is not level. C. Flow into tank is reduced.	B. Ensure that all four corner fasteners are secured. Remove the rain panel. Level the shower unit. Refer to "Install the Shower Unit" section. Reinstall rain panel. C. Remove the rain panel. Unscrew filter cap. Rinse out screen filter and filter cap, replace felt filter. Reinstall filter assembly and rain panel.
2. Dirty rain panel or clogged nozzles.	A. Hard water deposits on nozzles.	A. Rub nozzles clean with a finger or soft brush. Clean the rain panel. Refer to Care and Cleaning section.
3. Deluge function too brief.	A. Push button valve released too quickly.	A. For deluge function, ensure that the push button valve is depressed completely for at least 1 second.
4. Deluge function not working.	A. Push button valve not shutting off water.	A. Remove valve escutcheon and button. Adjust center screw until the screwhead is flush with the leak shield. Reinstall the button and escutcheon.