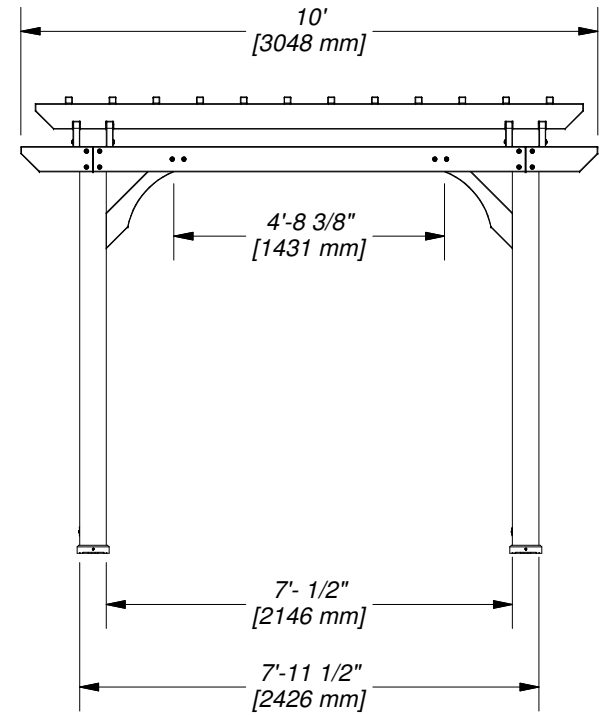
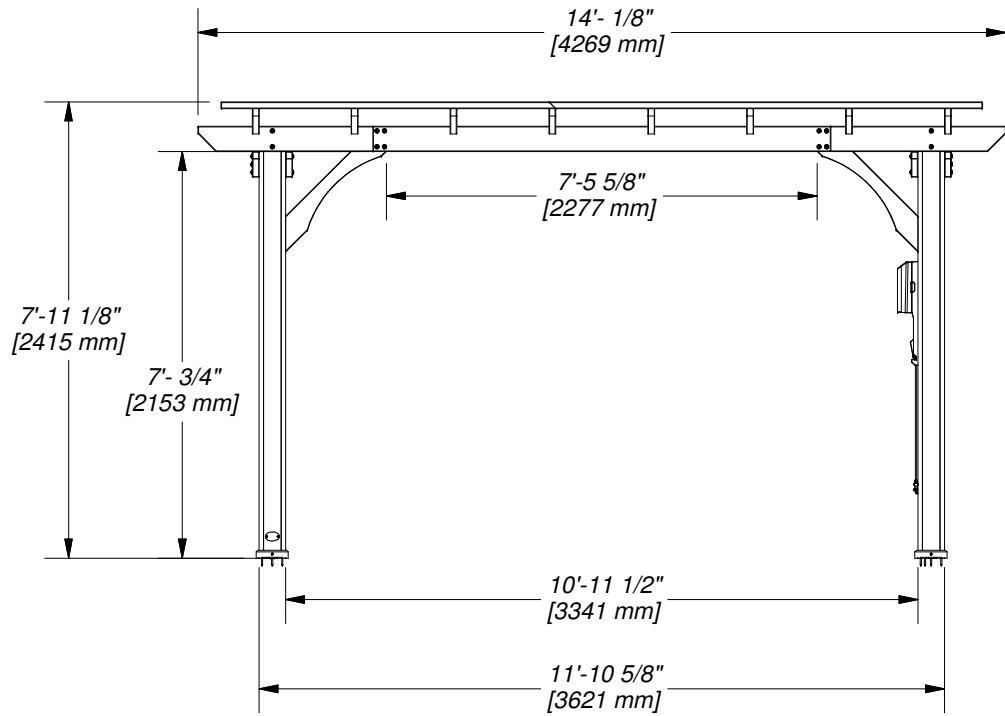

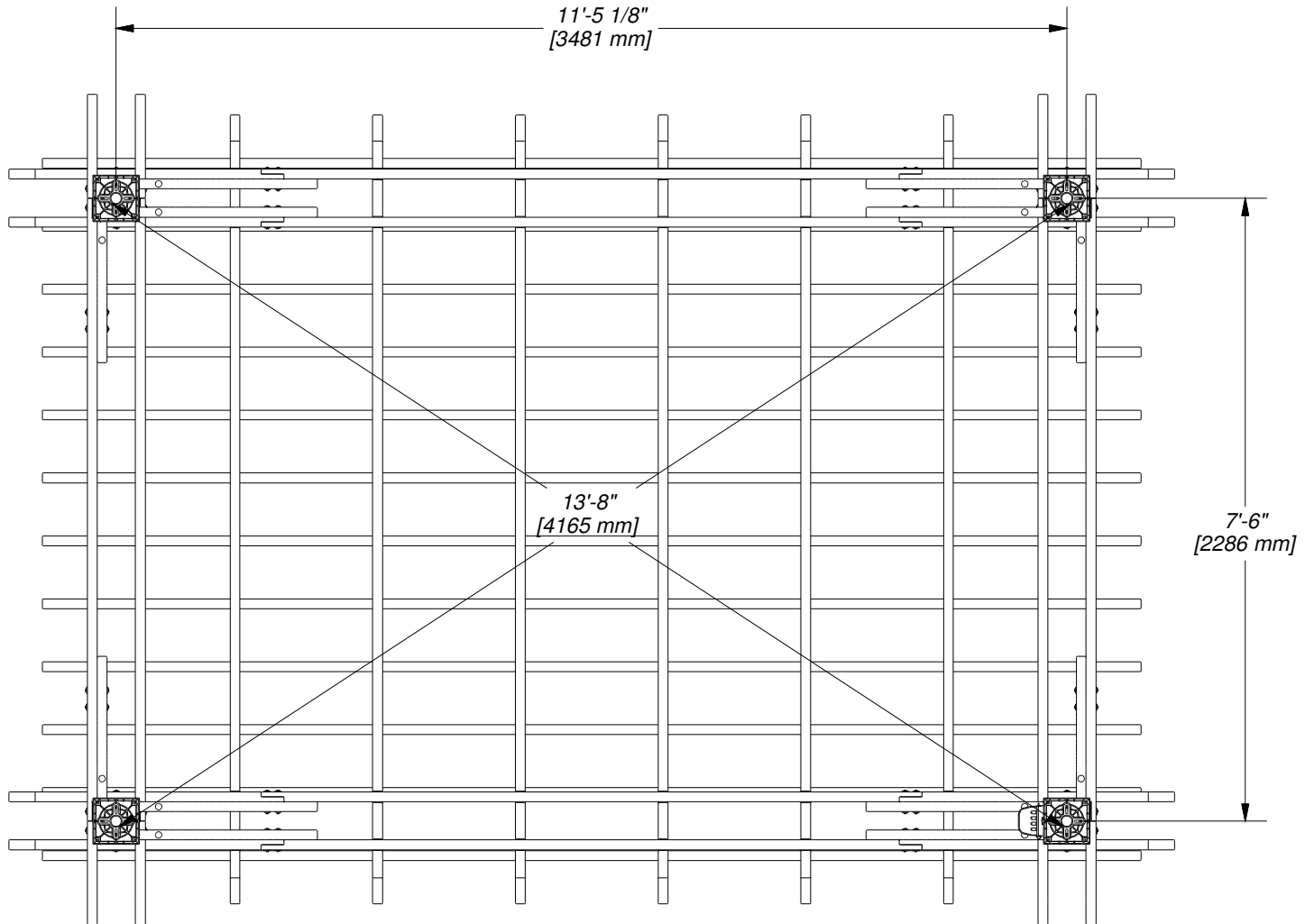


Part Number	2106529 SOMERVILLE
Sheet	1 OF 3
Size	120"x95 1/8"x168" (3048x2415x4268)



Backyard Discovery 3001 N. Rouse Pittsburg, KS. 66762 www.backyarddiscovery.com		
<p><i>This drawing and its contents are the property of Backyard Discovery issued in strict confidence and shall not without the prior written permission of the above stated company, be reproduced, copied, or used for any purpose whatsoever except the manufacture of articles for Backyard Discovery. This drawing is loaned and subject to return upon demand.</i></p>		
TOLERANCES UNLESS OTHERWISE SPECIFIED (UNITS: mm) GENERAL = +1 -0 X.X = ±0.5mm ANGULAR = ±0.5°	FINISH: BW-2UV	DESCRIPTION: 14x10 PERGOLA WITH BAR
	SCALE: NONE	PART NUMBER: 2106529 SOMERVILLE 10 X 14
	DATE: 7/16/2019	LABEL:
	DRAWN BY: cbanke	REV:

Part Number	2106529 SOMERVILLE
Sheet	2 OF 3
Size	120"x95 1/8"x168" (3048x2415x4268)



Backyard Discovery
 3001 N. Rouse Pittsburg, KS. 66762
 www.backyarddiscovery.com


This drawing and its contents are the property of Backyard Discovery issued in strict confidence and shall not without the prior written permission of the above stated company, be reproduced, copied, or used for any purpose whatsoever except the manufacture of articles for Backyard Discovery. This drawing is loaned and subject to return upon demand.



TOLERANCES UNLESS OTHERWISE SPECIFIED (UNITS: mm) GENERAL = +1 -0 X.X = ±0.5mm ANGULAR = ±0.5°	FINISH SCALE	DESCRIPTION		
	DATE DRAWN BY	PART NUMBER	LABEL	REV
	BW-2UV NONE	14x10 PERGOLA WITH BAR		
	7/16/2019 cbanke	2106529 SOMERVILLE 10 X 14		

Part Number	2106529 SOMERVILLE
Sheet	3 OF 3
Size	120"x95 1/8"x168" (3048x2415x4268)



Backyard Discovery 3001 N. Rouse Pittsburg, KS. 66762 www.backyarddiscovery.com		
<p><i>This drawing and its contents are the property of Backyard Discovery issued in strict confidence and shall not without the prior written permission of the above stated company, be reproduced, copied, or used for any purpose whatsoever except the manufacture of articles for Backyard Discovery. This drawing is loaned and subject to return upon demand.</i></p>		
TOLERANCES UNLESS OTHERWISE SPECIFIED (UNITS: mm) GENERAL = +1 -0 X.X = ±0.5mm ANGULAR = ±0.5°	FINISH: BW-2UV SCALE: NONE	DESCRIPTION: 14x10 PERGOLA WITH BAR
	DATE: 7/16/2019 DRAWN BY: cbanke	PART NUMBER: 2106529 SOMERVILLE 10 X 14