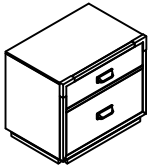


ASSEMBLY INSTRUCTION

2-DRAWER NIGHTSTAND WITH POWER OUTLET

A Nightstand



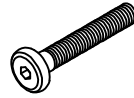
1pc

B Leg (In the bottom drawer)



4pcs

C JCBC Bolt
5/16" x 55mm



4pcs

D Spring Washer
5/16" x Ø12mm



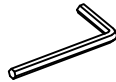
4pcs

E Flat Washer
5/16" x Ø19mm

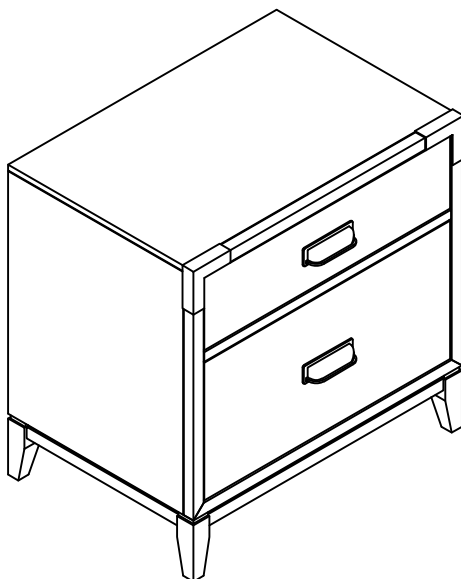


4pcs

F Allen Key
M4 x 65mm



1pc

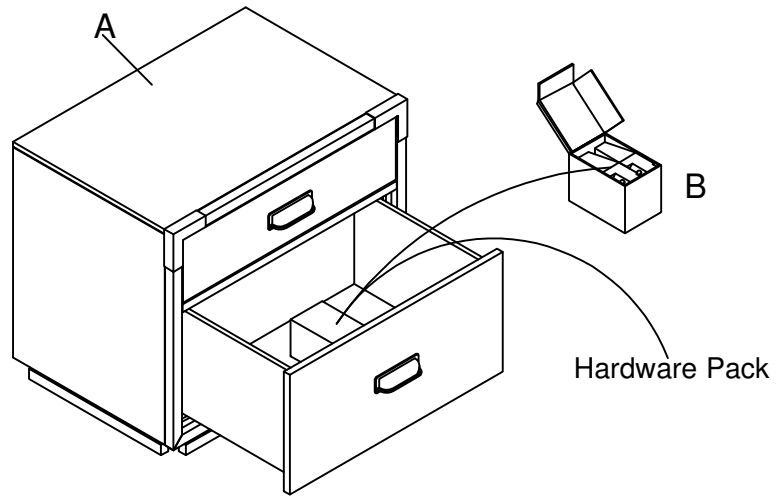


This page lists all the contents included in the box. Please take the time to identify the hardware as well as the individual components to this product. As you unpack and prepare for assembly, place the contents on a carpeted or padded area to protect them from damage.

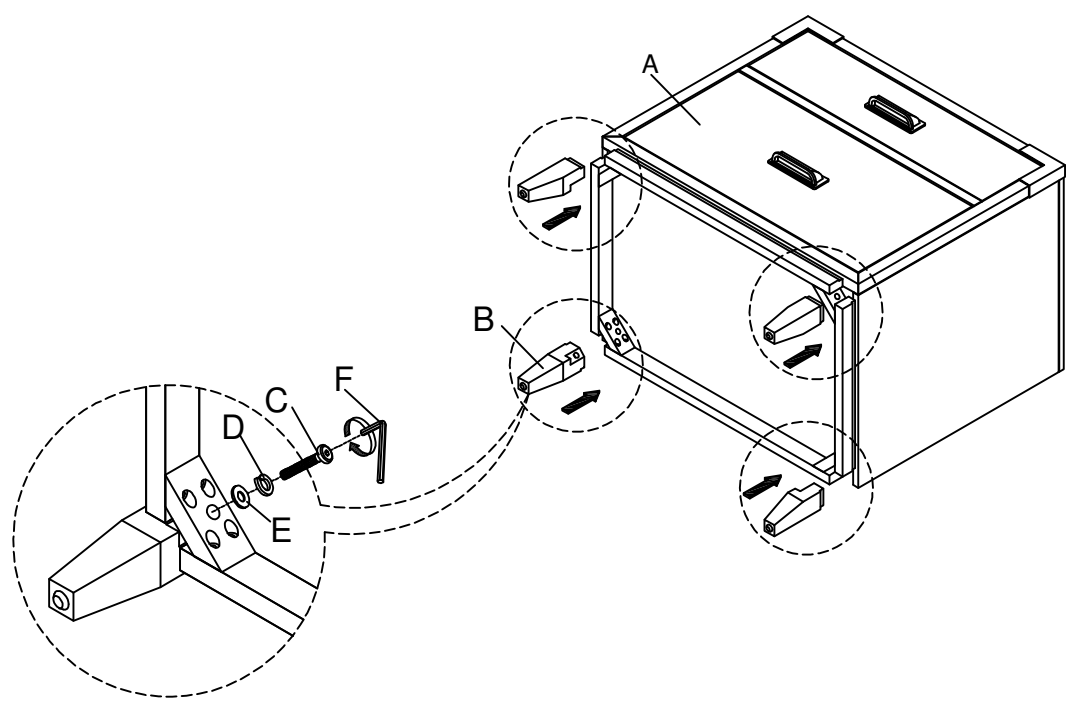
IMPORTANT NOTE:

1. Do not tighten all screws / bolts until all completely assembled.
2. Keep all hardware parts out of reach of children.

1 Take out the box of Leg (B) and hardware pack from the bottom drawer of Nightstand (A).

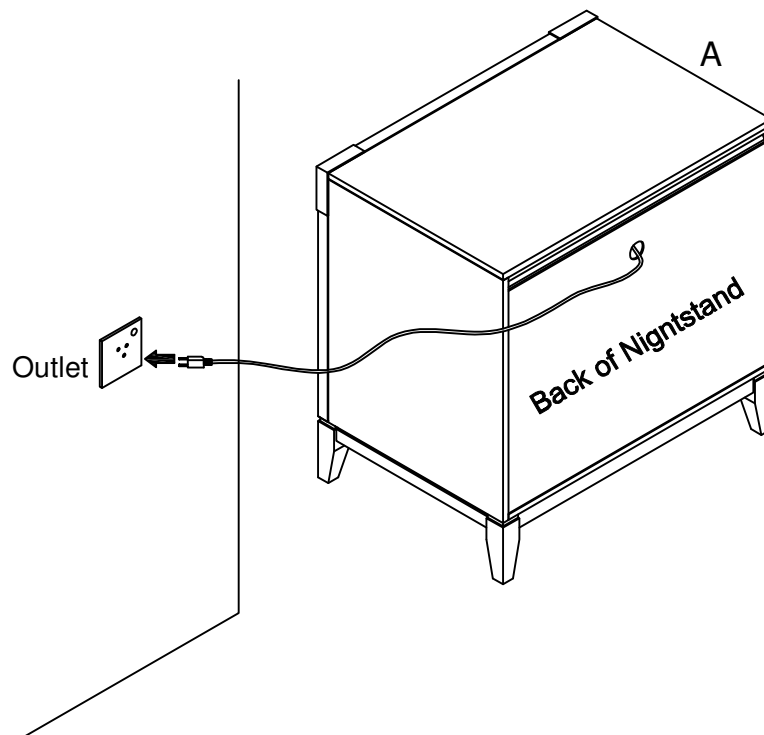


2 Attach Leg (B) to the Nightstand (A) and tighten JCBC Bolt (C), Spring Washer (D) and Flat Washer (E) with Allen Key (F).



3

Take the power cord through the hole on the back of the Nightstand (A) and plug it into a wall outlet.



Cleaning & Care

Treat surface with care. Surface is resistant to scratches but is not scratch resistant. Clean surfaces with a dry or damp soft cloth. Do not use abrasive cleaners. Hardware may loosen over time. Periodically check that all connections are tight.