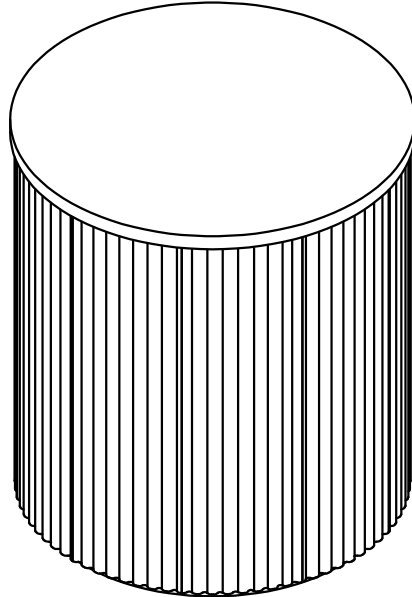


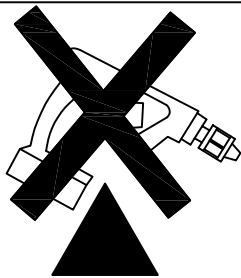
ASSEMBLY INSTRUCTION

Amos Round End Table 18"

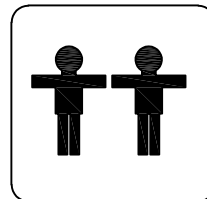


REPLACEMENT PARTS

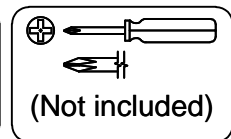
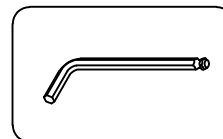
Please do not contact the company purchased from as we can help you faster.
Order replacement parts and hardware at "www.boltonfurniture.com"



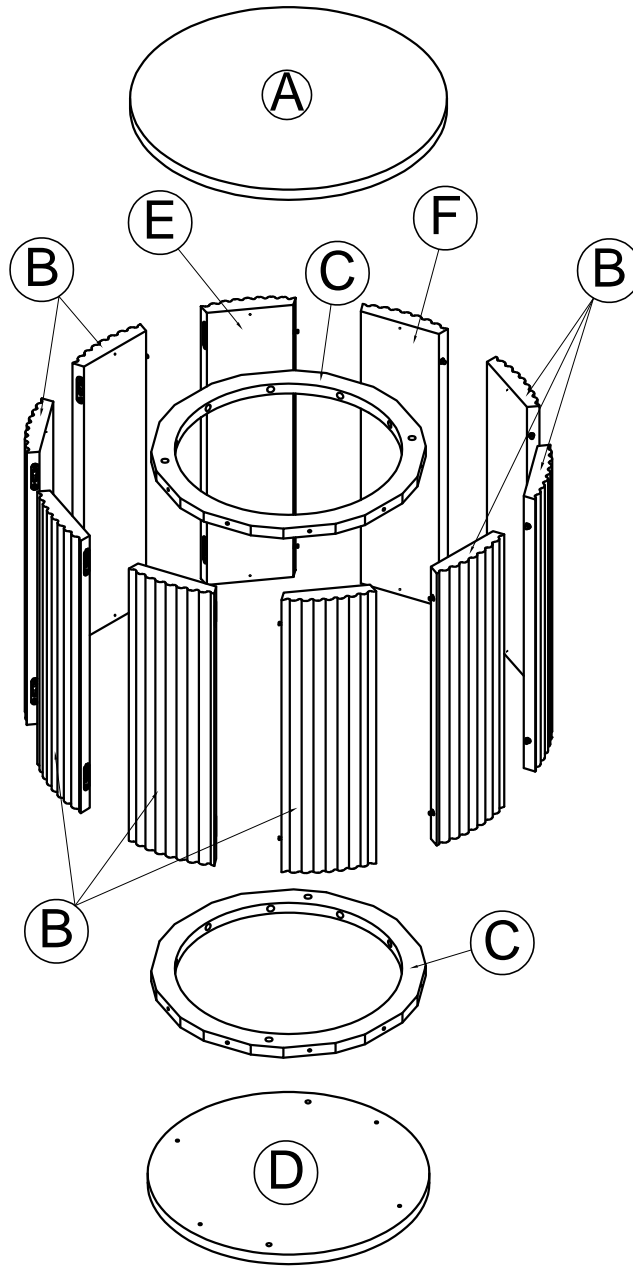
- . Use of power tool to assemble this product will invalidate any claim and damage this product making it unsafe !!!
- . Please assemble on a clean soft surface to avoid damage.



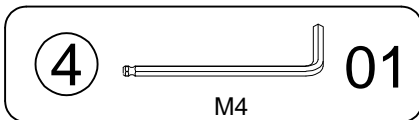
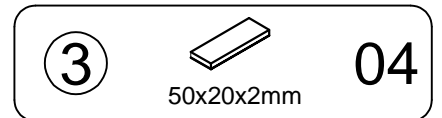
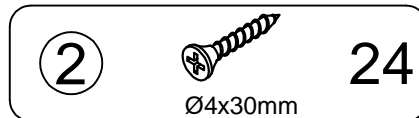
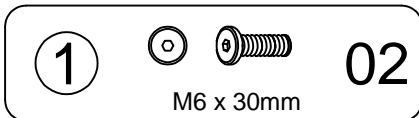
Tools Required



Part list - Amos Round End Table 18"

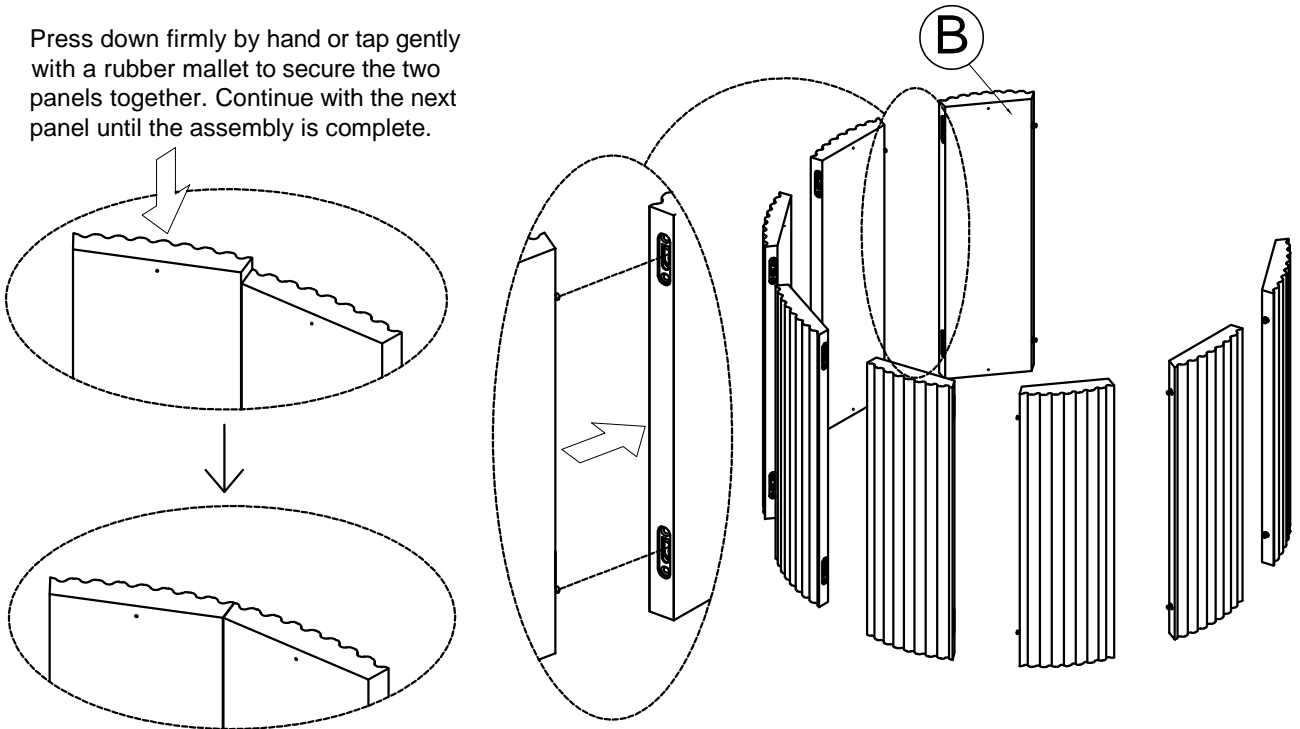


Identifying the hardware-Identify the hardware using the illustrations below

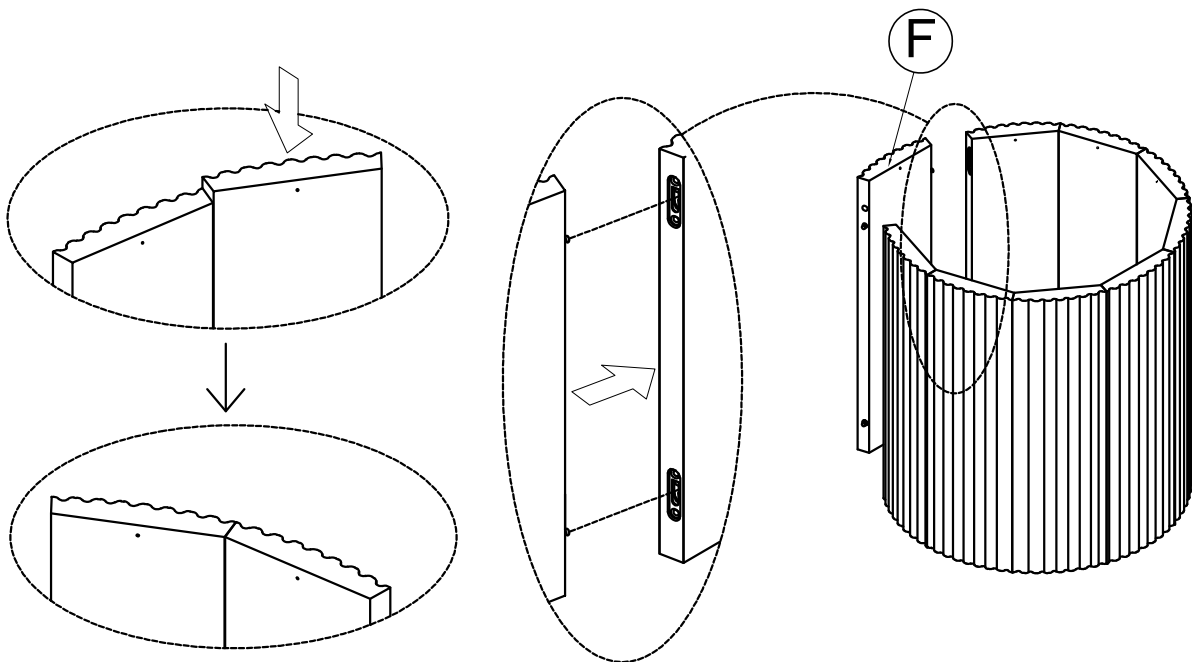


STEP 1

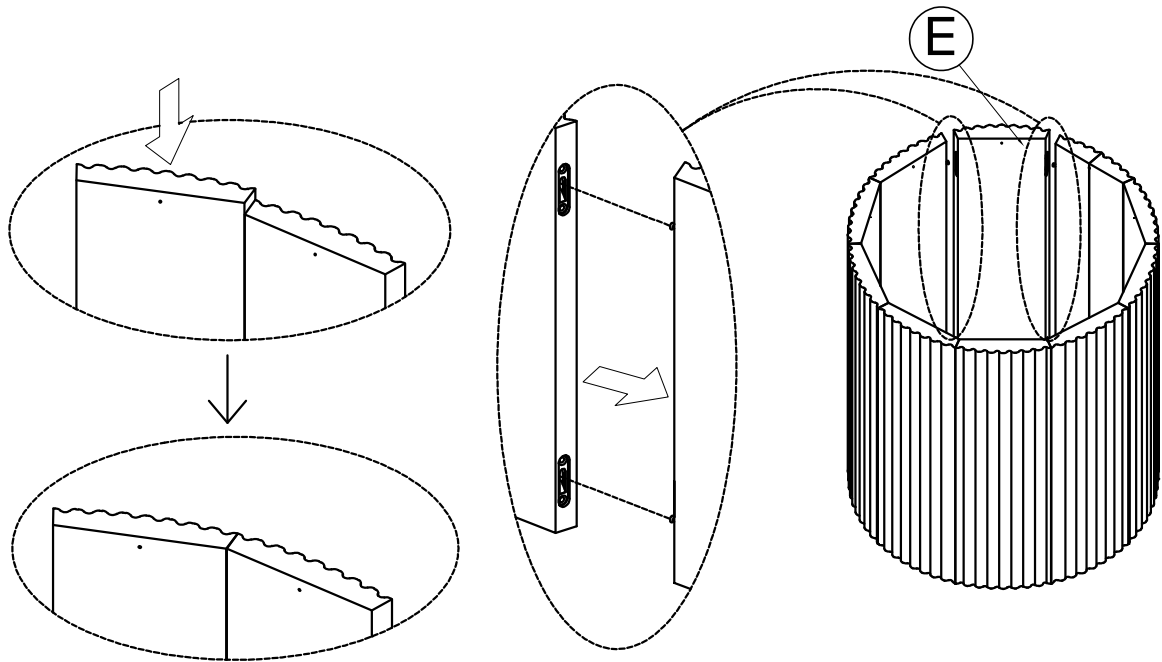
Press down firmly by hand or tap gently with a rubber mallet to secure the two panels together. Continue with the next panel until the assembly is complete.



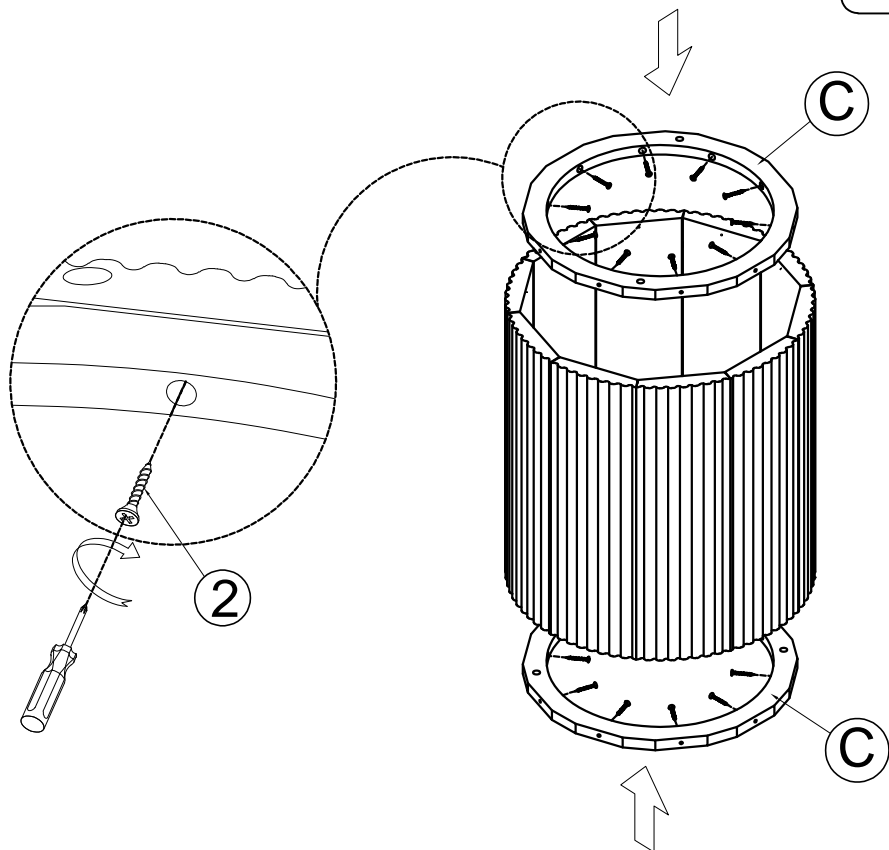
STEP 2





STEP 3

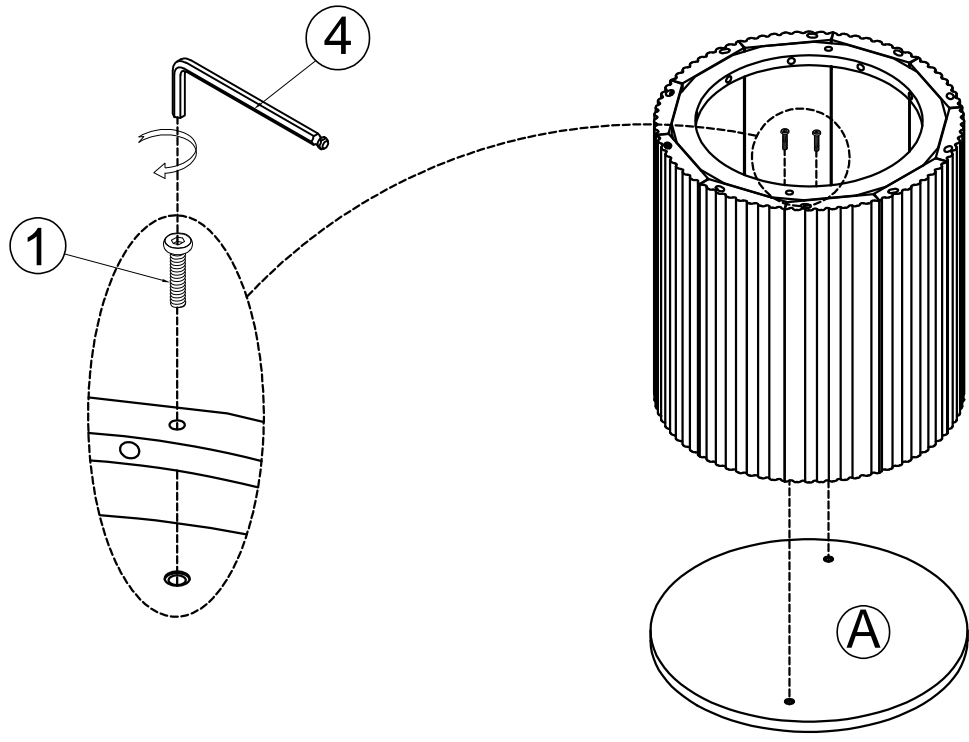


STEP 4

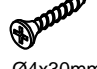


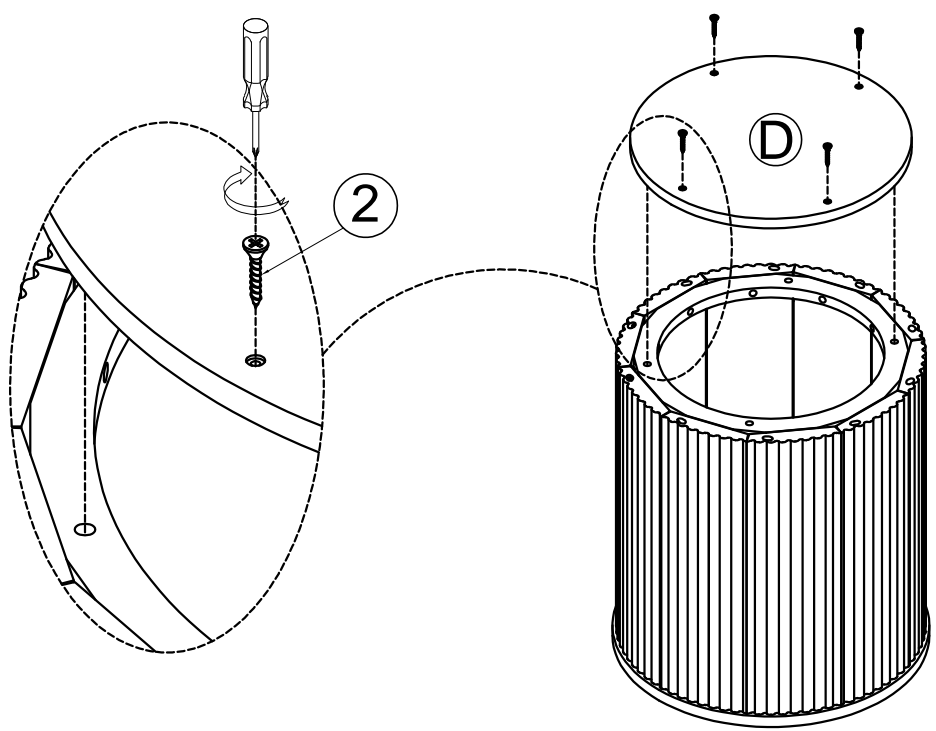
STEP 5

①		02	④		01
	M6 x 30mm			M4	




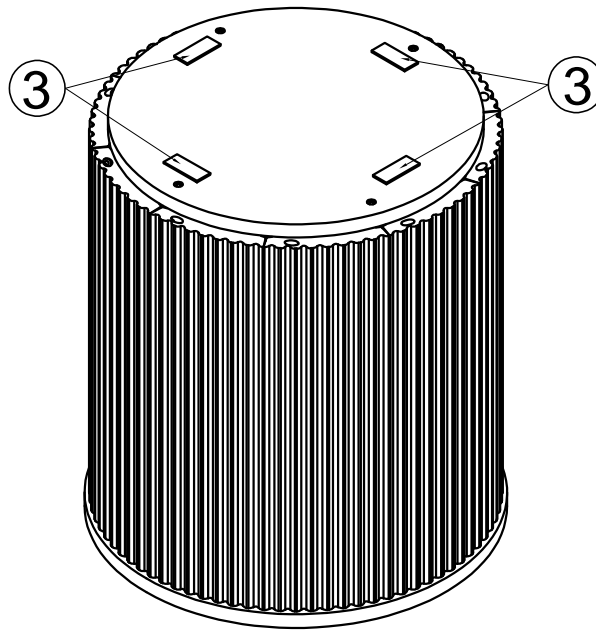
STEP 6

②		04
	Ø4x30mm	



STEP 7

③  04
50x20x2mm



Complete

