

For Residential and Commercial Applications

Job Name:

Engineer/Architect:

Job Location:

Wholesaler:

Submittal Date:

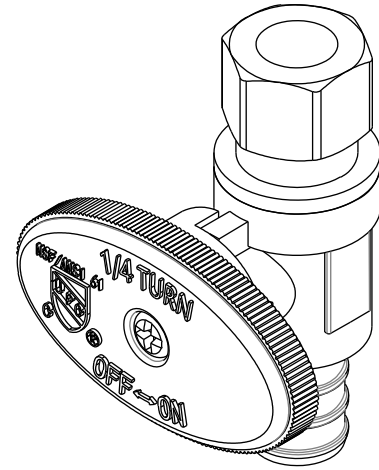
Contractor:

PLB204X 1/4 Turn Straight Stop – Barbed PEX Inlet

Use: For use only in potable water distribution systems, hot and cold, in accessible locations only.

STOP MATERIAL SPECIFICATIONS

Body	Brass, plated
Stem	Brass
Ball	Brass, plated
Seats	PTFE
O-ring	Rubber
Handle	ABS, plated
Handle Screw	Stainless steel
Compression Nut	Brass, plated
Compression Sleeve	Brass
Adaptor	Brass, plated

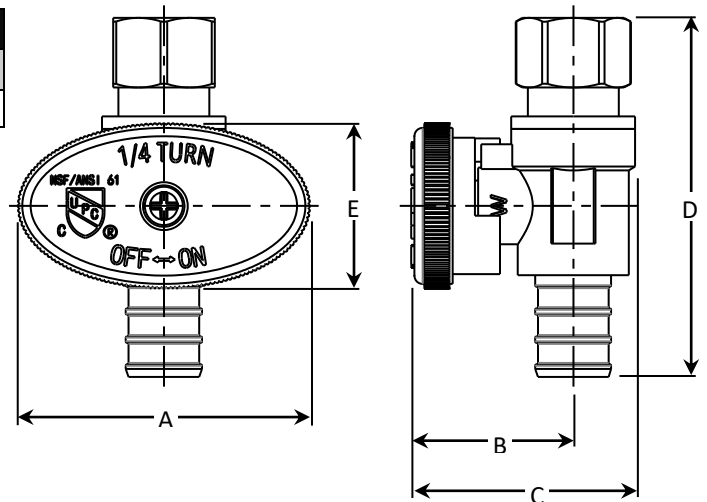


Operating Specifications

Temperature	Pressure
Intermittent 40° - 160°F	125 PSI maximum

PART DIMENSIONS (Inches)

Model	DIM. A	DIM. B	DIM. C	DIM. D	DIM. E
PLB204X	1.80	.98	1.31	2.24	1.01



Listings & Certifications:

- IAPMO listed to ASME A112.18.1 / CSA B125.1 (includes NSF/ANSI 372 and NSF61)

NSF/ANSI/
CAN61:Q≤0.5



This specification and all information contained herein is the confidential and exclusive property of BrassCraft Manufacturing Company and shall not be disclosed to others without the written consent of BrassCraft. This specification must be returned to BrassCraft if requested.

**Products shown may differ from those available in the Canadian market.*

PLUMBSHOP®