

# Assembly Instructions

## Wall Shelf

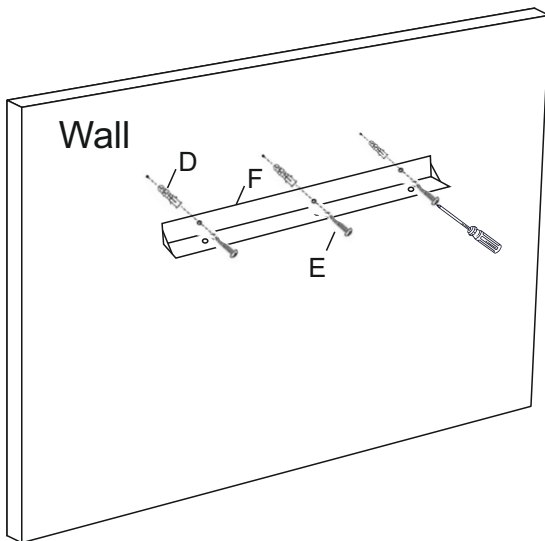
### HARDWARE LIST:-

NO.	DESCRIPTION	IMAGE	QTY
A	ALLEN KEY (4mm)		1
B	ALLEN BOLT (6X12mm)		6
C	WASHER		6
D	WALL ANCHOR		6
E	SCREW		6

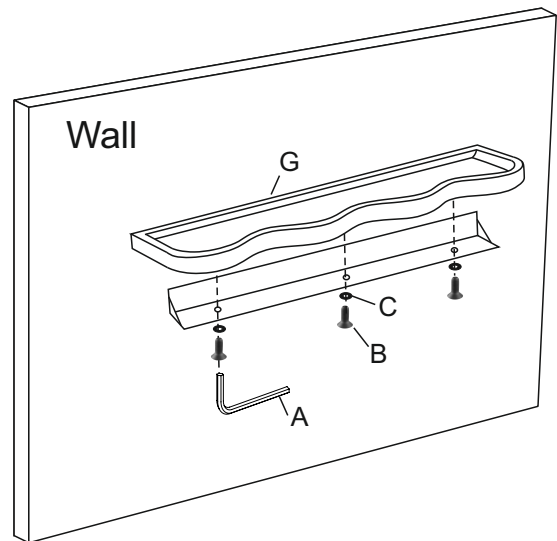
### PART LIST:-

NO.	DESCRIPTION	IMAGE	QTY
F	METAL CLEAT		2
G	WOOD SHELF		2

### Step :- 1



### Step :- 2



### Step :- 3

