

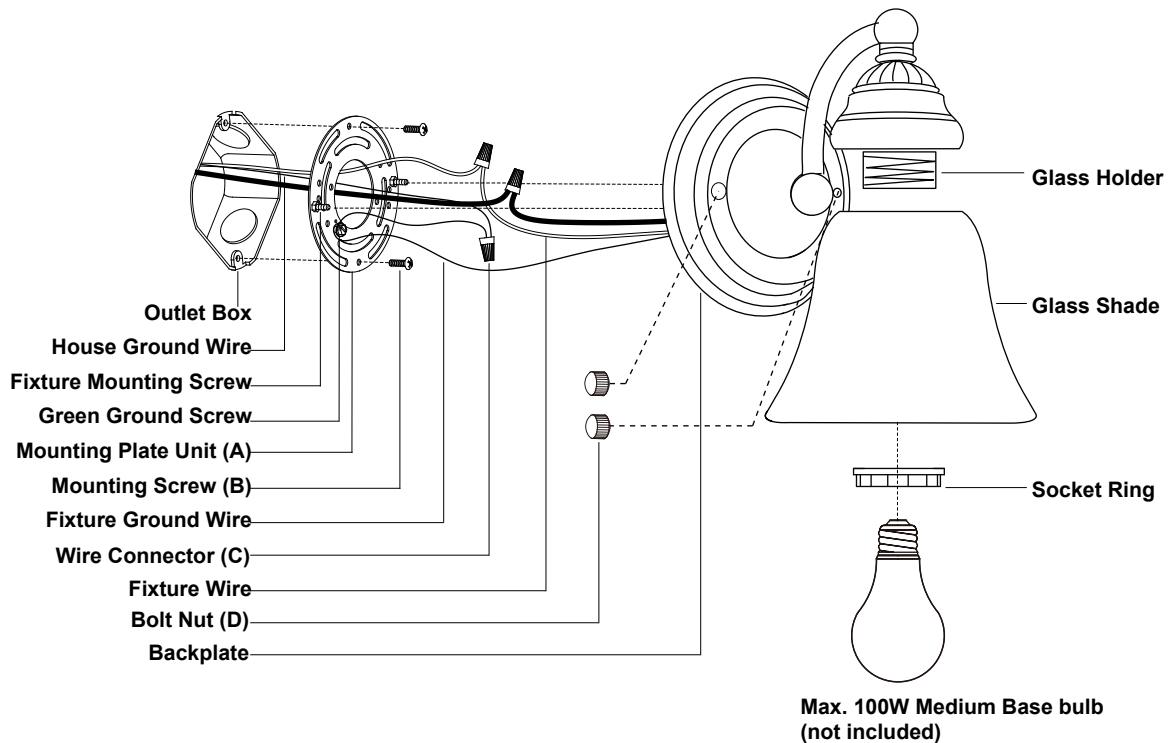
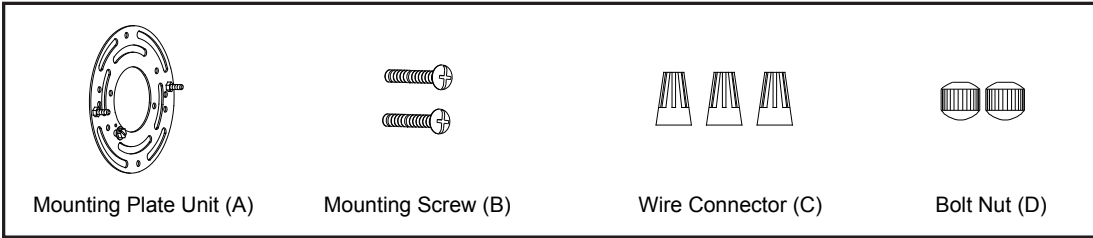
ASSEMBLY AND INSTALLATION INSTRUCTIONS

WL35121A / WL35121BN / WL35121OBB / WL35121RBZ

WARNING: TO AVOID RISK OF ELECTRICAL SHOCK, BE SURE TO SHUT OFF POWER BEFORE INSTALLING OR SERVICING THIS FIXTURE.

NOTES: 1. Before installing, consult local electrical codes for wiring and grounding requirements.
2. Read and save these instructions.

Hardware Package (included):



Installation Steps

Turn off the power at fuse or circuit box.

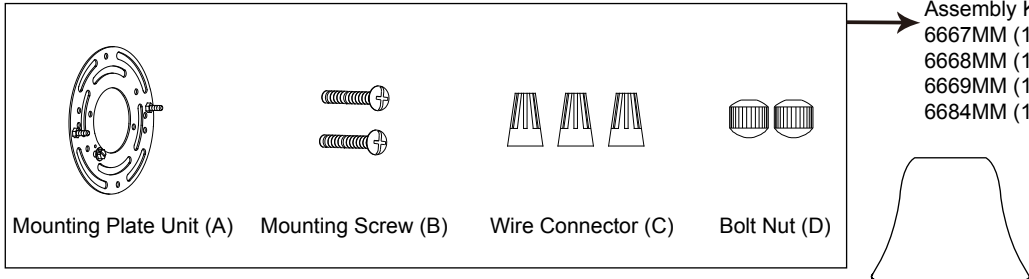
1. Unscrew the two bolt nuts (D), remove the mounting plate unit (A) from the fixture. Adjust the length of the preinstalled fixture mounting screws if necessary.
Note: Make sure that two fixture mounting screws are lined up horizontally to make the fixture level.
2. Attach the mounting plate unit (A) to the outlet box by using two mounting screws (B).

3. Pull out the source wires from the outlet box. Make wire connections using wire connectors (C) as follows:
 - Connect the hot wire (black insulation) from the fixture to the black wire from the power source.
 - Connect the neutral wire (white insulation) from the fixture to the white wire from the power source.
 - Attach the fixture ground wire (bare wire) to the mounting plate unit (A) with green ground screw, then depending on local code, connect it to the house ground wire with the wire connector (C).
 Carefully put all of the wires back into the outlet box.
4. Attach the fixture to the mounting plate unit (A) by inserting fixture mounting screws into holes on fixture, and then secure it with two bolt nuts (D).
5. Attach the glass shade to the glass holder, then secure it with the socket ring.
6. Install 1 x 100W Max. medium base bulbs (not included). Check relamping label at socket area or packaging for maximum wattage allowed.

Turn on the power at fuse or circuit box.

The following parts are available for reorder if damaged or missing.

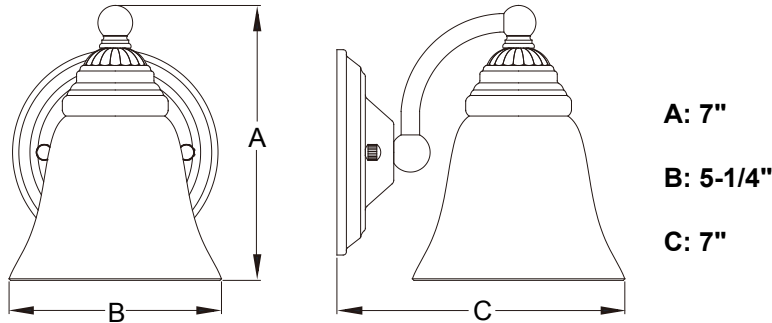
Spare Parts List:



Assembly Kit
 6667MM (1 SET) for WL35121A
 6668MM (1 SET) for WL35121BN
 6669MM (1 SET) for WL35121OBB
 6684MM (1 SET) for WL35121RBZ

Glass Shade
 935121 for WL35121A
 for WL35121BN
 for WL35121OBB
 935121CR for WL35121RBZ

Mounting Plate Unit (A) Mounting Screw (B) Wire Connector (C) Bolt Nut (D)



1 Year Warranty

Vaxcel warrants all of our products against defects in workmanship and finishes for one year following the date of shipment.

Exclusions: This warranty does not include the failure of products from extreme acts of nature; environmental conditions not suited for the products intended use; operation in temperatures outside of the range specified in the instruction manual; usage with improper power supply, power surges or dips. For coastal locations, some corrosion is considered normal for the environment.

Vaxcel reserves the right to repair, replace or issue a credit for any properly installed product, provided it is returned per RMA instruction. This warranty is limited to the cost of the product only and does not extend to transportation, installation or replacement costs.

How can warranty service be obtained?
 info@vaxcel.com
 1-800-482-9235

