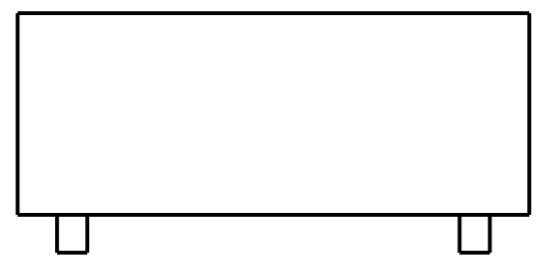
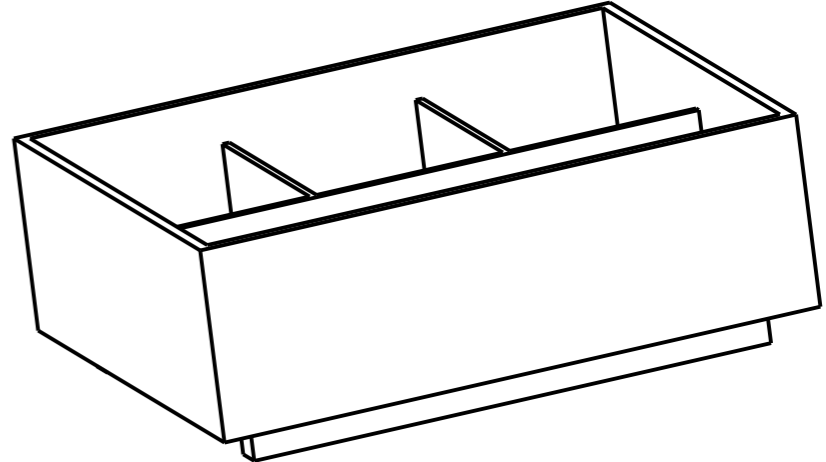
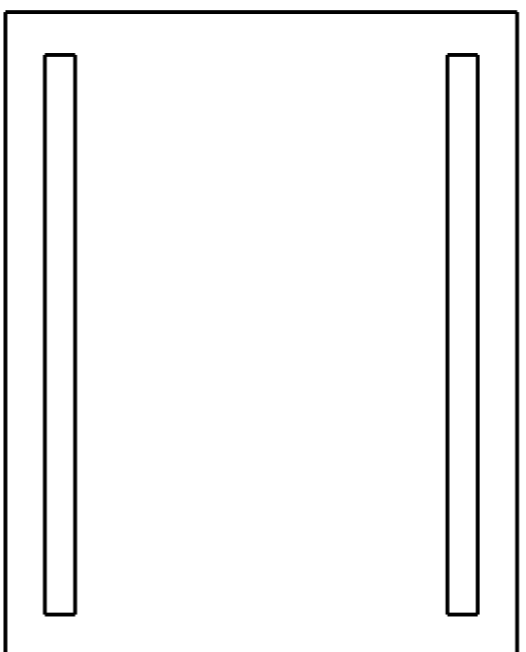
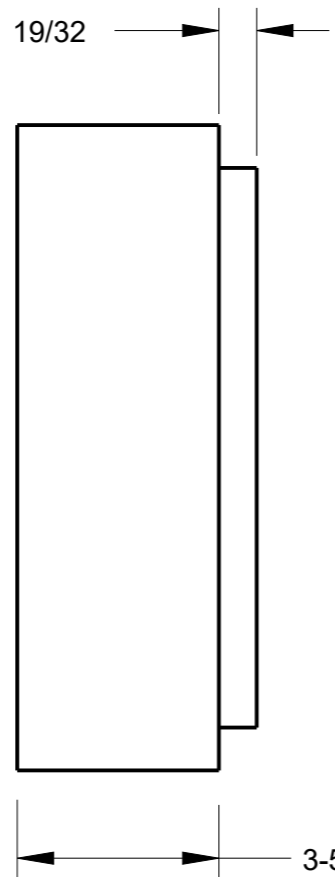
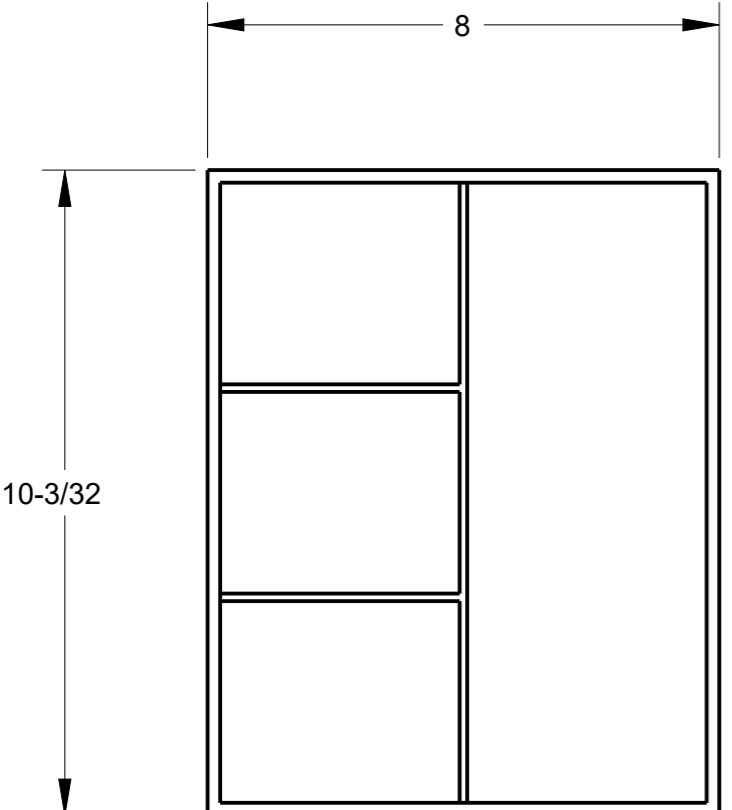


ACRYLIC BIN MODULE SHOWN



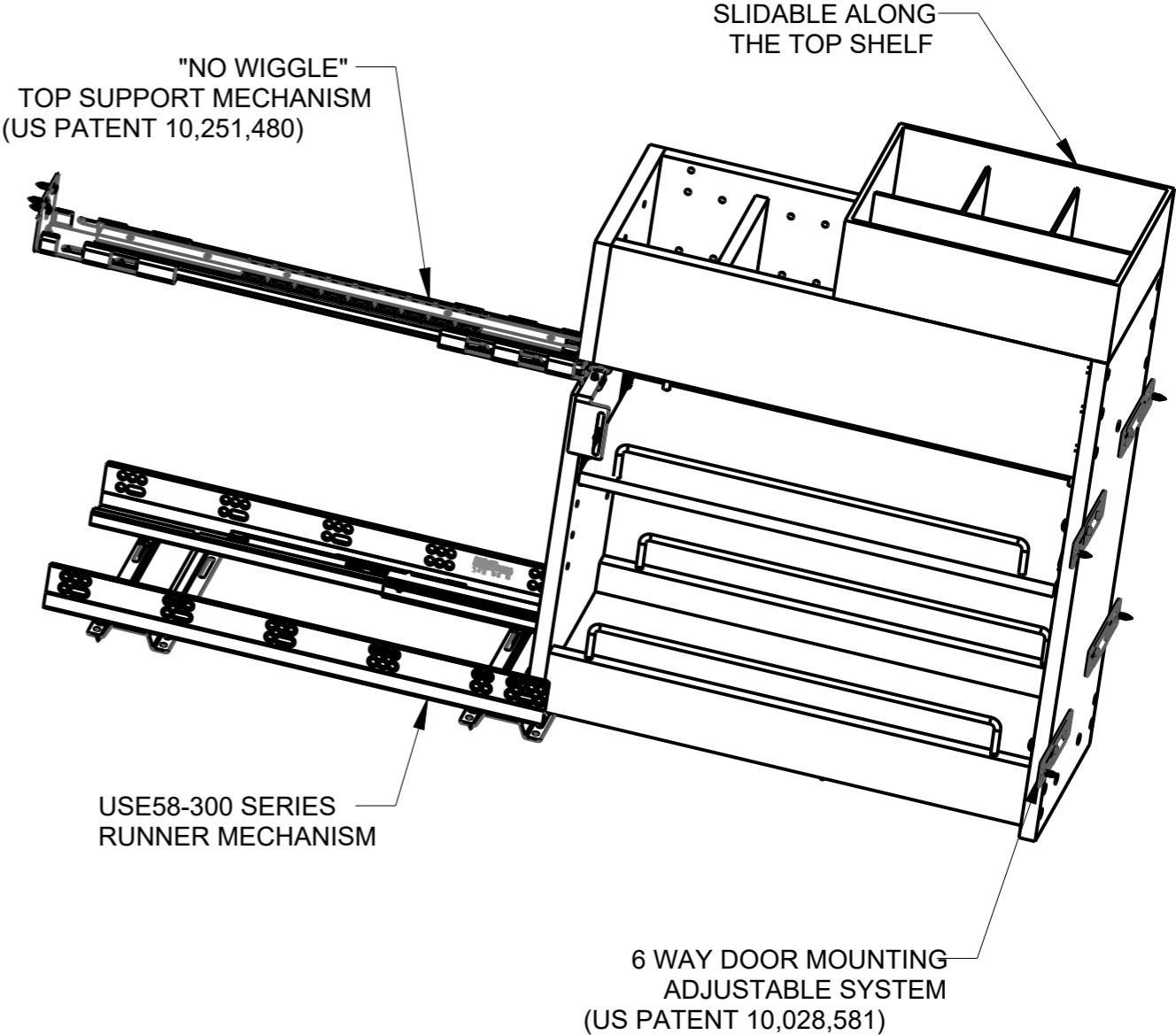
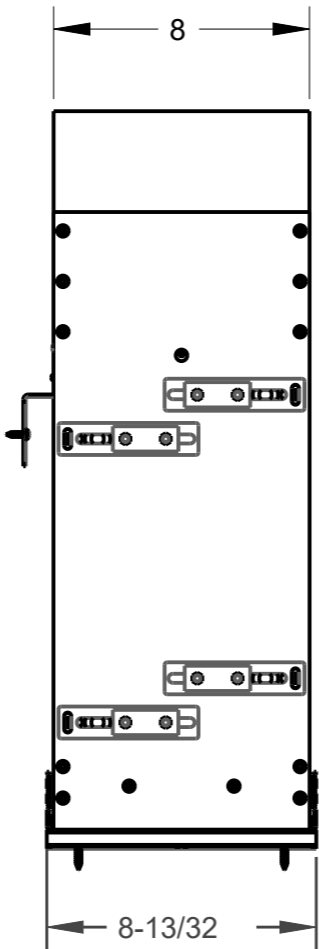
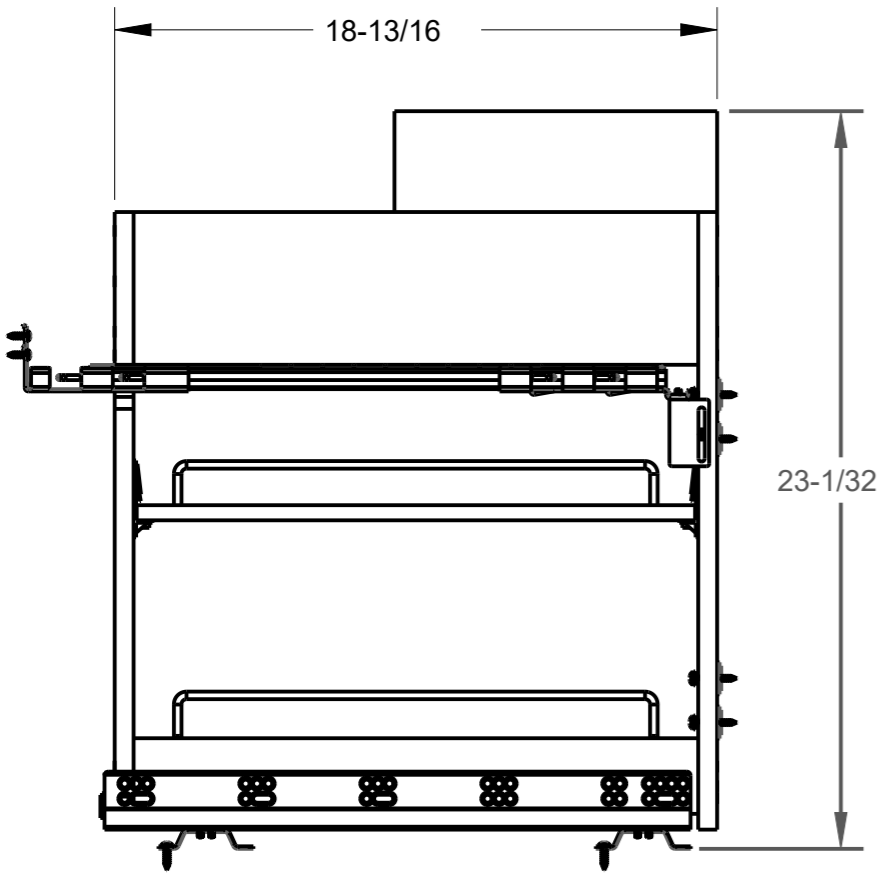
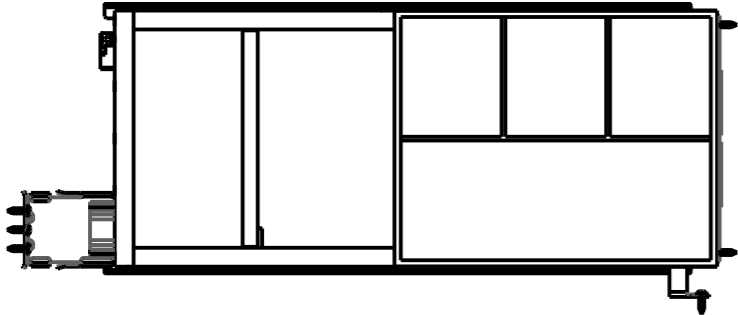
HARDWARE RESOURCES RESERVES THE RIGHT TO CHANGE SPECIFICATIONS WITHOUT NOTICE. IN CASE OF A DISCREPANCY, ACTUAL PART GEOMETRY SUPERSEDES THIS DOCUMENT.

THE INFORMATION CONTAINED WITHIN THIS DRAWING IS THE SOLE PROPERTY OF HARDWARE RESOURCES INC. ANY REPRODUCTION IN PART OR WHOLE WITHOUT WRITTEN PERMISSION OF HARDWARE RESOURCES INC. IS PROHIBITED.

DOCUMENT STATUS Released	
UNLESS OTHERWISE SPECIFIED DIMENSIONS ARE IN INCHES (IN)	
MATERIAL ACRYLIC	FINISH N/A
THIRD ANGLE PROJECTION 	DATE 15MAR17

DESCRIPTION VANITY ORGANIZER SYSTEM, ACRYLIC BIN MODULE		
DRAWING NUMBER VBPO-T01		REV B
SIZE A3	SCALE 1:3	SHEET 1 / 2

ACRYLIC BIN MODULE (VBPO-T01) INSTALLED ON TOP OF VANITY BASE PULLOUT MODULE (VBPO8-SC, SOLD SEPARATELY)



DRAWING NUMBER VBPO-T01		REV B
SIZE A3	SCALE 17:192	SHEET 2 / 2
DOCUMENT STATUS		Released