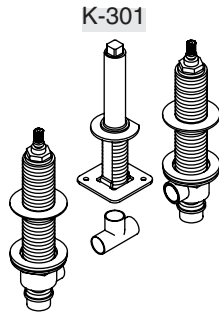


# Installation Guide

## 3/4" High-Flow Deck/Rim Mount Bath Valve

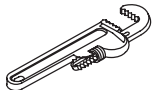


**M** product numbers are for Mexico (i.e. K-12345**M**)  
Los números de productos seguidos de  
**M** corresponden a México (Ej.  
K-12345**M**)  
Français, page "Français-1"  
Español, página "Español-1"

THE BOLD LOOK  
OF **KOHLER**®

113969-2-AC

## Tools and Materials



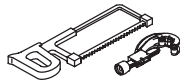
Pipe  
Wrench



Adjustable  
Wrench



Strap  
Wrench



Hacksaw or  
Tubing Cutter

Plus:

- Wood Screws
- Rags



Assorted  
Screwdrivers



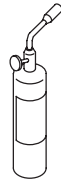
Plumbers  
Putty



Thread  
Sealant



Solder



Propane  
Torch

## Thank You For Choosing Kohler Company

Thank you for choosing Kohler Company. Your Kohler Company product reflects the true passion for design, craftsmanship, artistry, and innovation Kohler Company stands for. We are confident its dependability and beauty will surpass your highest expectations, satisfying you for years to come.

All the information in this guide is based upon the latest product information available at the time of publication. At Kohler Company, we strive to fulfill our mission of improving the level of gracious living for each person who is touched by our products and services. We reserve the right to make changes in product characteristics, packaging, or availability at any time without notice.

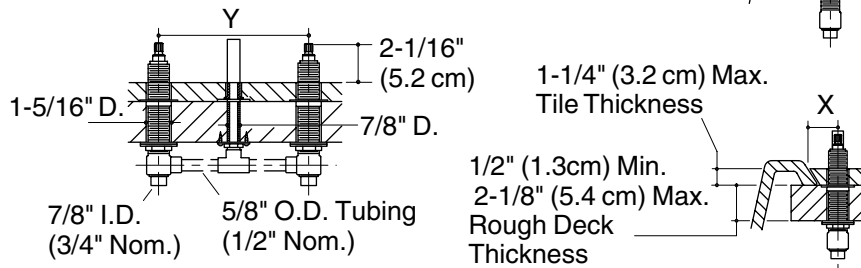
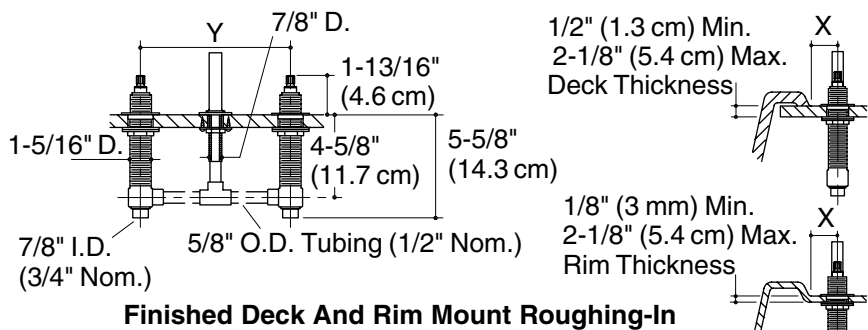
Please take a few minutes to review this guide. If you encounter any installation or performance problems, please call 1-800-4KOHLER (1-800-456-4537) from within the USA and Canada, or 001-877-680-1310 from within Mexico.

## Before You Begin

- Observe all local plumbing and building codes.
- Shut off the water supply.

### **Before You Begin (cont.)**

- Instructions are given for installations with 8" (20.3 cm) centers. For wider installations, adjust all roughing-in dimensions and copper tube lengths accordingly. If the spout is to be installed more than 24" (61 cm) from the valves, Kohler recommends installing a Sioux Chief 652-AD water hammer arrestor designed for this type of installation. Install the water hammer arrestor close to the outlet ports of the valves. For more information contact Sioux Chief at [www.siouxchief.com](http://www.siouxchief.com).
- Products purchased separately may change valve placement and alignment.
- These instructions cover two methods of installation: installation on finished deck or rim, and installation on rough (unfinished) deck. Follow the sections and directions that pertain to your installation.
- Provide an access panel to the valves for servicing.
- Installer-supplied copper tubing is to be: 5/8" OD (1/2" Nom.); and 7/8" OD (3/4" Nom.) for inlets.
- Plaster guard diameters are approximately 1-5/8" (4.1 cm) for the valve, and 7/8" (2.2 cm) for the spout.
- The finished deck material must fit closely to the diameters of the plastic guards.
- The spout plaster guard diameter is 7/8" (2.2 cm) for the spout.
- Leave the protective sleeve on the spout supply tube until spout installation. This is an O-ring sealing surface which may be damaged when unprotected.
- Kohler Co. reserves the right to make revisions in the design of faucets without notice, as specified in the Price Book.



## 1. Prepare the Site

- X = the distance from the centerline of the spout inlet base to the front of the spout base plus 1/2" (2.5 cm).
- Y = the distance between the valve centerlines varies. Check the handle and spout installation instructions for exact dimensions.
- Install or relocate the water supplies as needed.
- Protect the surfaces of the bath/deck during installation.
- Ensure that holes drilled into the deck are not oversized. The spout and valves require adequate base material strength and maximum contact area with the deck.

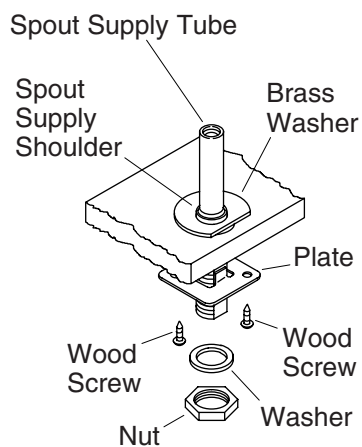
**NOTE:** Reinforcing material may be required if the deck or rim is thin. Install 1/2" exterior grade plywood before proceeding.

**NOTE:** For installations to be covered with tile, the tile thickness must not exceed 1-1/4" (3.2 cm).

- For installations with 8" (20.3 cm) centers using copper tubing (1/2" nominal, 5/8" OD), cut two 2-7/8" (7.3 cm) pieces and one 2-3/8" (6 cm) piece of tubing.

**Prepare the Site (cont.)**

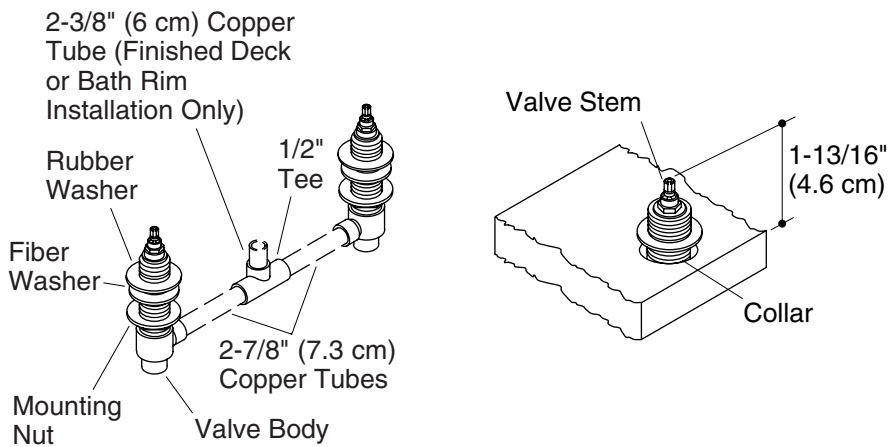
- The diameter of the spout hole should be 1-1/8" (2.9 cm) maximum.
- The diameter of the valve holes should be 1-1/2" (3.8 cm) maximum.



## 2. Install the Spout Supply Tube

**NOTE:** Leave the protective sleeve on the spout supply tube until the spout installation.

- Slide the brass washer from the bottom of the spout supply tube over the threads until it reaches the spout supply shoulder.
- Insert the spout supply tube through the mounting hole from the top of the deck/bath rim.
- The flat portion of the brass washer should face forward, and the countersunk holes should face up. The spout supply tube will be suspended by the brass washer.
- Slide the plate (oriented with the tabs toward the deck) and washer onto the spout supply tube from the bottom and thread on the nut.
- Tighten the nut.
- Secure the plate to the rough deck with two wood screws.



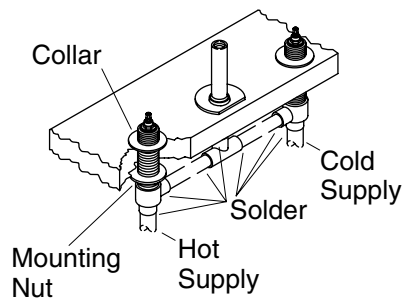
### 3. Install the Valves

**IMPORTANT! Do not solder the connections during this step.**

- ❑ Thread one mounting nut, flange side up, followed by one fiber washer and one rubber washers onto each valve body.
- ❑ Insert the 2-7/8" (7.3 cm) long copper tubes between the valve bodies and 1/2" tee.
- ❑ For a finished deck or bath rim installation only, insert the 2-3/8" (6 cm) long copper tube into the top of the tee.

**NOTE:** Orient the valve body marked "COLD" so it is on the right when facing the front of the faucet.

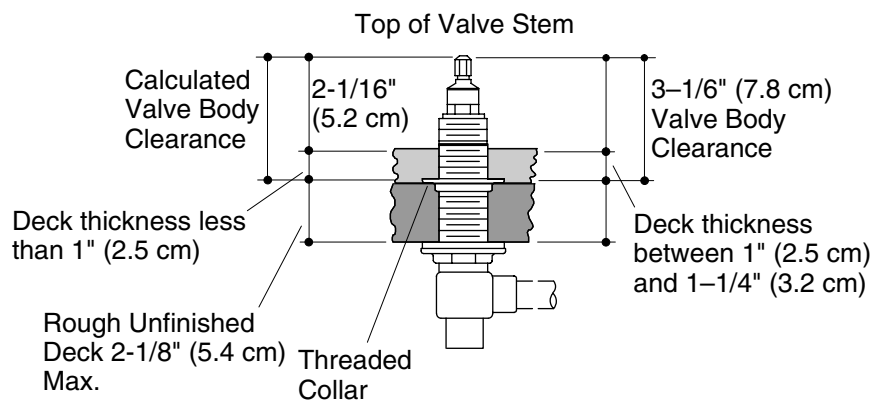
- ❑ Insert the valve bodies through the mounting holes from the bottom of the deck/rim.
- ❑ Hold the tube in place.
- ❑ Place a collar, flange side up, on each valve body and thread them down to at least 1-13/16" (4.6 cm) from the top of the valve stem.



#### 4. Installation on Finished Deck or Rim

**NOTE:** For installation on a rough (unfinished) deck, proceed to the "Installation on Rough (Unfinished) Deck" section.

- Tighten the mounting nuts on each valve body from underneath the deck/rim.
- Solder the copper tubes to the valve bodies, tee and spout supply tube.
- Solder the hot and cold water tubes to the valve body inlets (not shown). Make sure that the cold supply is on the right side.
- Go to the "Check Operation of Valves" section.



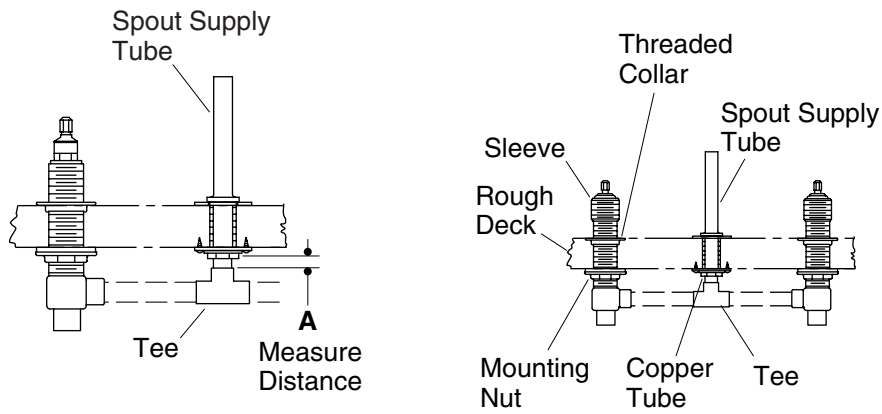
## 5. Installation on Rough Deck

### When the tile or deck material is less than 1" (2.5 cm) thick:

- Add the thickness of the tile/deck material to 2-1/16" (5.2 cm) to get the installation height for the valve bodies.
- **Deck Material + 2-1/16" (5.2 cm) = Installation Height**
- Note this dimension. You will need to use it again after connecting the supply tube.
- Adjust the threaded collar until the dimension from the top of the valve stem to the top of the rough deck surface equals the determined clearance.

### When the tile or deck material is between 1" (2.5 cm) to 1-1/4" (3.2 cm) thick:

- Thread the collar down onto each of the valve bodies until the top of the valve stem is 3-1/16" (7.8 cm) above the surface of the rough deck.

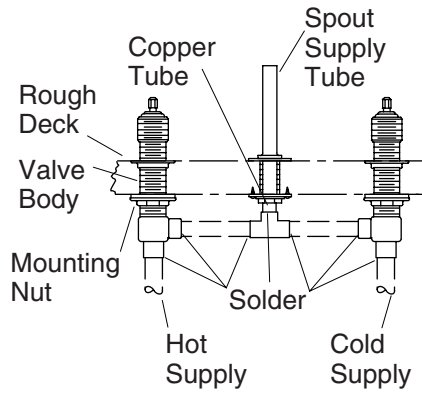
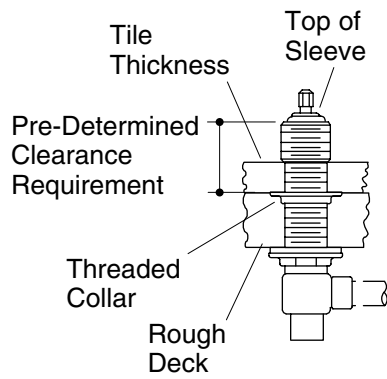


## 6. Install the Tubing - Rough Deck Installations

- Measure the distance from the bottom of the spout supply tube to the top of the tee.
- Add 1" (2.5 cm) to this measurement, and cut a piece of 1/2" Nom. (5/8" O.D.) copper tubing to fit into the supply tube and tee port.
- Back off the threaded collars as far as possible without removing them.
- Pivot the valve bodies enough to remove the tee and two pieces of tubing.

**NOTE:** If the valve body holes are smaller than recommended, it may be necessary to remove the entire valve body assembly.

- Install the tubing into the tee.
- Mate the copper tube from the tee with the spout supply tube.
- Pivot the valve bodies onto the two pieces of copper tubing.
- DO NOT solder at this time.



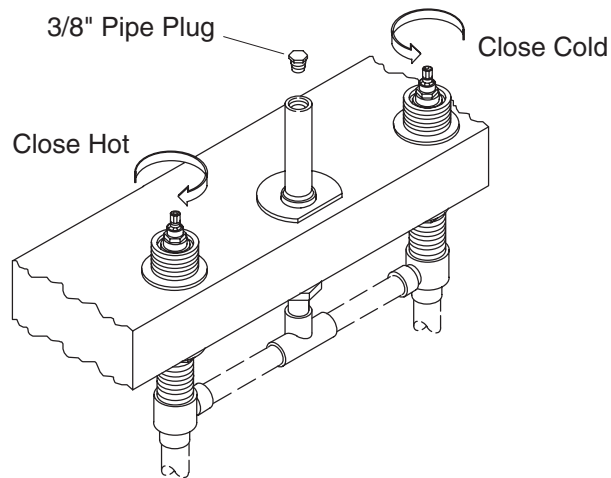
## 7. Complete Installation on Rough Deck

### Reset the Valve Body Height

- Adjust the threaded collars until the dimension from the top of the sleeve to the top of the rough deck equals the clearance requirement calculated earlier.

### Solder the Connections

- Tighten the mounting nuts on each valve body under the deck.
- Solder the copper tubes to the valve bodies, tee and spout supply tube.
- Make sure that the cold supply is on the right side.
- Solder the hot and cold water supply tubes to the valve body inlets.

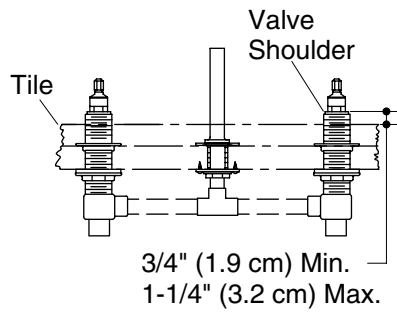


## 8. Check Operation of Valves



**WARNING: Risk of personal injury.** Wrap a cloth towel around the pipe plug to prevent water spray. Water will purge from the supply tube when you remove the plug.

- Thread a 3/8" pipe plug into the top of the spout supply tube.
- Ensure that the valves are in the closed position. Turn the cold valve fully counterclockwise. Turn the hot valve fully clockwise.
- Turn on the main water supply.
- Check the complete installation for leaks with the valves closed and open.
- Repair leaks as needed.
- Close both valves and turn off the main water supply.
- Carefully loosen the pipe plug to remove pressure.
- Thread the pipe plug back into the spout supply tube.
- Install the cardboard plaster guards over both valves and the spout supply tube.



## 9. Install Tile (If Applicable)

- Verify that there will be a 3/4" (1.9 cm) to 1-1/4" (3.2 cm) distance from the top of the valve shoulder to the top of the tile. If there is not, correct the valve clearance as described earlier.
- Install the tile up to the plaster guards on the valves and the spout supply tube.