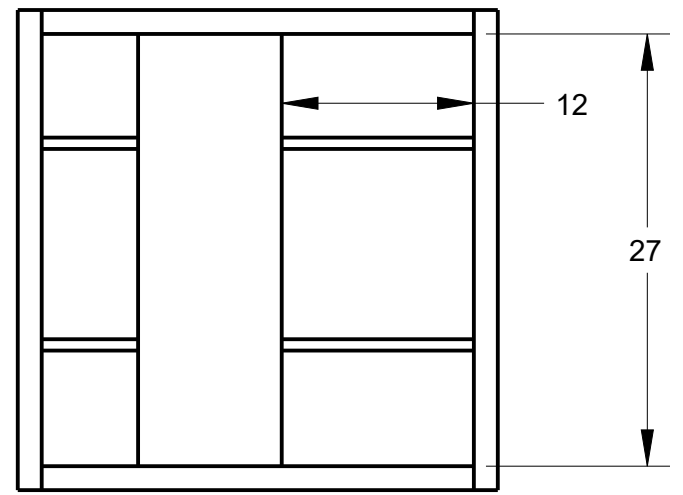
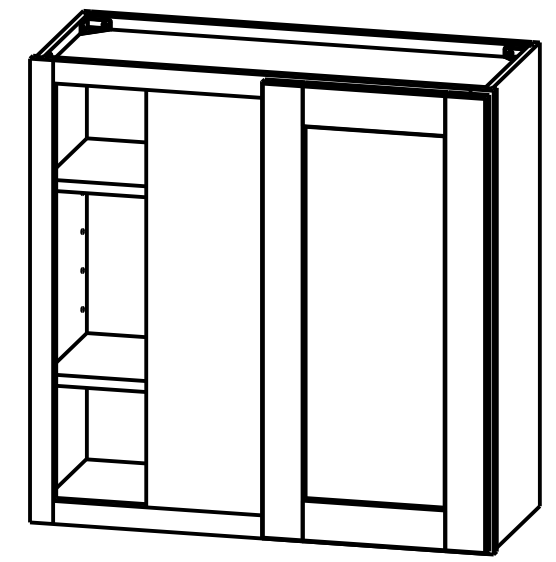
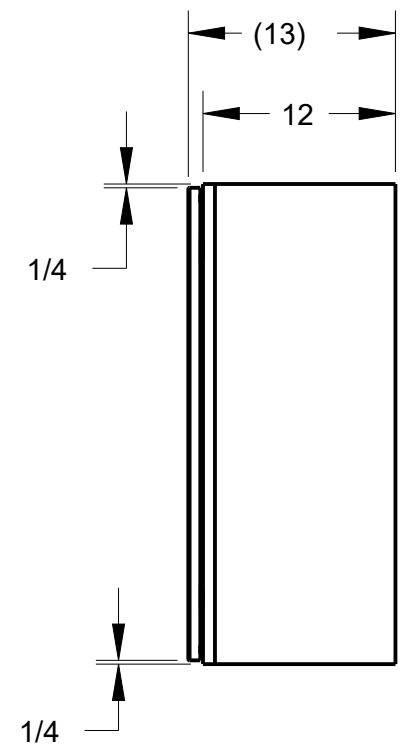
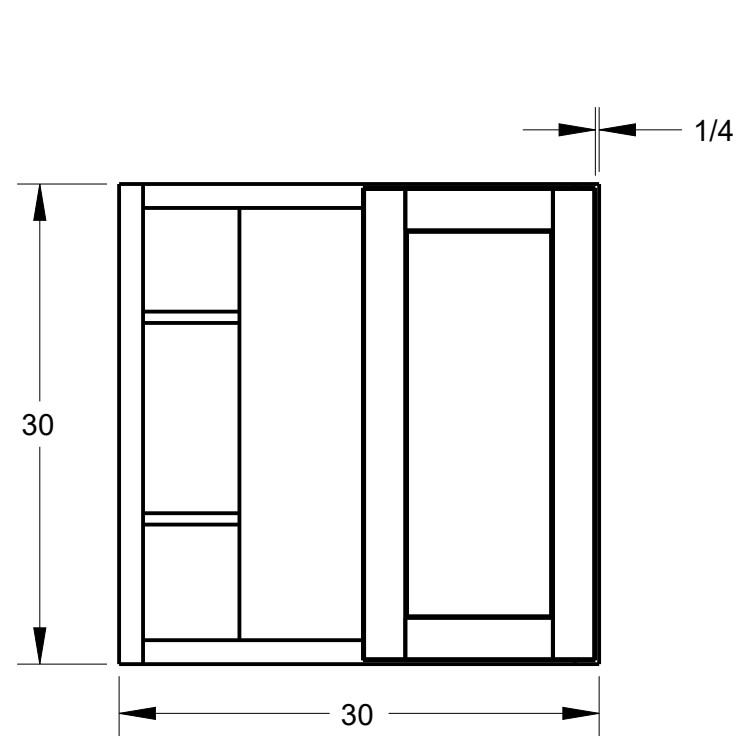


8 7 6 5 4 3 2 1

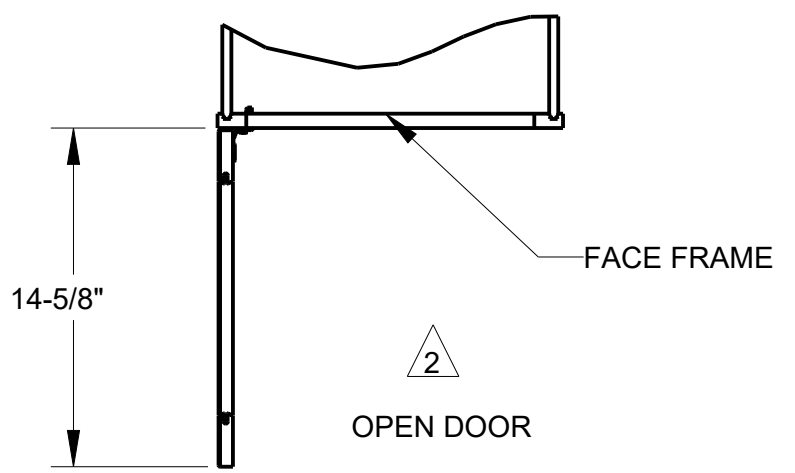
NOTE:

- 1 3" FILLER SOLD SEPERATELY.
- 2 OPEN DOOR VIEW INCLUDES HINGE SPACE OFFSET.

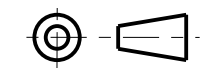
DOOR SIZE
ROUNDED TO THE NEAREST 1/32
14 17/32" X 29 17/32"



CABINET DOOR OPENING



THIRD ANGLE PROJECTION



MATERIAL N/A	FINISH N/A
DRAWN BY E.GOLESTANYAN	DATE 23MAR2020
DESIGNED BY NORTHPOINT	DATE
APPROVED BY GREG DAVIS	DATE 30MAR2020



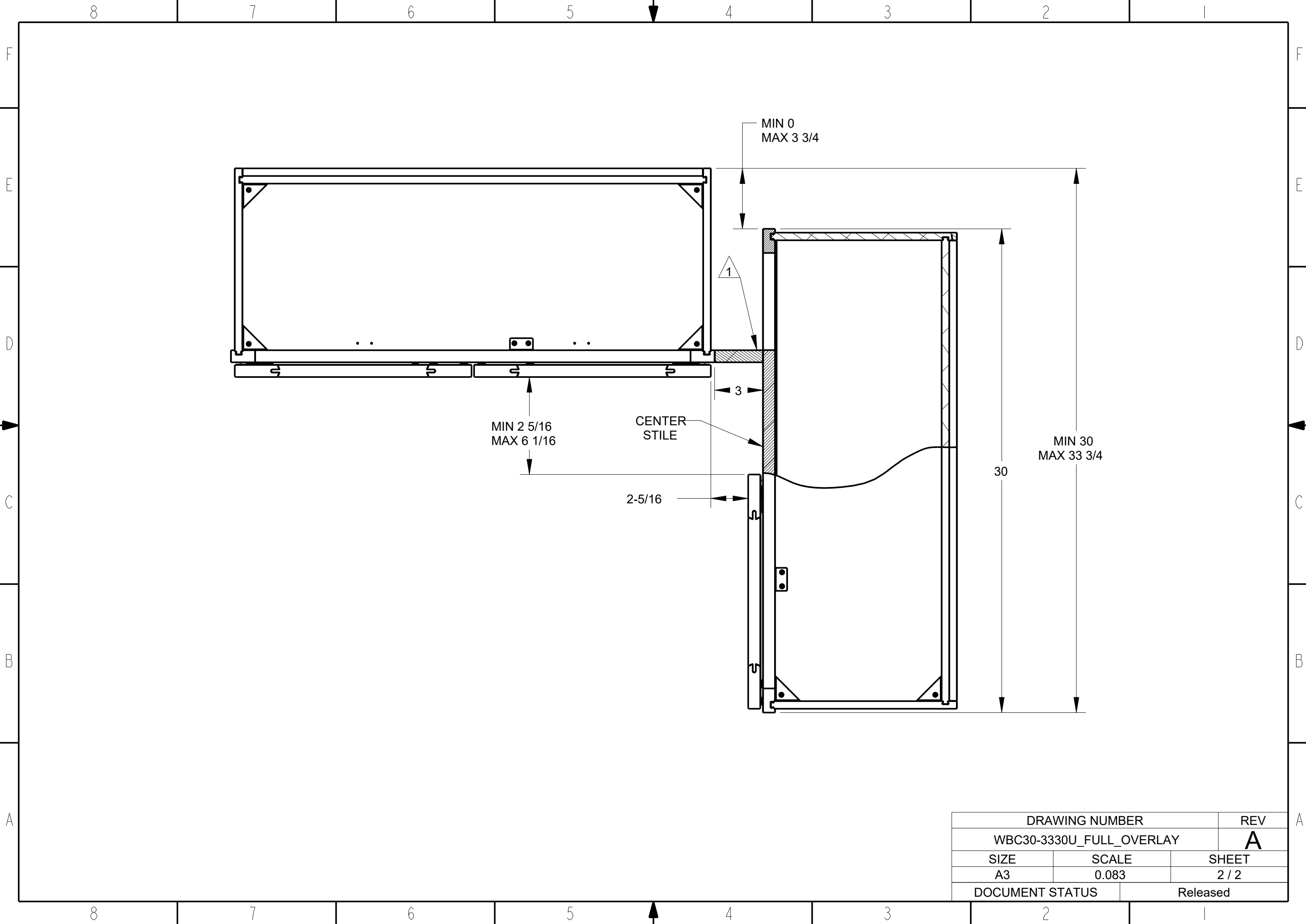
DESCRIPTION		
WBC30-3330U FULL OVERLAY		
DRAWING NUMBER	REV	
WBC30-3330U_FULL_OVERLAY	A	
SIZE	SCALE	SHEET
A3	0.083	1 / 2

DOCUMENT STATUS	Released
-----------------	----------

HARDWARE RESOURCES RESERVES THE RIGHT TO CHANGE SPECIFICATIONS WITHOUT NOTICE. IN CASE OF A DISCREPANCY, ACTUAL PART GEOMETRY SUPERSEDES THIS DOCUMENT.

THE INFORMATION CONTAINED WITHIN THIS DRAWING IS THE SOLE PROPERTY OF HARDWARE RESOURCES INC. ANY REPRODUCTION IN PART OR WHOLE WITHOUT WRITTEN PERMISSION OF HARDWARE RESOURCES INC. IS PROHIBITED.

8 7 6 5 4 3 2 1



DRAWING NUMBER		REV
WBC30-3330U_FULL_OVERLAY		A
SIZE	SCALE	SHEET
A3	0.083	2 / 2
DOCUMENT STATUS		Released