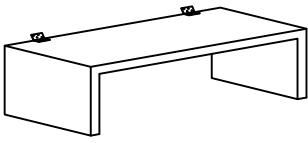


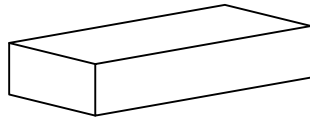
ASSEMBLY INSTRUCTION

CONVERTIBLE SETTEE

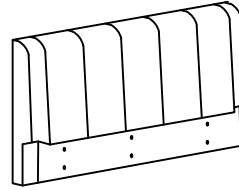
A Convertible Frame **B** Seat Frame **C** Back Frame **D** Folding Cushion



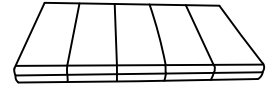
1pc



1pc



1pc



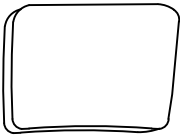
1pc

E Back Cushion

F Pillow

G Leg

H Bolt
Ø8x80



2pcs



2pcs



4pcs



6pcs

I Hex Nut
Ø8x14mm

J Flat Washer
Ø8x19mm

K Spanner
M14

L Screw
M4x30



6pcs



6pcs

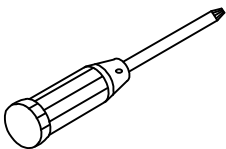


1pc

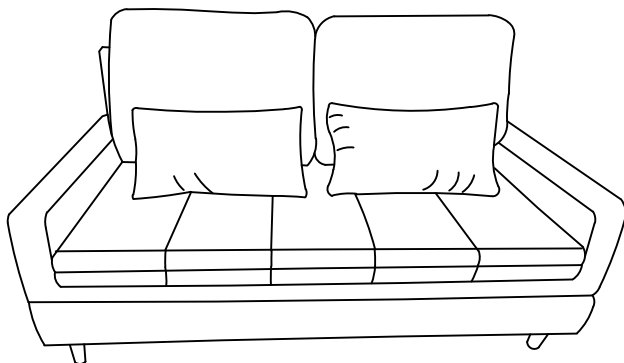


8pcs

M Screwdriver
(Not Provided)

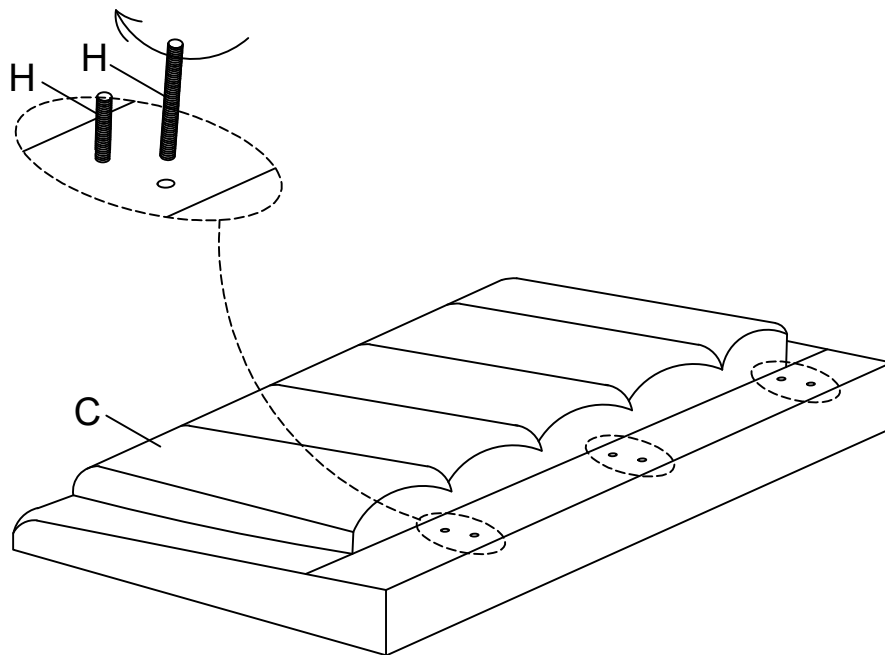


1pc

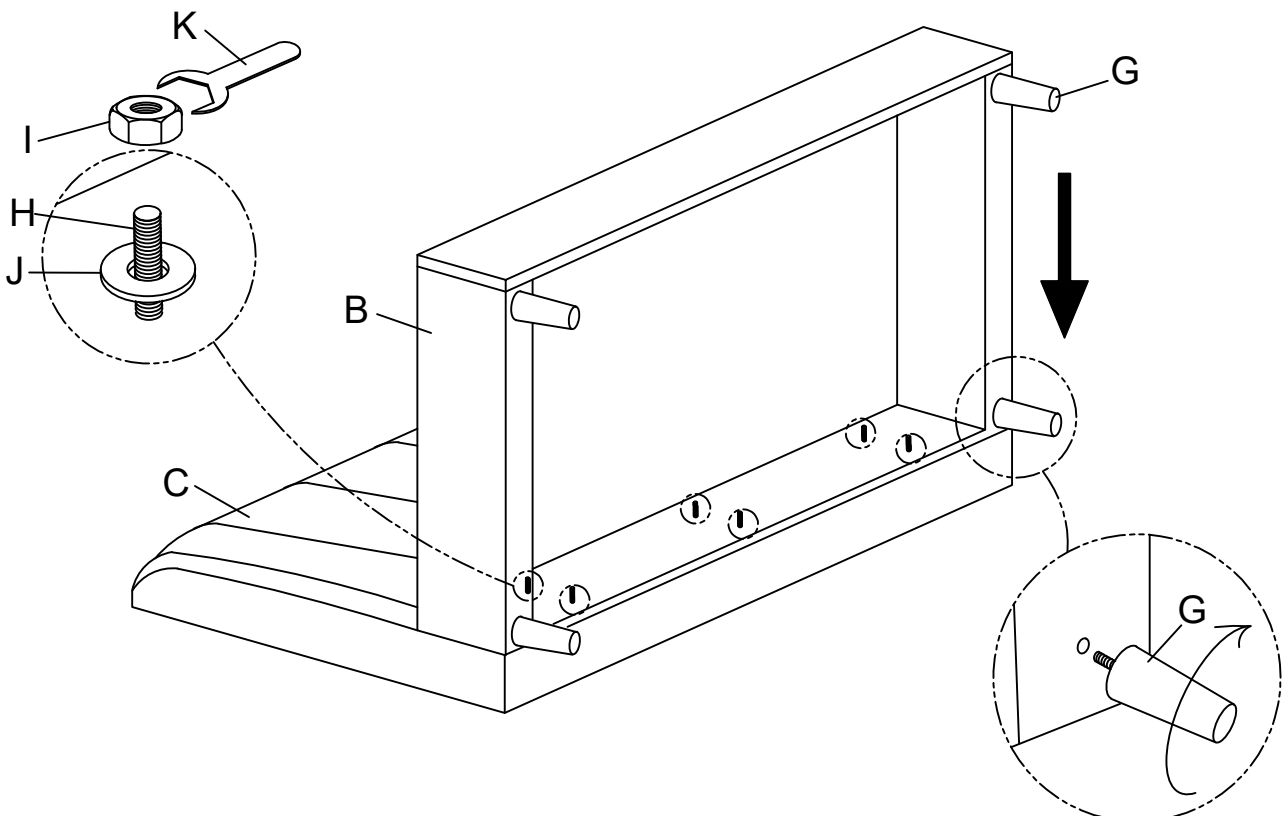


This page lists all the contents included in the box. Please take the time to identify the hardware as well as the individual components to this product. As you unpack and prepare for assembly, place the contents on a carpeted or padded area to protect them from damage.

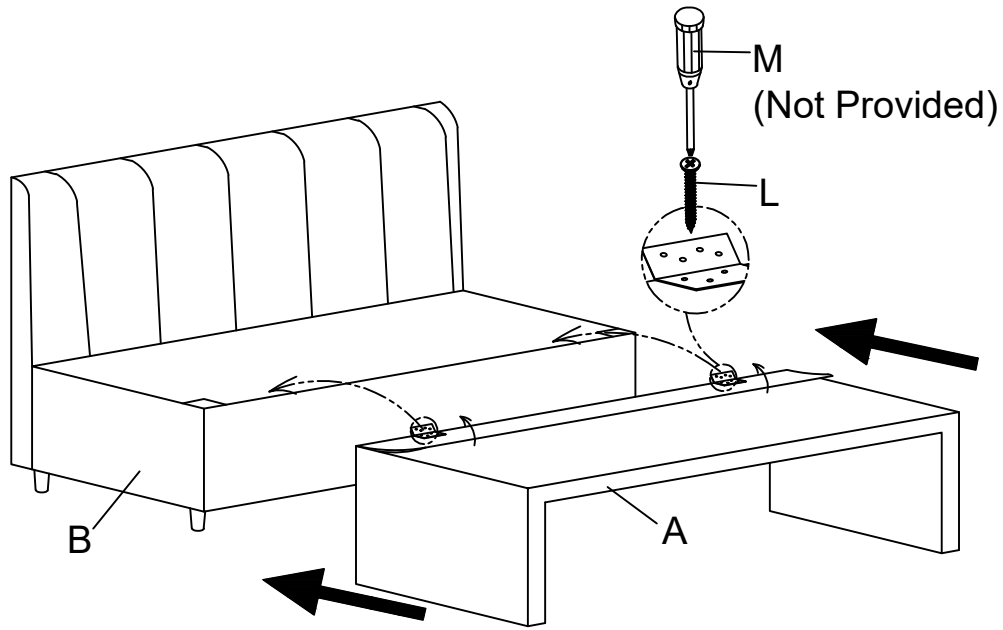
1 Assemble Bolt (H) to Back Frame (C) as below shown.



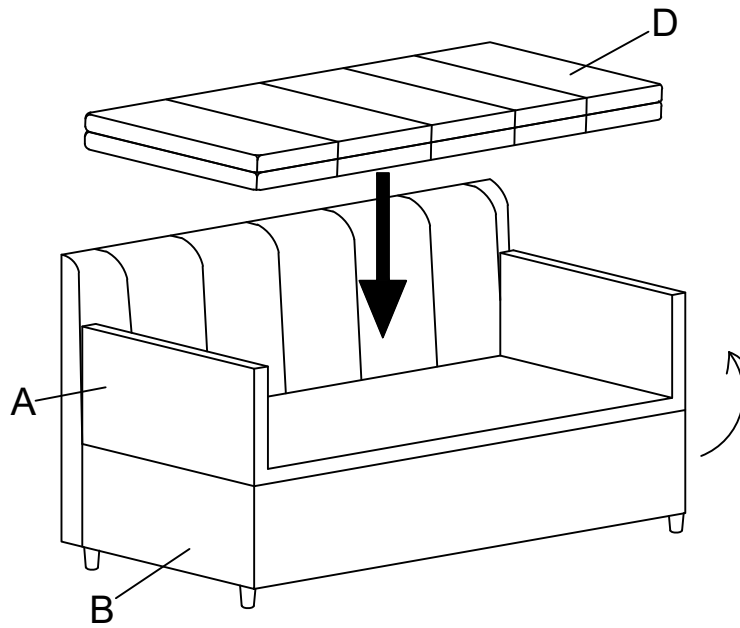
2 Rotate the Leg (G) to the pre-drilled holes of Seat Frame (B) tightly. Assemble Seat Frame (B) to Back Frame (C), using Hex Nut (I) & Flat Washer (J) to lock with Bolt (H) by Spanner (K) as below shown.



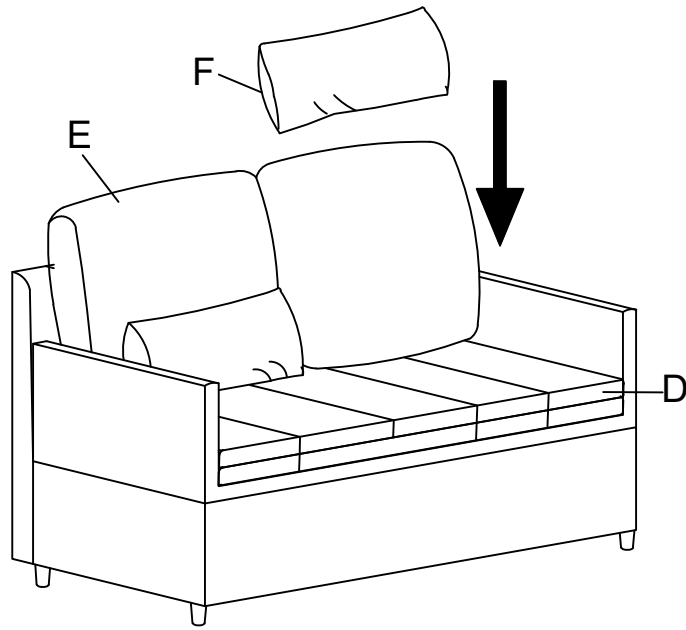
3 Assemble Convertible Frame (A) to Seat Frame (B) with Screw (L) by Screwdriver (M) as below shown.



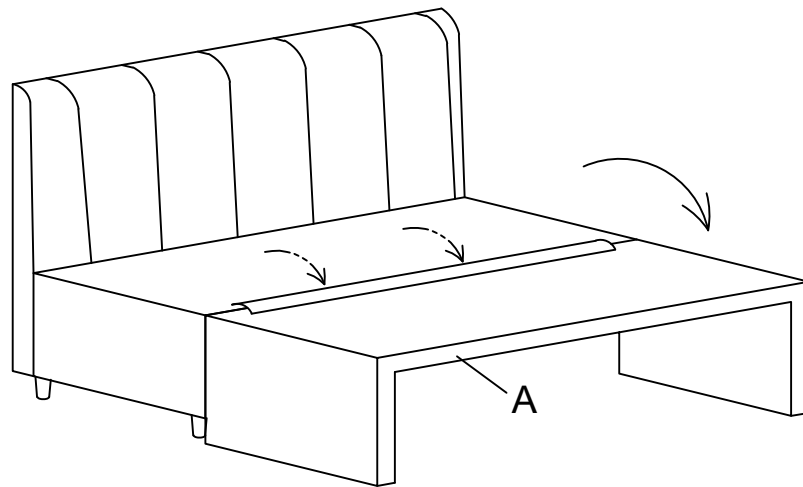
4 Fold Convertible Frame (A) back to Seat Frame (B), then put Folding Cushion (D) on Convertible Frame (A) as below shown.



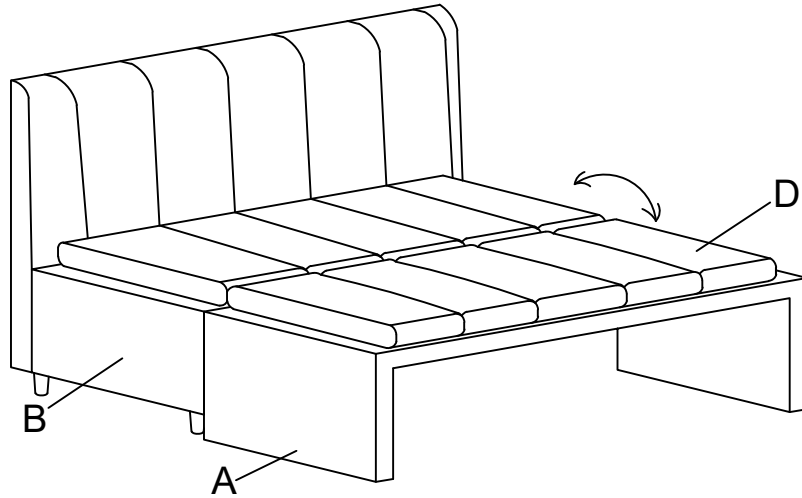
5 Place Back Cushion (E) & Pillow (F) on Folding Cushion (D) as below shown.



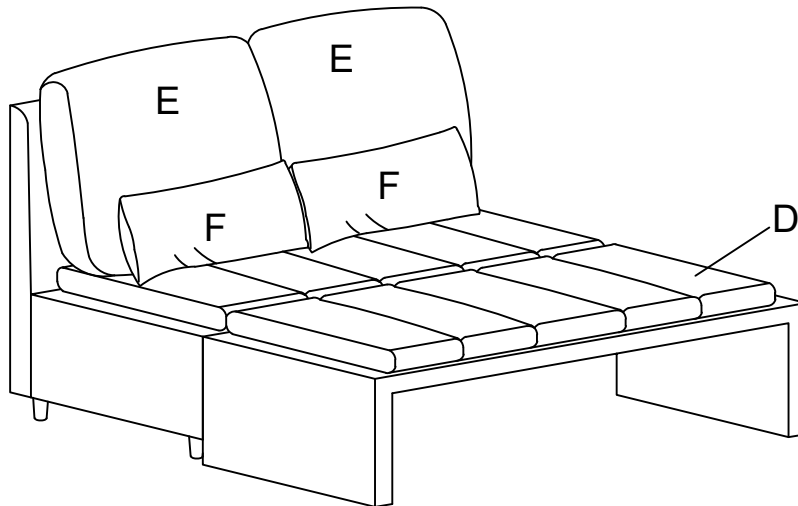
6 Remark: You can convert the settee to be a bed as below steps if needed.
Step1: Un-fold the Convertible Frame (A) as below shown.



-
- 7** Step 2: Spread the Folding Cushion (D) on Convertible Frame (A) & Seat Frame (B) as below shown.



-
- 8** Stop 3: Place Back Cushion (E) and Pillow (F) on Folding Cushion (D) as below shown.



Cleaning & Care

Treat surface with care. Surface is resistant to scratches but is not scratch resistant. Clean surfaces with a dry or damp soft cloth. Do not use abrasive cleaners. Hardware may loosen over time. Periodically check that all connections are tight.